

Bürkert

Spare Parts Catalogue

Bürkert Fluid Control Systems
Christian-Bürkert-Straße 13-17
74653 Ingelfingen
Tel: +49 7940 100
Fax: +49 7940 1091 1204
info@buerkert.com
www.burkert.com

Spare Parts Catalogue

bürkert
FLUID CONTROL SYSTEMS

bürkert

Subject to Change

The right is reserved to change any technical or price information.

Technical information

The technical data in the tables are minimum ordering information. For complete Information for your specific application, please see the technical data sheets.

All the technical data presented in this catalogue is valid at the time of printing. As we are continuously improving and developing our products, we reserve the right to introduce modifications to the technical data at any time. As a consequence, we cannot accept legal liability for the following information, nor for any printing mistakes that may have occurred.

The texts contained in this publication, photographs, technical drawings and any other additional materials are copyrighted property of Christian Bürkert GmbH & Co. KG. Any further use in print or electronic media without express permission or any form of reproduction, translation, recording on microfilm or saving in electronic systems without written permission of the Christian Bürkert GmbH & Co. KG is prohibited.

Christian Bürkert GmbH & Co. KG
Fluid Control Systems
Christian-Bürkert-Straße 13-17
DE-74653 Ingelfingen

How to find the correct spare and replacement part.

1 You need type and item number (see label on the full product).

Type number

Article number

2 The pages of the catalogue are arranged in ascending numerical type number.

Type number

3 The rows in the tables are arranged in numerical ascending part numbers.

Ordering Chart				
Article no. Complete unit	Diagram no.	Pos. 1 Order no.	Pos. 1 Valve / Material	Pos. 1 Spool set
018121	11	245720	024/50 FKM	015182
018348	11	245964	024/UC EPDM	015186
025870	11	245969	110/50 EPDM	015174
042886	12	245901	230/50 FKM Br	015167
042909	12	245961	230/50 FKM SISR	015165
043553	12	245963	230/50 EPDM SISR	015165
043654	12	245960	230/50 NBR SISR	015167
043659	12	245732	024/50 NBR SISR	015163
043616	12	245649	024/50 NBR Br	024348

4 In the second column next to the item number is the appropriate drawing number.

Article no. Complete unit	Diagram no.	Pos. 1 Order no.	Pos. 1 Valve / Material	Pos. 2 Order no.	Pos. 2 Consumable parts Valve / Material / Current type
018121	11	245720	024/50 FKM	015182	DN25 FKM SISR 50 Hz
018348	11	245964	024/UC EPDM	015186	DN25 EPDM SISR UC
025870	11	245969	110/50 EPDM	015174	DN20 EPDM SISR 50 Hz
042886	12	245901	230/50 FKM Br	024348	DN12 FKM Br/Fe 50/60 Hz
042888	12	245961	230/50 FKM SISR	015167	DN12 FKM SISR UC
043553	12	245963	230/50 EPDM SISR	015165	DN12 EPDM SISR
043654	12	245960	230/50 NBR SISR	015167	DN12 FKM SISR UC
043659	12	245732	024/50 NBR SISR	015163	DN12 NBR SISR 50/60 Hz

5 Select the drawing of the desired block with the corresponding item number. (In some cases the pages for the drawings fold out)

6 At the point where these two elements intersect you will find the appropriate article number of the required spare part.

Article no. Complete unit	Diagram no.	Pos. 1 Order no.	Pos. 1 Valve / Material	Pos. 2 Order no.	Pos. 2 Consumable parts Valve / Material / Current type
018121	11	245720	024/50 FKM	015182	DN25 FKM SISR 50 Hz
018348	11	245964	024/UC EPDM	015186	DN25 EPDM SISR UC
025870	11	245969	110/50 EPDM	015174	DN20 EPDM SISR 50 Hz
042909	12	245901	230/50 FKM Br	024348	DN12 FKM Br/Fe 50/60 Hz
042888	12	245961	230/50 FKM SISR	015167	DN12 FKM SISR UC
043553	12	245963	230/50 EPDM SISR	015165	DN12 EPDM SISR
043654	12	245960	230/50 NBR SISR	015167	DN12 FKM SISR UC
043659	12	245732	024/50 NBR SISR	015163	DN12 NBR SISR 50/60 Hz

Full Service Excellence from Bürkert

As a competent partner for your system solution and our products Bürkert offers, in addition to the engineering and the service that accompanies their systems, the complete product life cycle - **Full Service Excellence.**

This holistic service program provides you with an individual service module that is specifically tailored to your specific requirements.



The fitness program
for your complete system.



The maintenance modules

- ✓ **Free screening plant**, see page 37
- ✓ **Modernization of facilities**, see page 91
- ✓ **Industrial Full Service**, see page 106
- ✓ **Production support commissioning**, see page 132
- ✓ **Maintenance / Revision**, see page 147
- ✓ **On-site calibration**, see page 181
- ✓ **Fault elimination (fast response)**, see page 193
- ✓ **Worldwide utilisation planning**, see page 199
- ✓ **Reference measurement**, see page 207
- ✓ **Stock of spare parts**, see page 214
- ✓ **Cost reduction through service packages**

Full Service Excellence from Bürkert

Advantages at a glance

- ✓ Value retention of your system
- ✓ Individually tailored maintenance contracts
- ✓ Cost transparency for a long period
- ✓ Straightforward handling
- ✓ Low self maintenance
- ✓ Shorter downtimes
- ✓ Guaranteed Resource Scheduling
- ✓ Expertise in the field of valve technology
- ✓ Availability



Take your chance for a free plant screening and fill out the voucher or contact our technology centre direct.

Voucher

for a free system screening, including documentation and exact maintenance recommendation

We want full service excellence Bürkert know-how and accept your offer of free plant screening gladly. Please contact us for an appointment

Please detach and fax it to: +49 7940 10 91 428
Tel. appointment: +49 7940 10 91 110
or also per E-Mail: technik@burkert.com

Firm _____

Name/Christian name _____

Telephone _____

E-Mail _____

Date/Signature _____



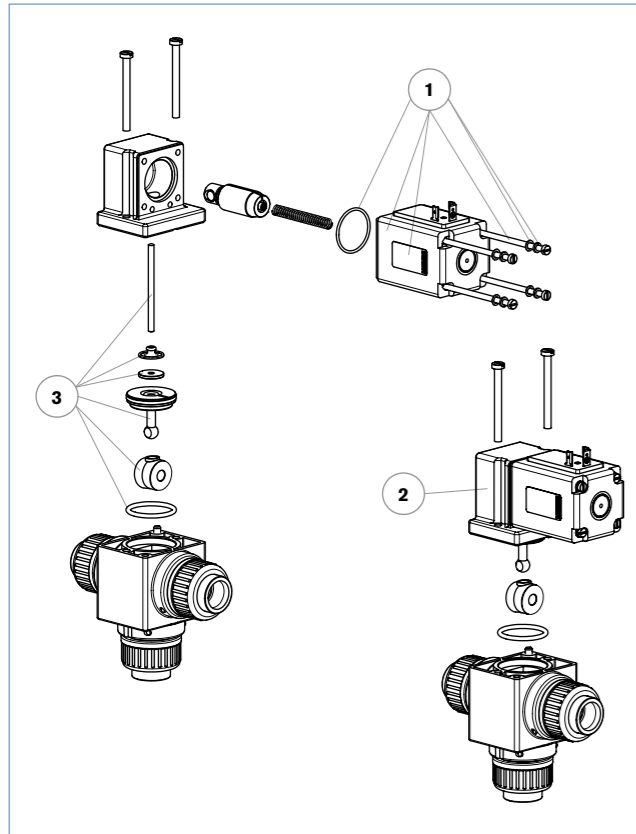
The Bürkert Technical Centre | **always there for you**

Telephone: +49 7940 10 91 110
Fax: +49 7940 10 91 428
Email: technik@burkert.com



2/2 and 3/2 way solenoid valve for aggressive mediums

Diagram 1



2/2 and 3/2 way solenoid valve for aggressive mediums

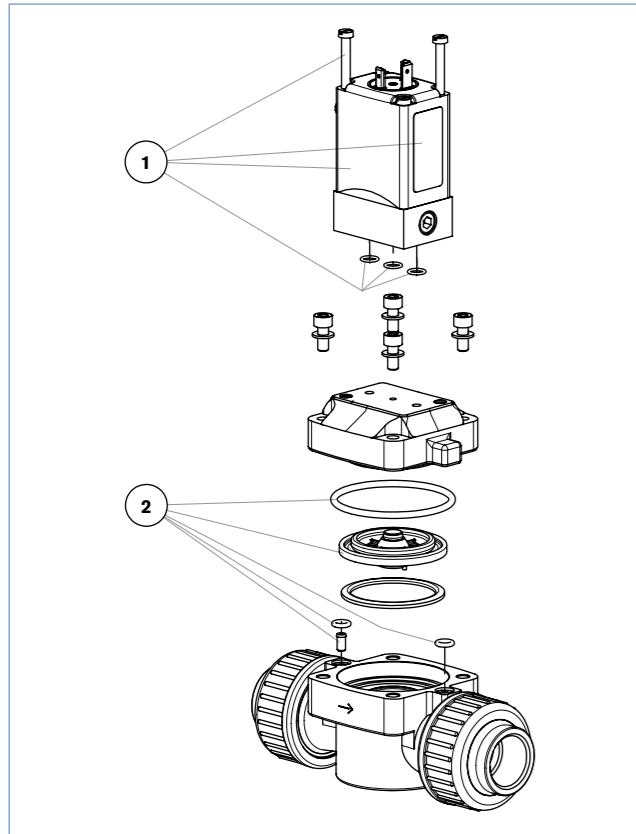
Ordering Chart

Article no. Complete unit	Diagram no.	Pos. 1 Spool set		Pos. 2 Actuator set		Pos. 3 Consumable parts	
		Order no.	V/Hz	Order no.	Circuit function / V/Hz	Order no.	Orifice / Material
020687	1	237188	230/UC			015090	DN15 FPM
040921	1	237185	024/50	619668	WWD/F 024/50	015094	DN20 EPDM
041272	1	237189	024/UC	616924	WWB 024/UC	015092	DN10 EPDM
042477	1	237185	024/50	616907	WWA 024/50	015092	DN10 EPDM
045225	1	237189	024/UC	014672	WWA 024/UC	015094	DN20 EPDM
046949	1	237189	024/UC	014672	WWA 024/UC	015092	DN10 EPDM
047915	1	237189	024/UC	014672	WWA 024/UC	015089	DN10 FPM
048365	1	237185	024/50	619668	WWD/F 024/50	015089	DN10 FPM
049883	1	237189	024/UC	619641	WWD/F 024/UC	015093	DN15 EPDM
050443	1	219291	230/50	630822	WWA 230/50	015089	DN10 FPM
050549	1	219291	230/50	630822	WWA 230/50	015092	DN10 EPDM
050551	1	237185	024/50	616907	WWA 024/50	015091	DN20 FPM
050787	1	219291	230/50	630822	WWA 230/50	015090	DN15 FPM
050809	1	237189	024/UC	014672	WWA 024/UC	015093	DN15 EPDM
050904	1	219291	230/50	614753	WWD/F 230/50	015090	DN15 FPM
051028	1	237185	024/50	616907	WWA 024/50	015093	DN15 EPDM
051257	1	219291	230/50	630822	WWA 230/50	015094	DN20 EPDM
051351	1	219291	230/50	630822	WWA 230/50	015091	DN20 FPM
051641	1	237185	024/50	616907	WWA 024/50	015090	DN15 FPM
051748	1	237188	230/UC			015094	DN20 EPDM
052071	1	219291	230/50	614753	WWD/F 230/50	015093	DN15 EPDM
052183	1	219291	230/50	614753	WWD/F 230/50	015089	DN10 FPM
052546	1	219291	230/50	614753	WWD/F 230/50	015092	DN10 EPDM
052619	1	219291	230/50	614753	WWD/F 230/50	015089	DN10 FPM
052953	1	237185	024/50	616907	WWA 024/50	015089	DN10 FPM
053221	1	237188	230/UC	616922	WWB 230/UC	015089	DN10 FPM
053882	1	237189	024/UC	014672	WWA 024/UC	015090	DN15 FPM
053992	1	237185	024/50	616907	WWA 024/50	015094	DN20 EPDM
054564	1	219291	230/50	614753	WWD/F 230/50	015094	DN20 EPDM
054831	1	219291	230/50	630822	WWA 230/50	015093	DN15 EPDM
055423	1	219291	230/50	630822	WWA 230/50	015093	DN15 EPDM
055770	1	237189	024/UC	619641	WWD/F 024/UC	015092	DN10 EPDM
055817	1	237185	024/50	616907	WWA 024/50	015089	DN10 FPM
056060	1	237189	024/UC	014672	WWA 024/UC	015089	DN10 FPM
056495	1	237189	024/UC	014672	WWA 024/UC	015091	DN20 FPM
056663	1	219291	230/50	630822	WWA 230/50	015090	DN15 FPM
056789	1	219291	230/50	630822	WWA 230/50	015089	DN10 FPM
056791	1	219291	230/50	630822	WWA 230/50	015092	DN10 EPDM
056795	1	219291	230/50	630822	WWA 230/50	015092	DN10 EPDM
057305	1	237185	024/50	619668	WWD/F 024/50	015090	DN15 FPM
058279	1	237185	024/50	619668	WWD/F 024/50	015093	DN15 EPDM
058362	1	237189	024/UC	619641	WWD/F 024/UC	015089	DN10 FPM
058363	1	237189	024/UC	619641	WWD/F 024/UC	015091	DN20 FPM
058710	1	237189	024/UC	619641	WWD/F 024/UC	015090	DN15 FPM
064266	1	237185	024/50	619668	WWD/F 024/50	015092	DN10 EPDM
065194	1	237189	024/UC	619641	WWD/F 024/UC	015089	DN10 FPM
066280	1	219291	230/50	614753	WWD/F 230/50	015091	DN20 FPM
067076	1	237189	024/UC	619641	WWD/F 024/UC	015094	DN20 EPDM
067832	1	237189	024/UC	014672	WWA 024/UC	015093	DN15 EPDM
068352	1	237185	024/50	619668	WWD/F 024/50	015091	DN20 FPM



2/2 way solenoid valve for aggressive mediums

Diagram 2



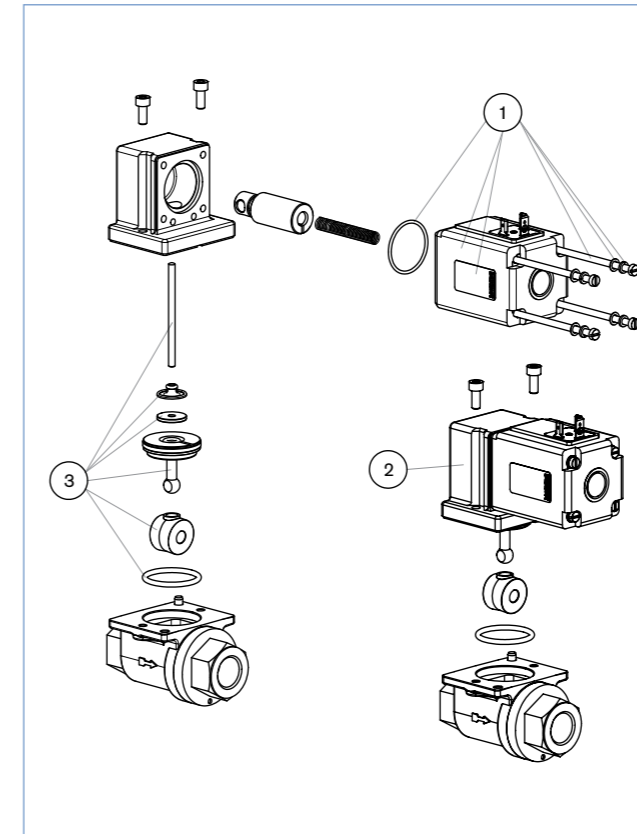
Ordering Chart

Article no. Complete unit	Diagram no.	Pos. 1 Pilot control, Type 0125		Pos. 2 Consumable parts, PVC/PVDF	
		Order no.	V/Hz / Material	Order no.	Orifice / Material
041911	2	079664	230/50 EPDM	625614	DN15/20 EPDM
041934	2	078859	230/50 FKM	625613	DN15/20 FKM
041938	2	079020	024/DC FKM	625613	DN15/20 FKM
041980	2	079663	024/DC EPDM	625614	DN15/20 EPDM
041986	2	079664	230/50 EPDM	625614	DN15/20 EPDM
042005	2	078859	230/50 FKM	625613	DN15/20 FKM
042008	2	079020	024/DC FKM	625613	DN15/20 FKM
042045	2	079663	024/DC EPDM	625614	DN15/20 EPDM
042047	2	079663	024/DC EPDM	625617	DN25/32 EPDM
042079	2	079020	024/DC FKM	625616	DN25/32 FKM
042113	2	078859	230/50 FKM	625616	DN25/32 FKM
042126	2	079664	230/50 EPDM	625617	DN25/32 EPDM
042128	2	079664	230/50 EPDM	625617	DN25/32 EPDM
042133	2	078859	230/50 FKM	625616	DN25/32 FKM
042169	2	079020	024/DC FKM	625616	DN25/32 FKM
042183	2	079663	024/DC EPDM	625617	DN25/32 EPDM
042195	2	079663	024/DC EPDM	625620	DN40/50 EPDM
042198	2	079020	024/DC FKM	625619	DN40/50 FKM
042245	2	078859	230/50 FKM	625619	DN40/50 FKM
042247	2	079664	230/50 EPDM	625620	DN40/50 EPDM
042261	2	079664	230/50 EPDM	625620	DN40/50 EPDM
042262	2	078859	230/50 FKM	625619	DN40/50 FKM
042264	2	079020	024/DC FKM	625619	DN40/50 FKM
042266	2	079663	024/DC EPDM	625620	DN40/50 EPDM
050898	2	079168	024/50 EPDM	625614	DN15/20 EPDM
050908	2	079168	024/50 EPDM	625614	DN15/20 EPDM
050916	2	079168	024/50 EPDM	625617	DN25/32 EPDM
050953	2	079019	024/50 FKM	625613	DN15/20 FKM
050954	2	079019	024/50 FKM	625613	DN15/20 FKM
050974	2	079019	024/50 FKM	625616	DN25/32 FKM
054887	2	079019	024/50 FKM	625619	DN40/50 FKM
067693	2	079168	024/50 EPDM	625620	DN40/50 EPDM
067699	2	079019	024/50 FKM	625619	DN40/50 FKM
067705	2	079168	024/50 EPDM	625620	DN40/50 EPDM



2/2 way solenoid valve for neutral mediums

Diagram 3



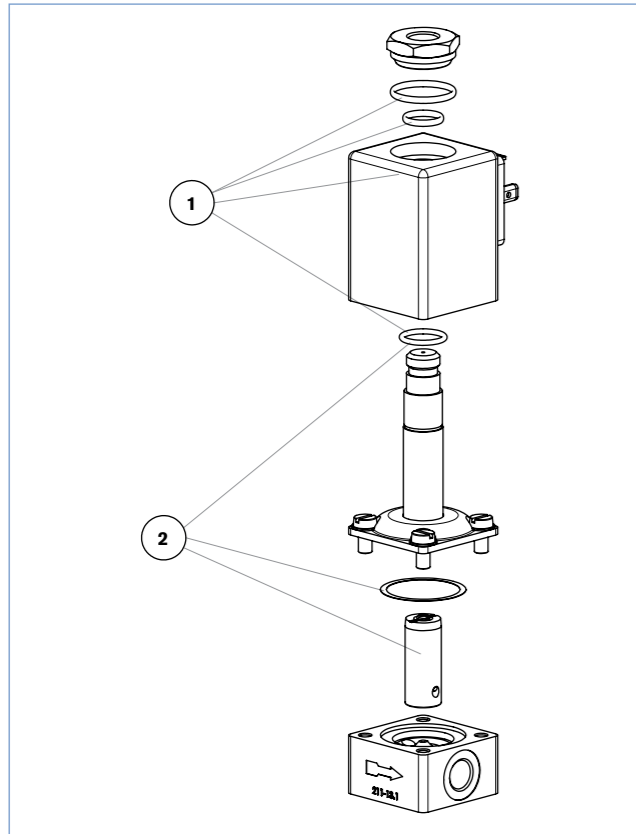
Ordering Chart

Article no. Complete unit	Diagram no.	Pos. 1 Spool set		Pos. 2 Solenoid actuator coupling		Pos. 3 Consumable parts	
		Order no.	V/Hz	Order no.	V/Hz	Order no.	Orifice / Material
025537	3	237189	024/UC	014672	024/UC	015090	DN15 FPM
040549	3	219291	230/50	630822	230/50	015090	DN15 FPM
044502	3	219291	230/50	630822	230/50	015089	DN10 FPM
046466	3	237188	230/UC	616521	230/UC	015080	DN15 NBR
046643	3	237188	230/UC	616521	230/UC	015090	DN15 FPM
048490	3	219291	230/50	630822	230/50		
048622	3	219291	230/50	630822	230/50	015091	DN20 FPM
049527	3	237188	230/UC	624228	230/UC	015091	DN20 FPM
049751	3	237189	024/UC	014672	024/UC		
050461	3	237189	024/UC	617841	024/UC		
051685	3	237188	230/UC	616922	230/UC	015078	DN10 NBR
052221	3	219291	230/50	630822	230/50	015080	DN15 NBR
053059	3	219291	230/50	630822	230/50	015078	DN10 NBR
053807	3	237188	230/UC	624228	230/UC		
054053	3	237189	024/UC	014672	024/UC	015089	DN10 FPM
054102	3	237189	024/UC	014672	024/UC	015080	DN15 NBR
057458	3	237188	230/UC	616922	230/UC	015089	DN10 FPM
057475	3	237189	024/UC	014672	024/UC	015078	DN10 NBR
058371	3	237189	024/UC	618609	024/UC	015080	DN15 NBR
059208	3	237189	024/UC	616924	024/UC	015078	DN10 NBR
059360	3	237189	024/UC	618609	024/UC	015090	DN15 FPM
062679	3	237189	024/UC	616924	024/UC	015089	DN10 FPM
062865	3	237185	024/50	616907	024/50	015080	DN15 NBR
063602	3	237185	024/50	616907	024/50		
069752	3	237189	024/UC	014672	024/UC	015091	DN20 FPM



2/2 way solenoid valve, direct-acting

Diagram 4



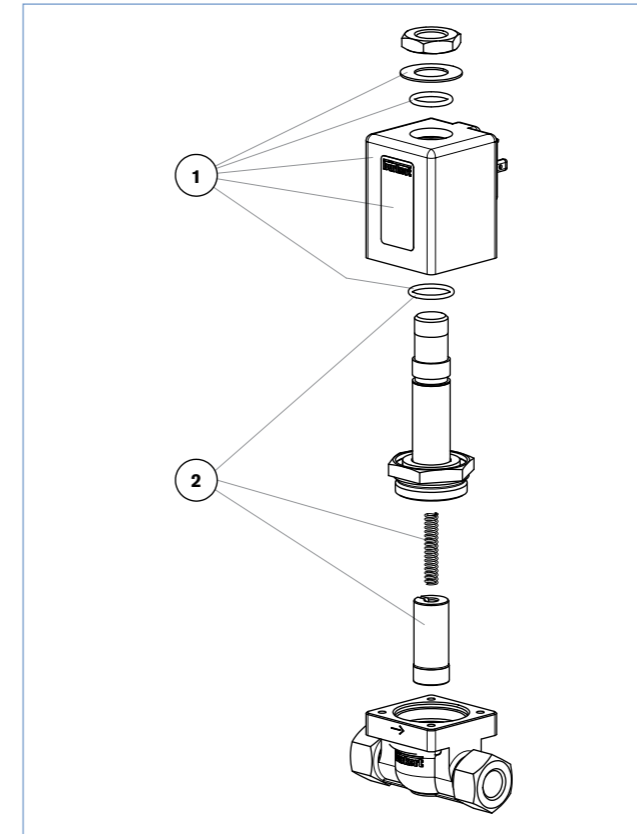
Ordering Chart

Article no. Complete unit	Diagram no.	Pos. 1 Spool set		Pos. 2 Consumable parts, PTFE	
		Order no.	V/Hz	Order no.	Orifice
018013	4			015125	DN13-25
018014	4			015125	DN13-25
018242	4	237145	024/50	015125	DN13-25
018285	4	237142	024/DC	015125	DN13-25
020598	4	237145	024/50	015125	DN13-25
023096	4	237142	024/DC	015125	DN13-25
068579	4	237143	230/50	015125	DN13-25



2/2 way solenoid valve for high pressures and temperatures

Diagram 5



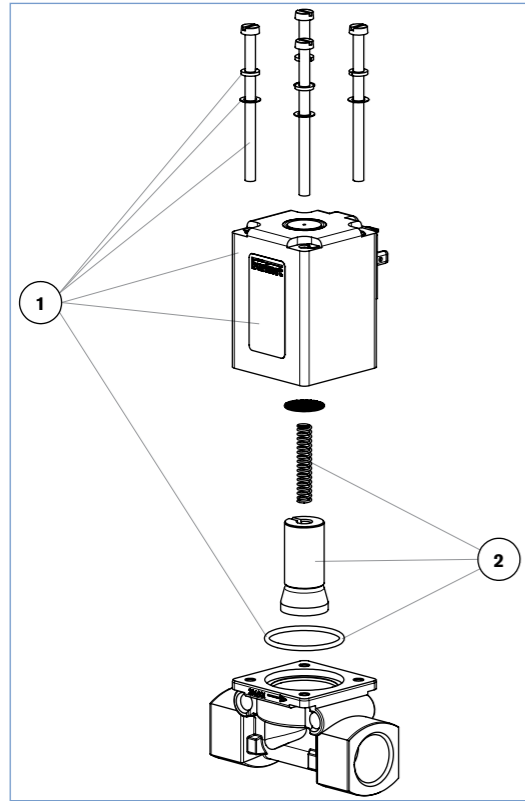
Ordering Chart

Article no. Complete unit	Diagram no.	Pos. 1 Spool set		Pos. 2 Consumable parts	
		Order no.	V/Hz	Order no.	Material / Current type
018004	5	236677	024/DC	015127	PTFE
018593	5	236678	024/50	015127	PTFE
019204	5	236677	024/DC	015127	PTFE
019862	5	236716	230/50	015127	PTFE
019991	5	236678	024/50	015127	PTFE
020033	5	236678	024/50	237064	FKM AC
020164	5	236677	024/DC	015127	PTFE
020468	5	236678	024/50	015127	PTFE
020664	5	236677	024/DC	015127	PTFE
020755	5	236678	024/50	015127	PTFE
021251	5	236677	024/DC	015127	PTFE
021554	5	236677	024/DC	015127	PTFE
022504	5	236677	024/DC	015127	PTFE
022551	5	236678	024/50	237064	FKM AC
023279	5	236716	230/50	015127	PTFE
025250	5	236716	230/50	015127	PTFE
025885	5	236716	230/50	237064	FKM AC
046865	5	236716	230/50	015127	PTFE
049194	5	236678	024/50	015127	PTFE
050389	5	236678	024/50	015127	PTFE
050879	5	236716	230/50	015127	PTFE
050880	5	236716	230/50	015127	PTFE
051143	5	236716	230/50	015127	PTFE
051324	5	236716	230/50	015127	PTFE
052424	5	236716	230/50	237064	FKM AC
052859	5	236678	024/50	015127	PTFE
052872	5	236677	024/DC	015127	PTFE
053188	5	236716	230/50	015127	PTFE
053764	5	236677	024/DC	015127	PTFE
054473	5	236716	230/50	015127	PTFE
054811	5	236716	230/50	015127	PTFE
055506	5	236716	230/50	015127	PTFE
057644	5	236678	024/50	015127	PTFE
058360	5	236677	024/DC	015127	PTFE
058421	5	236678	024/50	015127	PTFE
058796	5	236677	024/DC	015127	PTFE
059100	5	236678	024/50	015127	PTFE
059254	5	236678	024/50	015127	PTFE
061010	5	236716	230/50	015127	PTFE
064119	5	236716	230/50	237064	FKM AC
065438	5	236677	024/DC	015127	PTFE
065454	5	236678	024/50	015127	PTFE
065684	5	236677	024/DC	015127	PTFE
066932	5	236678	024/50	015127	PTFE
067692	5	236716	230/50	015127	PTFE
076551	5	236716	230/50	015127	PTFE
078420	5	236678	024/50	015127	PTFE
089404	5	236677	024/DC	015127	PTFE
089888	5	236677	024/DC	189182	FKM UC, DC
125097	5	236677	024/DC	015127	PTFE
135950	5	236716	230/50	237064	FKM AC
135958	5	236677	024/DC	189182	FKM UC, DC
135959	5	236678	024/50	237064	FKM AC



2/2 way solenoid valve, direct-acting, for neutral mediums

Diagram 6



Ordering Chart

Article no. Complete unit	Diagram no.	Pos. 1 Spool set		Pos. 2 Consumable parts	
		Order no.	V/Hz / Material / for brass	Order no.	Orifice / Material / Current type
120133	6	249382	230/50 NBR	93903273	DN12 NBR
121566	6	249382	230/50 NBR	015119	up to DN8 NBR AC
145725	6	249387	024/DC NBR	93903273	DN12 NBR
145726	6	249390	230/50 EPDM		
145727	6	249387	024/DC NBR	93903273	DN12 NBR
145728	6	249386	024/50 NBR	015119	up to DN8 NBR AC
145729	6	249386	024/50 NBR	015119	up to DN8 NBR AC
145730	6	249383	110/50 NRB	015119	up to DN8 NBR AC
145731	6	249382	230/50 NBR	015119	up to DN8 NBR AC
145733	6	249387	024/DC NBR	93903273	DN12 NBR
145734	6	249386	024/50 NBR	015119	up to DN8 NBR AC
145735	6	249383	110/50 NBR	015119	up to DN8 NBR AC
145736	6	249382	230/50 NBR	015119	up to DN8 NBR AC
145738	6	249389	230/50 FKM	015120	up to DN8 FPM AC
145739	6	249392	024/DC FKM	222388	up to DN6 FPM DC
145740	6	249389	230/50 FKM	015120	up to DN8 FPM AC
145741	6	249389	230/50 FKM	015120	up to DN8 FPM AC
145742	6			222388	up to DN6 FPM DC
145747	6	249387	024/DC NBR	93903273	DN12 NBR
145748	6	249386	024/50 NBR	015119	up to DN8 NBR AC
145749	6	249383	110/50 NBR	015119	up to DN8 NBR AC
145750	6	249382	230/50 NBR	015119	up to DN8 NBR AC
145751	6	249388	240/50 NBR	015119	up to DN8 NBR AC
145752	6	249387	024/DC NBR	93903273	DN12 NBR
145753	6	249386	024/50 NBR	015119	up to DN8 NBR AC
145755	6	249382	230/50 NBR	015119	up to DN8 NBR AC
145757	6	249389	230/50 FKM		
145758	6	249390	230/50 EPDM		
145759	6	249387	024/DC NBR	93903273	DN12 NBR
145760	6	249387	024/DC NBR	93903273	DN12 NBR
145761	6	249386	024/50 NBR	015119	up to DN8 NBR AC
145762	6	249383	110/50 NBR	015119	up to DN8 NBR AC
145763	6	249382	230/50 NBR		
145764	6	249382	230/50 NBR	015119	up to DN8 NBR AC
145766	6	249387	024/DC NBR	93903273	DN12 NBR
145767	6	249386	024/50 NBR	015119	up to DN8 NBR AC
145768	6	249383	110/50 NBR	015119	up to DN8 NBR AC
145769	6	249382	230/50 NBR	015119	up to DN8 NBR AC
145771	6	249387	024/DC NBR	93903273	DN12 NBR
145772	6	249382	230/50 NBR	015119	up to DN8 NBR AC
145773	6	249388	240/50 NBR	015119	up to DN8 NBR AC
145774	6	249391	024/50 FKM	015120	up to DN8 FPM AC
145775	6	249391	024/50 FKM	015120	up to DN8 FPM AC
145776	6	249392	024/DC FKM	222388	up to DN6 FPM DC
145777	6	249390	230/50 EPDM		
145778	6	249387	024/DC NBR	93903273	DN12 NBR
145779	6	249386	024/50 NBR	015119	up to DN8 NBR AC
145780	6	249383	110/50 NBR	015119	up to DN8 NBR AC
145781	6	249382	230/50 NBR	015119	up to DN8 NBR AC
145783	6	249389	230/50 FKM	015120	up to DN8 FPM AC



2/2 way solenoid valve, direct-acting, for neutral mediums

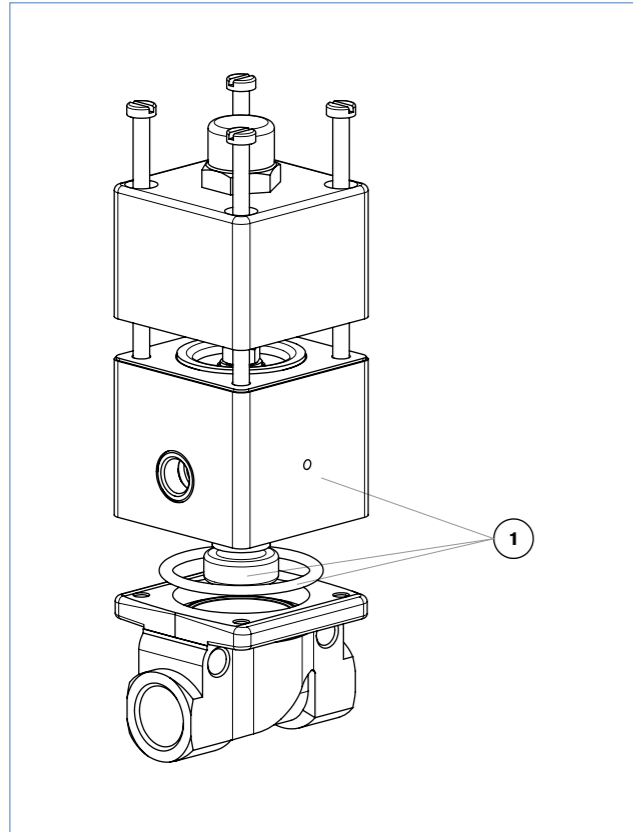
Ordering Chart

Article no. Complete unit	Diagram no.	Pos. 1 Spool set		Pos. 2 Consumable parts	
		Order no.	V/Hz / Material / for brass	Order no.	Orifice / Material / Current type
145784	6	249387	024/DC NBR	93903273	DN12 NBR
145786	6	249382	230/50 NBR	93903273	DN12 NBR
145788	6	249387	024/DC NBR	93903273	DN12 NBR
145789	6	249386	024/50 NBR	93903273	DN12 NBR
145790	6	249383	110/50 NBR	93903273	DN12 NBR
145791	6	249388	240/50 NBR	93903273	DN12 NBR
145792	6	249391	024/50 FKM		
145794	6	249390	230/50 EPDM		
145796	6	249387	024/DC NBR	93903273	DN12 NBR
145797	6	249386	024/50 NBR	93903273	DN12 NBR
145799	6	249382	230/50 NBR	93903273	DN12 NBR
145800	6	249388	240/50 NBR	93903273	DN12 NBR
145801	6	249389	230/50 FKM		
145803	6	249382	230/50 NBR	015119	up to DN8 NBR AC
145804	6	249389	230/50 FKM	015120	up to DN8 FPM AC
145805	6	249386	024/50 NBR	93903273	DN12 NBR
145806	6	249392	024/DC FKM		



2/2 way valve for mediums up to +140 °C

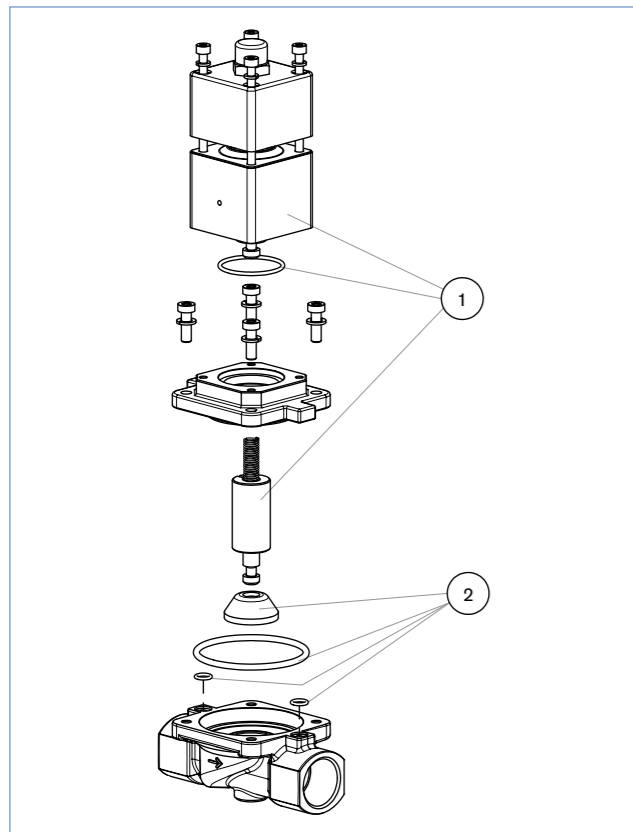
Diagram 7



Ordering Chart

Article no. Complete unit	Diagram no.	Pos. 1 Actuator set		Pos. 2 Seal set	
		Order no.	Orifice / Material / Circuit function	Order no.	Orifice / Material
026059	7	015082	DN10/12 EPDM WW A/I		
026079	7	015082	DN10/12 EPDM WW A/I		
026088	7	015197	DN10/12 FPM WW A/I		
026200	7	245051	DN10/12 PTFE/EPDM WW A/I		
026257	7	015197	DN10/12 FPM WW A/I		
026287	7	015196	DN10/12 NBR WW A/I		
026290	7	015203	DN10/12 NBR WW B		
026298	7	015203	DN10/12 NBR WW B		
026457	7	245053	DN10/12 PTFE/FKM WW A/I		
026459	7	015197	DN10/12 FPM WW A/I		
026715	7	015204	DN10/12 FPM WW B		
026812	7	015202	DN10/12 EPDM WW B		
027400	7	015082	DN10/12 EPDM WW A/I		
027545	7	015082	DN10/12 EPDM WW A/I		
027557	7	245053	DN10/12 PTFE/FKM WW A/I		
027643	7	015196	DN10/12 NBR WW A/I		
027734	7	015196	DN10/12 NBR WW A/I		
027773	8	015210	DN20 FPM WW B	624342	DN20 FF
027891	7	015204	DN10/12 FPM WW B		
027926	7	015197	DN10/12 FPM WW A/I		
027988	7	015202	DN10/12 EPDM WW B		
027991	7	015196	DN10/12 NBR WW A/I		
028004	7	245053	DN10/12 PTFE/FKM WW A/I		
028046	8	015207	DN20 FPM WW A/I	624342	DN20 FF
028071	8	015212	DN25 NBR WW A/I	624344	DN25 NBR
028072	8	015206	DN20 NBR WW A/I	624341	DN20 NBR
028080	7	015082	DN10/12 EPDM WW A/I		
028211	8	015205	DN20 EPDM WW A/I	624343	DN20 EPDM
028410	8			624345	DN25 FF
029106	8	015211	DN25 EPDM WW A/I	624346	DN25 AA

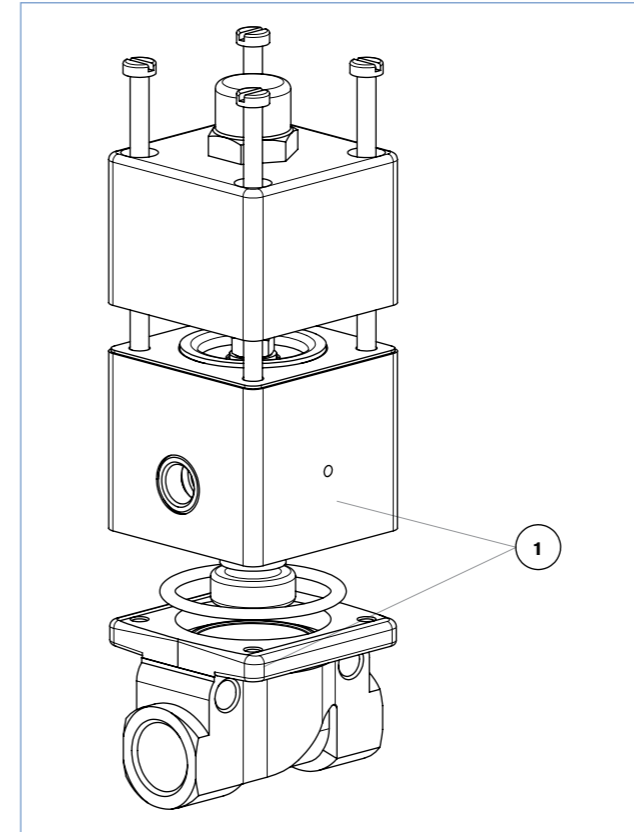
Diagram 8



2/2 way control valve with isolating diaphragm



Diagram 9



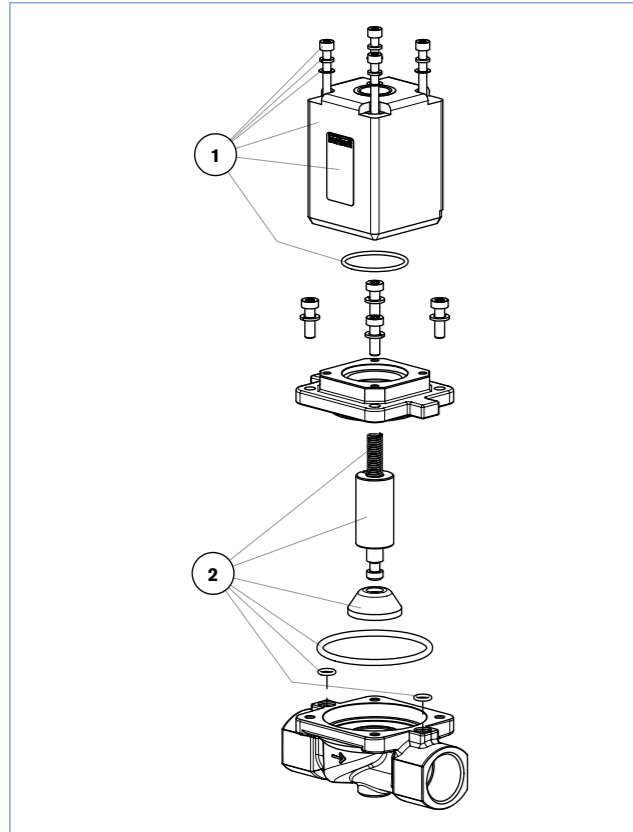
Ordering Chart

Article no. Complete unit	Diagram no.	Pos. 1 Actuator set	
		Order no.	Orifice / Material / Circuit function
026006	9	015219	DN10/12 FPM WW A/I
026065	9	015218	DN10/12 NBR WW A/I
026094	9	015217	DN10/12 EPDM WW A/I
026207	9	015218	DN10/12 NBR WW A/I
026246	9	015219	DN10/12 FPM WW A/I
026455	9	015221	DN10/12 NBR WW B
026903	9	015219	DN10/12 FPM WW A/I
026944	9	015219	DN10/12 FPM WW A/I
027328	9	015218	DN10/12 NBR WW A/I
027342	9	015218	DN10/12 NBR WW A/I
027428	9	015217	DN10/12 EPDM WW A/I
027695	9	015219	DN10/12 FPM WW A/I
027772	9	015218	DN10/12 NBR WW A/I
027881	9	015218	DN10/12 NBR WW A/I
027895	9	015217	DN10/12 EPDM WW A/I
027929	9	015217	DN10/12 EPDM WW A/I
027955	9	015219	DN10/12 FPM WW A/I
027962	9	015221	DN10/12 NBR WW B
027963	9	015219	DN10/12 FPM WW A/I
027987	9	015220	DN10/12 EPDM WW B
028023	9	015217	DN10/12 EPDM WW A/I
028037	9	015222	DN10/12 FPM WW B
028084	9	015219	DN10/12 FPM WW A/I
028300	9	015220	DN10/12 EPDM WW B
028827	9	015222	DN10/12 FPM WW B
028926	9	015217	DN10/12 EPDM WW A/I
028980	9	015220	DN10/12 EPDM WW B
029176	9	015217	DN10/12 EPDM WW A/I
029259	9	015222	DN10/12 FPM WW B
029332	9	015219	DN10/12 FPM WW A/I
029339	9	015218	DN10/12 NBR WW A/I
029532	9	015217	DN10/12 EPDM WW A/I
029625	9	015217	DN10/12 EPDM WW A/I
089193	9	015221	DN10/12 NBR WW B
120497	9	015217	DN10/12 EPDM WW A/I
132923	9	015218	DN10/12 NBR WW A/I
137958	9	015217	DN10/12 EPDM WW A/I
143139	9	015219	DN10/12 FPM WW A/I
151019	9	015217	DN10/12 EPDM WW A/I
162985	9	015220	DN10/12 EPDM WW B
162986	9	015217	DN10/12 EPDM WW A/I
170023	9	015218	DN10/12 NBR WW A/I
180158	9	015219	DN10/12 FPM WW A/I
216690	9	015218	DN10/12 NBR WW A/I
231593	9	015219	DN10/12 FPM WW A/I



2/2 way solenoid valve for low pressure

Diagram 10



Ordering Chart

Article no. Complete unit	Diagram no.	Pos. 1 Spool set		Pos. 2 Consumable parts	
		Order no.	V/Hz / Material	Order no.	Orifice/ Material / Current type
020082	10	245709	024/50 NBR	624335	DN20 NBR AC
021231	10	245629	240/50 NBR	624338	DN25 NBR AC
058423	10	245901	230/50 NBR	624338	DN25 NBR AC
058425	10	245901	230/50 NBR	624335	DN20 NBR AC
058437	10	245902	230/50 FKM	624336	DN20 FKM AC
058438	10	245902	230/50 FKM	624339	DN25 FKM AC
063675	10	245861	024/UC NBR	015138	DN25 NBR UC
067055	10	245629	240/50 NBR	624335	DN20 NBR AC
067763	10	245861	024/UC NBR	015135	DN20 NBR UC
069086	10	245709	024/50 NBR	624338	DN25 NBR AC

More Minimum!

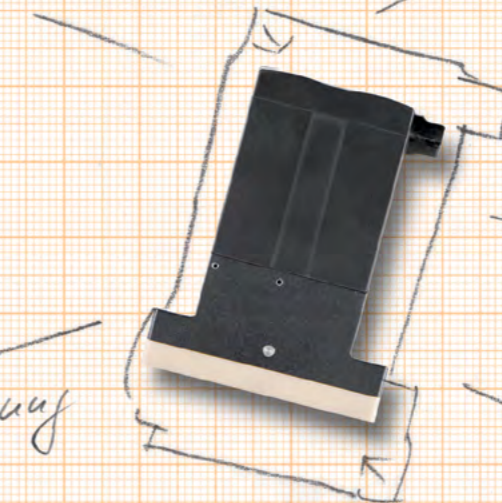
50% kleiner als
Standardgeräte
bei gleicher Performance!!

bis zu 75% weniger
Energieverbrauch

Statusüberwachung
durch LED

weniger Wärmeeintrag
ins Medium

optimierte
Spülbarkeit



Our revolutionary TwinPower technology uses two coils. Therefore the size of our valves is reduced by up to 50% – without any loss of performance. More minimum for your great ideas.

Our solenoid valves type 6624 and type 6626 prove it:
Call us: +49 7940 10 91 111 or visit us online at www.burkert.com/twinpower

TwinPower 



2/2 way solenoid valve for gases and liquids

Diagram 11

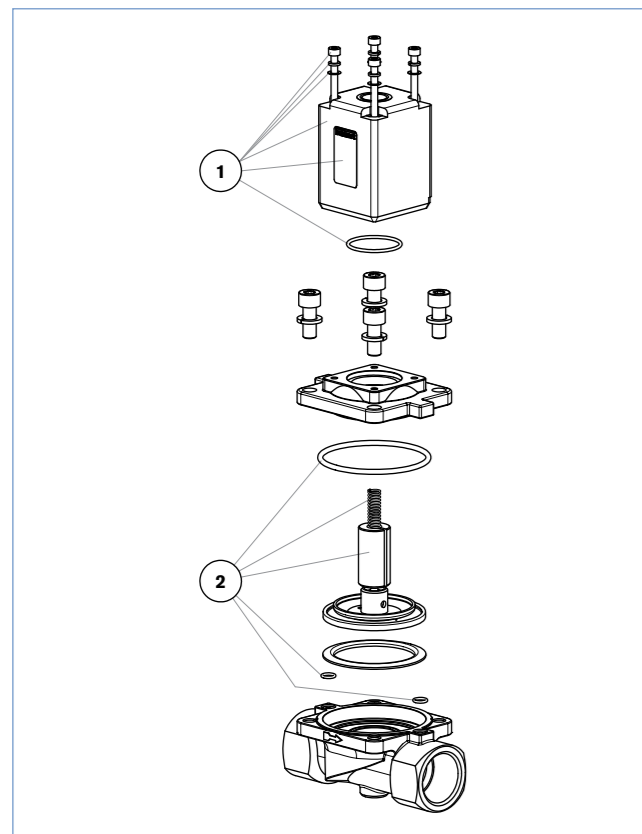


Diagram 13

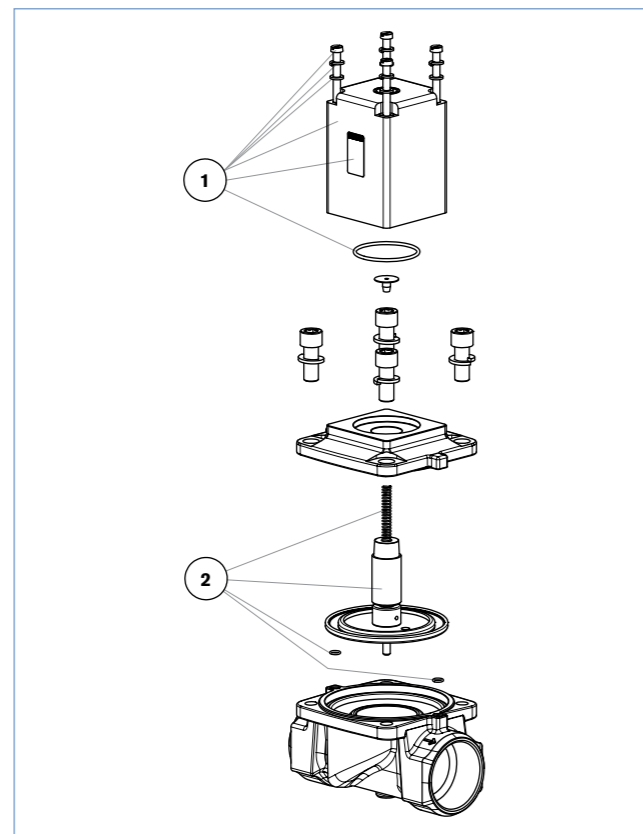
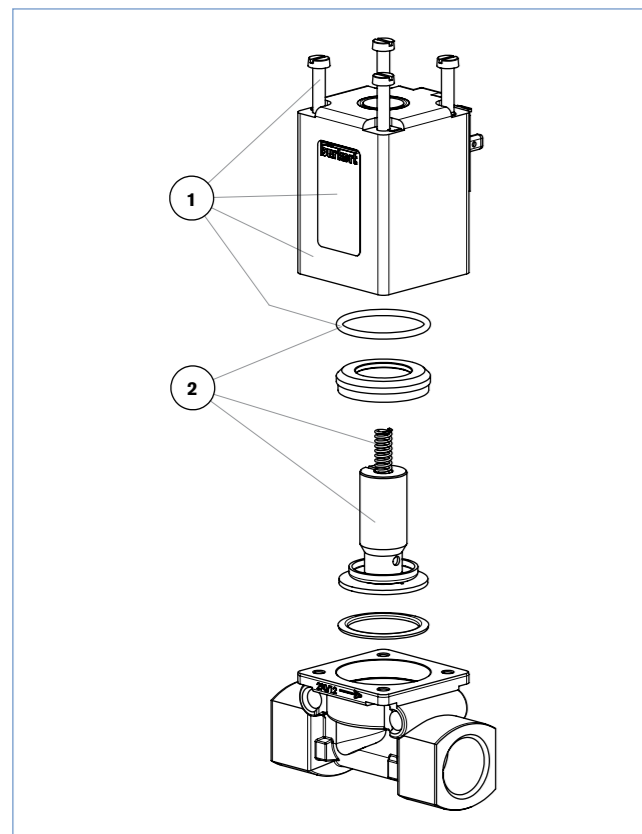


Diagram 12



Ordering Chart

Article no. Complete unit	Diagram no.	Pos. 1 Spool set		Pos. 2 Consumable parts	
		Order no.	V/Hz / Material	Order no.	Orifice / Material / Current type
018121	11	245720	024/50 FKM	015182	DN25 FKM StSt 50 Hz
018348	11	245864	024/UC EPDM	015186	DN25 EPDM StSt UC
025870	11	245969	110/50 EPDM	015174	DN20 EPDM StSt 50 Hz
042886	12	245881	230/50 FKM Br	624348	DN12 FKM Br/Fe 50/60 Hz
042888	12	245961	230/50 FKM StSt	015167	DN12 FKM StSt UC
043553	12	245963	230/50 EPDM StSt	015165	DN12 EPDM StSt
043654	12	245960	230/50 NBR StSt	015167	DN12 FKM StSt UC
043659	12	245732	024/50 NBR StSt	015163	DN12 NBR StSt 50/60 Hz
043816	12	245649	024/50 NBR Br	624347	DN12 NBR Br/Fe 50/60 Hz
044373	12	245879	230/50 NBR Br	624347	DN12 NBR Br/Fe 50/60 Hz
044816	12	245899	230/50 EPDM Br	624349	DN12 EPDM Br/Fe 50/60 Hz
045290	11	245903	230/50 EPDM	624352	DN20 EPDM Br/Fe 50 Hz
045291	11	245903	230/50 EPDM	624355	DN25 EPDM Br/Fe 50 Hz
045292	11	245901	230/50 NBR	624350	DN20 NBR Br/Fe 50 Hz
045293	11	245901	230/50 NBR	624353	DN25 NBR Br/Fe 50 Hz
045765	12	245857	024/50 EPDM StSt	015165	DN12 EPDM StSt
045931	12	245691	024/50 EPDM Br	624349	DN12 EPDM Br/Fe 50/60 Hz
048171	11	245709	024/50 NBR	624353	DN25 NBR Br/Fe 50 Hz
048606	12	245871	024/UC EPDM StSt	015165	DN12 EPDM StSt
048707	12	245664	024/50 FKM Br	624348	DN12 FKM Br/Fe 50/60 Hz
048708	12	245855	024/50 FKM StSt	015167	DN12 FKM StSt UC
049050	12	245860	024/UC EPDM Br	015162	DN12 EPDM Br/Fe UC
049053	12	245977	110/50 EPDM StSt	015165	DN12 EPDM StSt
049055	12	245966	110/50 EPDM Br	624349	DN12 EPDM Br/Fe 50/60 Hz
049229	12	245859	024/UC FKM Br	015161	DN12 FKM Br/Fe UC
049500	12	245964	110/50 NBR Br	624347	DN12 NBR Br/Fe 50/60 Hz
049518	11	245861	024/UC NBR	015169	DN20 NBR Br/Fe UC
049745	11	245902	230/50 FKM	624351	DN20 FKM Br/Fe 50 Hz
049987	12	245870	024/UC FKM StSt	015167	DN12 FKM StSt UC
050294	12	245858	024/UC NBR Br	624347	DN12 NBR Br/Fe 50/60 Hz
052358	12	245974	110/50 NBR StSt	015163	DN12 NBR StSt 50/60 Hz
052513	13	245901	230/50 NBR	015187	DN32/40 NBR Br/Fe 50 Hz
053595	12	245868	024/UC NBR StSt	015166	DN12 NBR StSt UC
053674	11	245863	024/UC FKM	015170	DN20 FKM Br/Fe UC
053675	11	245861	024/UC NBR	015178	DN25 NBR Br/Fe UC
053869	11	245967	110/50 NBR	624353	DN25 NBR Br/Fe 50 Hz
053910	11	245720	024/50 FKM	624351	DN20 FKM Br/Fe 50 Hz

2/2 way solenoid valve for gases and liquids



Ordering Chart

Article no. Complete unit	Diagram no.	Pos. 1 Spool set		Pos. 2 Consumable parts	
		Order no.	V/Hz / Material	Order no.	Orifice / Material / Current type
087203	13	245902	230/50 FKM	015188	DN32/40 FKM Br/Fe 50 Hz
087663	13	245902	230/50 FKM	015188	DN32/40 FKM Br/Fe 50 Hz
087732	13	245903	230/50 EPDM	015189	DN32/40 EPDM Br/Fe 50 Hz
225435	12			242257	DN12 FKM Br 50 Hz O2 Ver.

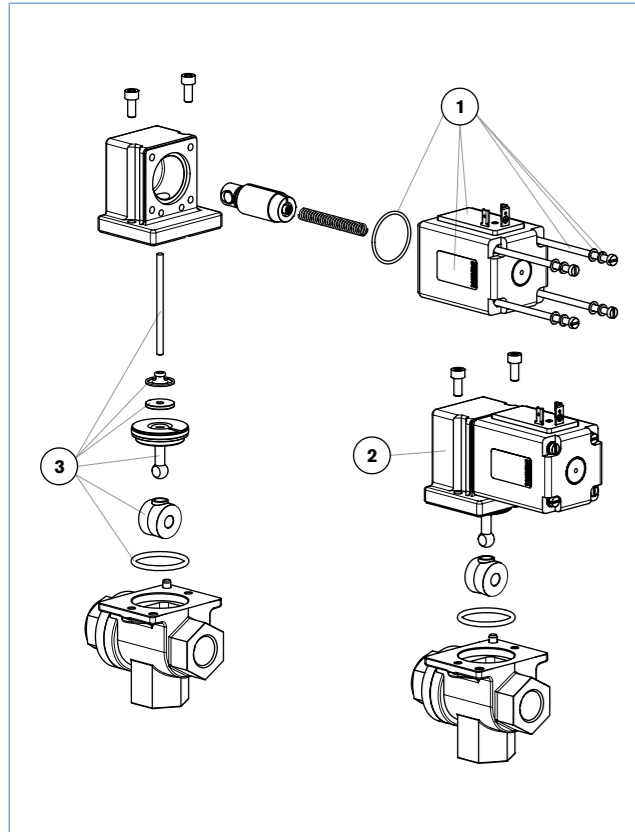
Article no. Complete unit	Diagram no.	Pos. 1 Spool set		Pos. 2 Consumable parts	
		Order no.	V/Hz / Material	Order no.	Orifice / Material / Current type
054245	11	245731	024/50 EPDM	624355	DN25 EPDM Br/Fe 50 Hz
057127	11	245967	110/50 NBR	624350	DN20 NBR Br/Fe 50 Hz
057155	11	245864	024/UC EPDM	015180	DN25 EPDM Br/Fe UC
058407	12	245975	110/50 FKM StSt	015167	DN12 FKM StSt UC
058427	11	245864	024/UC EPDM	015171	DN20 EPDM Br/Fe UC
058627	11	245902	230/50 FKM	624354	DN25 FKM Br/Fe 50 Hz
058766	11	245709	024/50 NBR	624350	DN20 NBR Br/Fe 50 Hz
059240	12	245965	110/50 FKM Br	624348	DN12 FKM Br/Fe 50/60 Hz
059901	11	245903	230/50 EPDM	015183	DN25 EPDM StSt 50 Hz
059910	11	245864	024/UC EPDM	015177	DN20 EPDM StSt UC
064701	11	245902	230/50 FKM	015173	DN20 FKM StSt 50 Hz
064887	11	245969	110/50 EPDM	624355	DN25 EPDM Br/Fe 50 Hz
065025	11	245903	230/50 EPDM	015174	DN20 EPDM StSt 50 Hz
065033	11	245731	024/50 EPDM	624352	DN20 EPDM Br/Fe 50 Hz
065121	11	245901	230/50 NBR	015172	DN20 NBR StSt 50 Hz
065362	11	245720	024/50 FKM	015173	DN20 FKM StSt 50 Hz
065414	11	245901	230/50 NBR	015181	DN25 NBR StSt 50 Hz
065542	11	245863	024/UC FKM	015185	DN25 FKM StSt UC
066125	11	245902	230/50 FKM	015182	DN25 FKM StSt 50 Hz
066381	11	245863	024/UC FKM	015176	DN20 FKM StSt UC
066460	11	245731	024/50 EPDM	015174	DN20 EPDM StSt 50 Hz
066594	11	245968	110/50 FKM	015173	DN20 FKM StSt 50 Hz
066981	11	245863	024/UC FKM	015179	DN25 FKM Br/Fe UC
067973	11	245968	110/50 FKM	624351	DN20 FKM Br/Fe 50 Hz
069138	11	245969	110/50 EPDM	624352	DN20 EPDM Br/Fe 50 Hz
069477	11	245968	110/50 FKM	015182	DN25 FKM StSt 50 Hz
077494	13	245959	230/UC EPDM Br	015194	DN50/65 FKM Br/Fe UC
085259	13	245903	230/50 EPDM	015189	DN32/40 EPDM Br/Fe 50 Hz
085290	13	245709	024/50 NBR	015187	DN32/40 NBR Br/Fe 50 Hz
085291	13	245861	024/UC NBR	015190	DN32/40 NBR Br/Fe UC
085292	13	245967	110/50 NBR	015187	DN32/40 NBR Br/Fe 50 Hz
085294	13	245709	024/50 NBR	015187	DN32/40 NBR Br/Fe 50 Hz
085295	13	245861	024/UC NBR	015190	DN32/40 NBR Br/Fe UC
085296	13	245967	110/50 NBR	015187	DN32/40 NBR Br/Fe 50 Hz
085297	13	245901	230/50 NBR	015187	DN32/40 NBR Br/Fe 50 Hz
085299	13	245866	024/DC NBR	015193	DN50/65 NBR Br/Fe UC
085300	13	245972	110/UC EPDM Br	015193	DN50/65 NBR Br/Fe UC
085301	13	245906	230/UC NBR Br	015193	DN50/65 NBR Br/Fe UC

If you do not find anything there or have further questions, please call +49 7940 10 91 100.



3/2 way solenoid valve for neutral mediums

Diagram 14



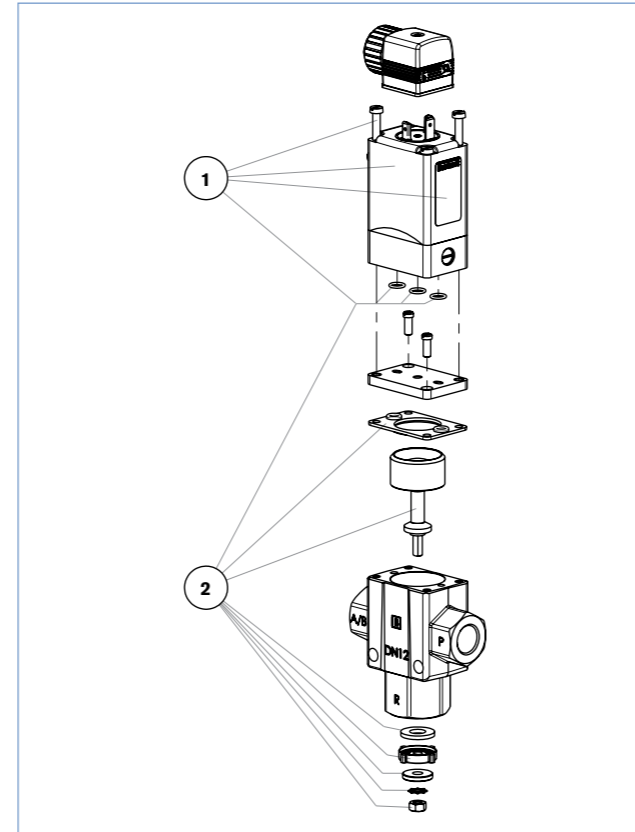
Ordering Chart

Article no. Complete unit	Diagram no.	Pos. 1 Spool set		Pos. 2 Solenoid actuator coupling		Pos. 3 Consumable parts	
		Order no.	V/Hz	Order no.	V/Hz	Order no.	Orifice / NBR
021964	14	237189	024/UC	619641	024/UC	015080	DN15
048997	14	237189	024/UC	617969	024/UC	015078	DN10
049470	14	237188	230/UC	617845	230/UC		
058843	14	237189	024/UC	619641	024/UC	015080	DN15
059302	14	237188	230/UC	617845	230/UC	015078	DN10
062124	14	219291	230/50	614753	230/50	015080	DN15
062481	14	237188	230/UC	617845	230/UC	015080	DN15
062737	14	237189	024/UC	617969	024/UC	015080	DN15
062960	14	219291	230/50	614753	230/50	015078	DN10
064025	14	237189	024/UC	619641	024/UC	015078	DN10
065255	14	237189	024/UC	619641	024/UC	015078	DN10



3/2 way solenoid valve for gases and liquids

Diagram 15



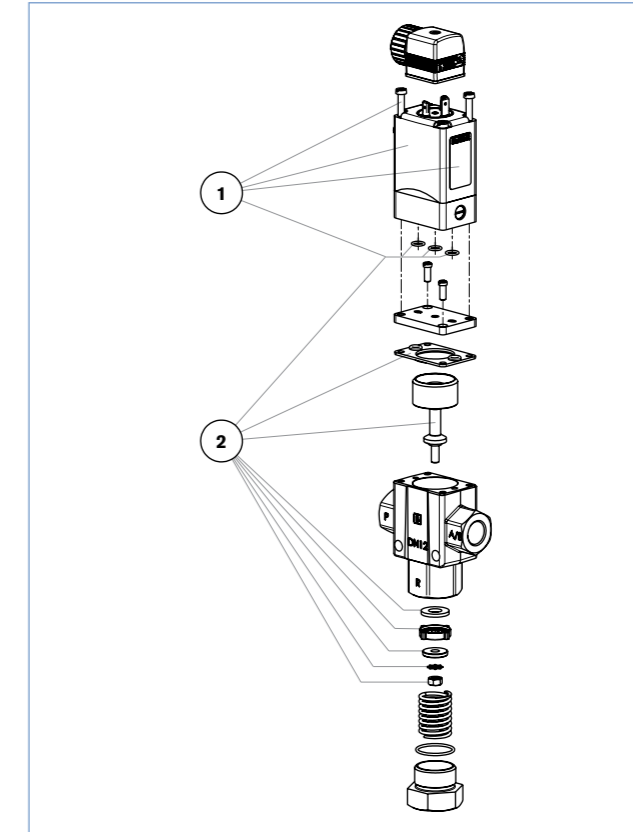
Ordering Chart

Article no. Complete unit	Diagram no.	Pos. 1 Pilot control, Type 0331		Pos. 2 Spare part set	
		Order no.	V/Hz	Order no.	Orifice / NBR
041062	15	041184	024/50	214590	DN12
041317	15	041234	024/DC	214595	DN08
041318	15	041235	024/50	214595	DN08
041325	15	041798	110/50	214595	DN08
041329	15	041242	230/50	214595	DN08
041333	15	041234	024/DC	214590	DN12
041334	15	041235	024/50	214590	DN12
041340	15	041798	110/50	214590	DN12
041346	15	041242	230/50	214590	DN12
041350	15	041234	024/DC	214590	DN12
041351	15	041235	024/50	214590	DN12
041353	15	041242	230/50	214590	DN12
041354	15	041234	024/DC	214593	DN20
041359	15	041798	110/50	214593	DN20
041361	15	041242	230/50	214593	DN20
041362	15	041248	024/50	214591	DN25
041364	15	041254	230/50	214591	DN25
041365	15	041248	024/50	013350	DN40
041366	15	041254	230/50	013350	DN40
041367	15	041183	024/DC	214595	DN08
041368	15	041184	024/50	214595	DN08
041371	15	041188	230/50	214595	DN08
041374	15	041183	024/DC	214590	DN12
041375	15	041184	024/50	214590	DN12
041380	15	041188	230/50	214590	DN12
041386	15	041188	230/50	214590	DN12
041537	15	041247	024/DC	214591	DN25
041665	15	041235	024/50	214593	DN20
042277	15	058190	240/50	214590	DN12
042319	15	041247	024/DC	013350	DN40
042506	15	048805	012/DC	214595	DN08
042864	15	041531	110/50	214591	DN25
047534	15	041183	024/DC	214590	DN12

3/2 way solenoid valve for neutral medium and vacuum



Diagram 16



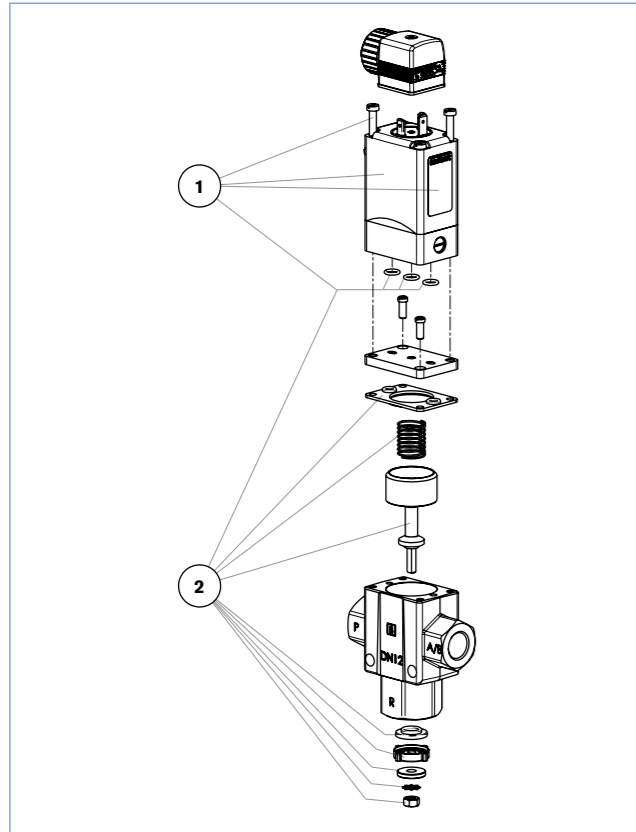
Ordering Chart

Article no. Complete unit	Diagram no.	Pos. 1 Pilot control, Type 0331		Pos. 2 Spare part set	
		Order no.	V/Hz	Order no.	Orifice / NBR
046095	16	051188	230/50	214635	DN12
048301	16	051188	230/50	214647	DN08
048832	16	051188	230/50	214646	DN25
048918	16			214635	DN12
049510	16			215992	DN20
052354	16	051188	230/50	215992	DN20



3/2 way solenoid valve for low pressure and vacuum

Diagram 17



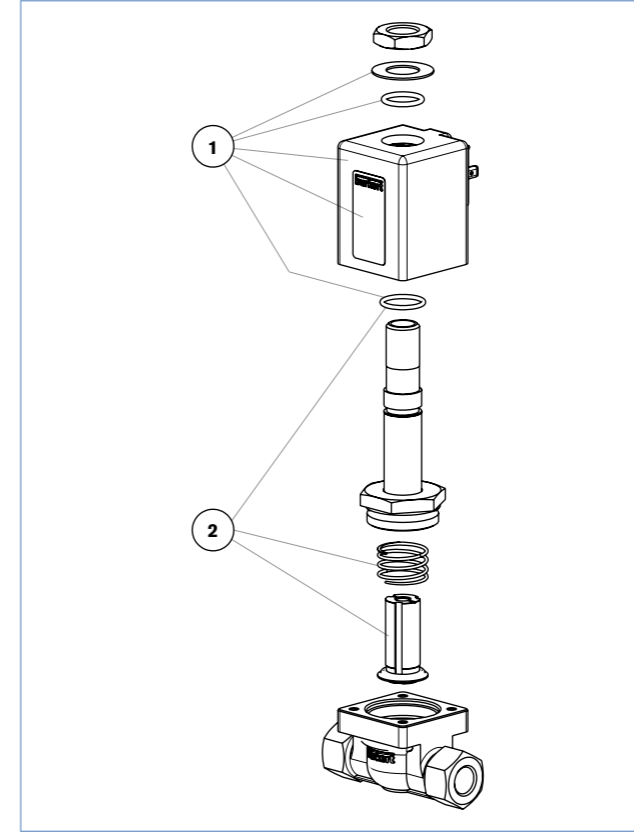
Ordering Chart

Article no. Complete unit	Diagram no.	Pos. 1 Pilot control, Type 0331		Pos. 2 Spare part set	
		Order no.	V/Hz	Order no.	Orifice / NBR
041681	17	054146	230/50	214650	DN25
043479	17	056756	024/50	214650	DN25
043691	17	045041	024/DC	214650	DN25
045134	17	044513	230/50	214652	DN08
046087	17	049828	024/DC	214651	DN20
046180	17	044513	230/50	214653	DN12
046246	17	049828	024/DC	214653	DN12
046373	17	054146	230/50	214653	DN12
046408	17	054146	230/50	214652	DN08
046461	17	044513	230/50	214651	DN20
046580	17	045041	024/DC	214653	DN12
046833	17	045041	024/DC	214651	DN20
046986	17	049828	024/DC	214652	DN08
047383	17	045041	024/DC	214652	DN08
047616	17	054146	230/50	214651	DN20
047787	17	058233	024/50	214652	DN08
047853	17	044513	230/50	214649	DN40
047873	17	049828	024/DC	214650	DN25
047897	17	058233	024/50	214653	DN12
049336	17	056756	024/50	214652	DN08
050367	17	058233	024/50	214650	DN25
051354	17	056756	024/50	214653	DN12
053492	17	058233	024/50	214651	DN20
055445	17	044513	230/50	214650	DN25
057636	17	056756	024/50	214651	DN20
057829	17	045041	024/DC	214649	DN40



3/2 way solenoid valve, also for higher temperatures

Diagram 18



Ordering Chart

Article no. Complete unit	Diagram no.	Pos. 1 Spool set		Pos. 2 Consumable parts	
		Order no.	V/Hz	Order no.	Material
017668	18	236678	024/50	237132	NBR/FKM
019095	18	236678	024/50	237132	NBR/FKM
021253	18	236716	230/50	207786	PTFE/FKM
026069	18	236678	024/50	237132	NBR/FKM
043089	18	236677	024/DC	237132	NBR/FKM
046655	18	236716	230/50	237135	FKM
049025	18	236716	230/50	207786	PTFE/FKM
049998	18	236678	024/50	207786	PTFE/FKM
052078	18	236677	024/DC	207786	PTFE/FKM
052665	18	236677	024/DC	207786	PTFE/FKM
054885	18	236716	230/50	207786	PTFE/FKM
058403	18	236716	230/50	207786	PTFE/FKM
061019	18	236716	230/50	237132	NBR/FKM
061104	18	236677	024/DC	237132	NBR/FKM
061174	18	236716	230/50	237132	NBR/FKM
062188	18	236677	024/DC	207786	PTFE/FKM
064392	18	236677	024/DC	237135	FKM
065552	18	236678	024/50	207786	PTFE/FKM
066007	18	236716	230/50	237139	EPDM/FKM
066759	18	236716	230/50	237135	FKM
067817	18	236678	024/50	207786	PTFE/FKM
068078	18	236716	230/50	237132	NBR/FKM
068557	18	236677	024/DC	237132	NBR/FKM
126056	18	236716	230/50	237135	FKM



2/2 way solenoid valve

Diagram 19

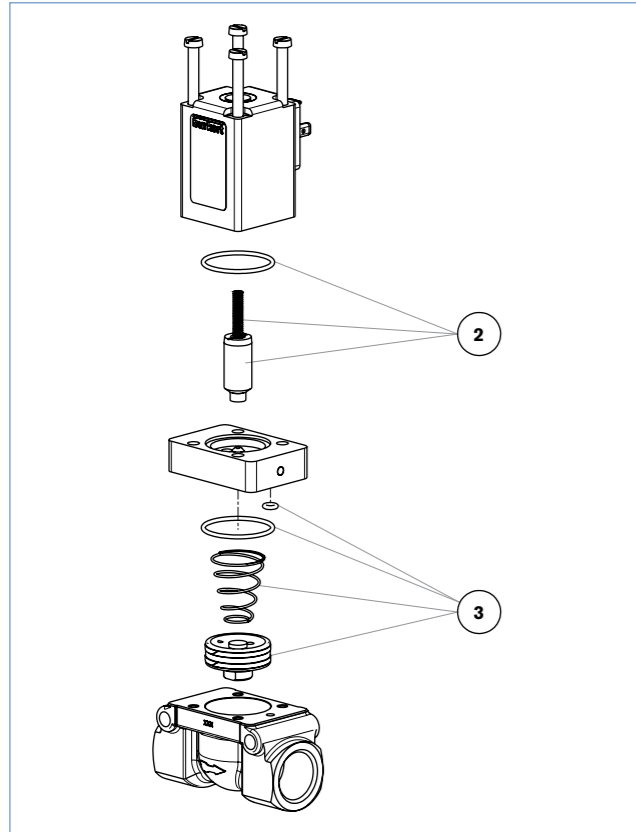


Diagram 21

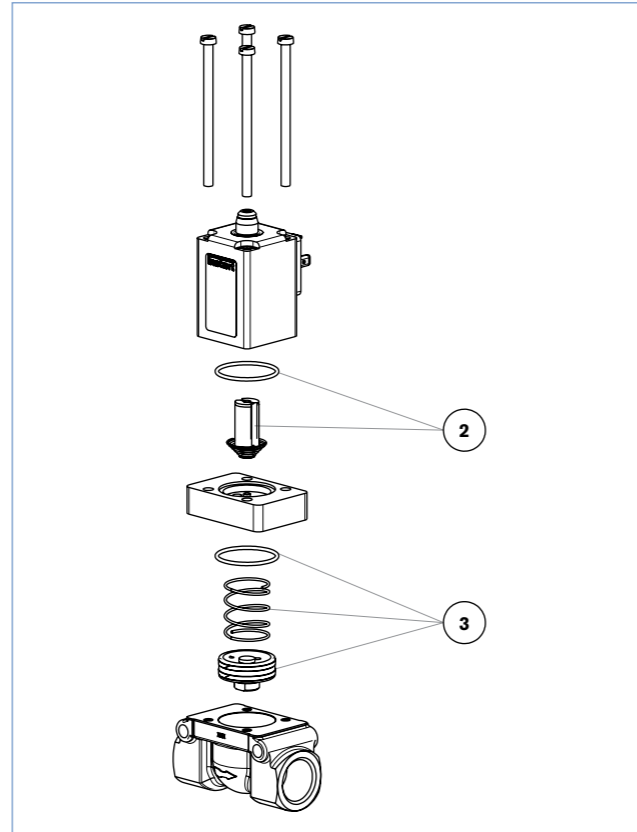
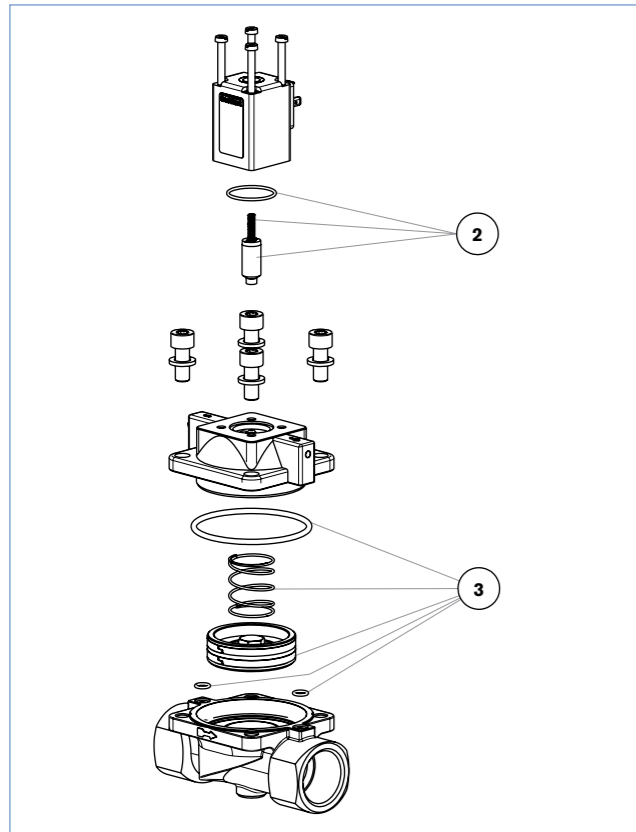


Diagram 20



2/2 way solenoid valve



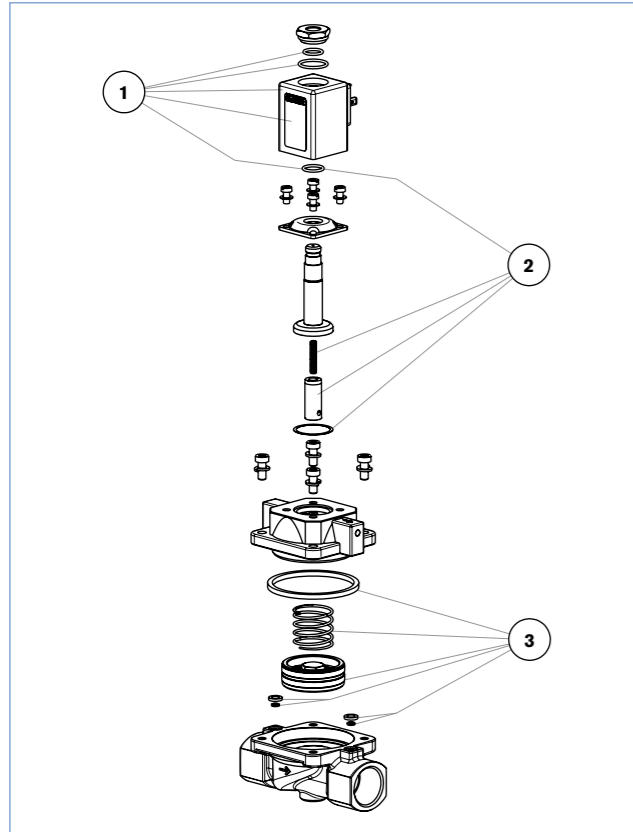
Ordering Chart

Article no. Complete unit	Diagram no.	Pos. 2 Consumable parts, pilot control		Pos. 3 Consumable parts, fitting	
		Order no.	Material	Order no.	Orifice / Material
022592	20	015157	FKM	624384	DN25 PTFE/FKM
023267	20	015157	FPM	624381	DN20 PTFE/FKM
024404	20	015157	FPM	624381	DN20 PTFE/FKM
024405	20	015157	FPM	624384	DN20 PTFE/FKM
041644	19	015157	FPM	161788	DN12 PTFE/FKM
042291	19	015156	NBR	624378	DN12 PTFE/NBR
042784	21			625710	DN12 PTFE/NBR
043481	19	015157	FKM	161788	DN12 PTFE/FKM
043923	19	015156	NBR	624378	DN12 PTFE/NBR
043979	19	015156	NBR	624377	DN12 NBR
044717	19	015156	NBR	624378	DN12 PTFE/NBR
044973	21	015159	FKM	625711	DN12 PTFE/FKM
045855	19	015156	NBR	624377	DN12 NBR
047797	19	015157	FKM	161788	DN12 PTFE/FKM
047798	19	015157	FKM	161788	DN12 PTFE/FKM
048880	19	015156	NBR	624378	DN12 PTFE/NBR
049430	20	015156	NBR	624383	DN25 NBR
050036	19	015157	FKM	161788	DN12 PTFE/FKM
052768	20	015157	FKM	624384	DN25 PTFE/FKM
062620	20	015157	FKM	624384	DN25 PTFE/FKM
065533	20	015157	FKM	624384	DN25 PTFE/FKM
065537	20	015157	FKM	624381	DN20 PTFE/FKM
065635	19	015156	NBR	624378	DN12 PTFE/NBR
066857	19	015157	FKM	161788	DN12 PTFE/FKM
068490	20	015157	FKM	624381	DN20 PTFE/FKM
069232	20	015157	FKM	624381	DN20 PTFE/FKM
079719	21			625711	DN12 PTFE/FKM
085343	20	015120	FKM	015112	DN40 PTFE/FKM
085866	21			624384	DN25 PTFE/FKM
087173	21			625710	DN12 PTFE/NBR
087236	21	015159	FKM	625711	DN12 PTFE/FKM
088143	21			624381	DN20 PTFE/FKM



2/2 way solenoid valve for neutral mediums up to +180 °C

Diagram 22



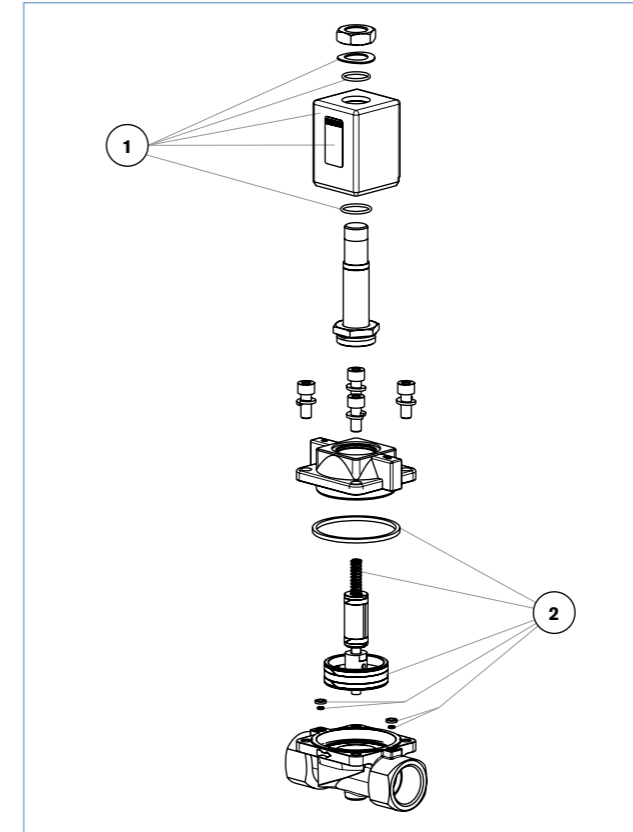
Ordering Chart

Article no. Complete unit	Diagram no.	Pos. 1 Spool set		Pos. 2 Consumable parts, Pilot control, PTFE		Pos. 3 Consumable parts, fitting, PTFE	
		Order no.	V/Hz	Order no.	Orifice	Order no.	Orifice
019310	22	237142	024/DC	015125	DN13-25	624490	DN13
019818	22	237145	024/50	015125	DN13-25	624492	DN20
019983	22	237142	024/DC	015125	DN13-25	624494	DN25
020541	22	237145	024/50	015125	DN13-25	624490	DN13
021004	22	237142	024/DC	015125	DN13-25	624492	DN20
021440	22	237145	024/50	015125	DN13-25	624494	DN25
022126	22	237143	230/50	015125	DN13-25	624494	DN25
061303	22	237143	230/50	015125	DN13-25	624492	DN20
061304	22	237143	230/50	015125	DN13-25	624494	DN25
061305	22	237143	230/50	015125	DN13-25	624490	DN13
078255	22	237142	024/DC	015125	DN13-25	624494	DN25



2/2 way solenoid valve for neutral mediums up to +180 °C

Diagram 23



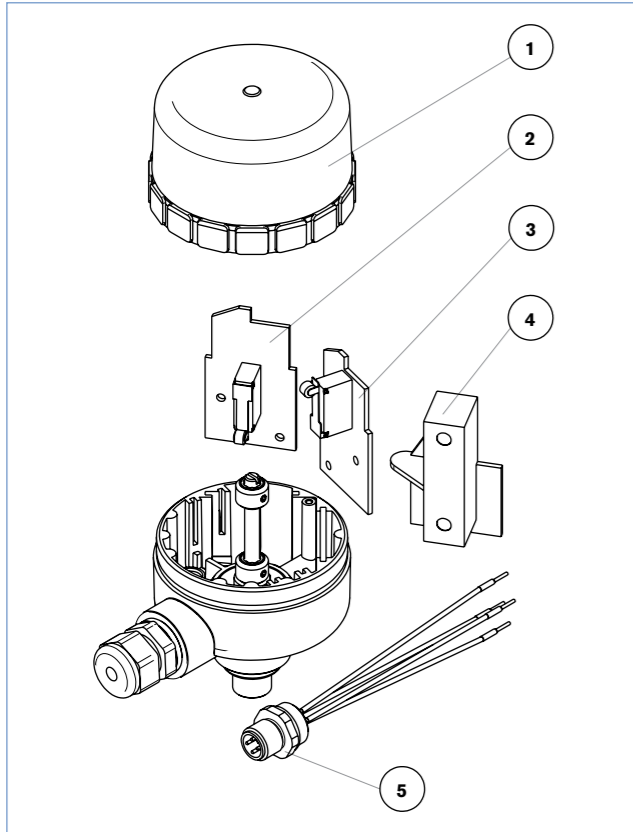
Ordering Chart

Article no. Complete unit	Diagram no.	Pos. 1 Spool set		Pos. 2 Consumable parts	
		Order no.	V/Hz	Order no.	Orifice / PTFE
021598	23	015345	024/50	014842	DN13
021620	23	236959	024/50	014844	DN25
022032	23	236959	024/50	014843	DN20
064919	23	236961	230/50	015131	DN32/40
085385	23	236959	024/50	015131	DN32/40
085392	23	236959	024/50	015131	DN32/40
085394	23	236961	230/50	015131	DN32/40
085400	23	236969	024/DC	015133	DN50/65
085402	23	236962	230/UC	015133	DN50/65
125542	23	236677	024/DC	647267	DN13
150311	23	236965	024/DC	179270	DN20
174745	23	236965	024/DC	237060	DN25
226757	23	236965	024/DC	237061	DN32/40
615157	23	236961	230/50	014843	DN20
615637	23	015391	230/50	014842	DN13
615638	23	236961	230/50	014844	DN25



Electric position feedback

Diagram 24



Electric position feedback

Ordering Chart

Article no. Complete unit	Diagram no.	Pos. 1 Cover		Pos. 2 Replacem. plate closed		Pos. 3 Replacem. plate open		Pos. 4 Double limit switch		Pos. 5 Cable plug	
		Order no.	Material	Order no.	with limit switches	Order no.	with limit switches	Order no.	with limit switches	Order no.	Connection
005409	24	632967	PC clear	633025	mechanic						
005415	24	632967	PC clear			633023	mechanic				
005416	24	632967	PC clear	633025	mechanic	633023	mechanic				
005422	24	632967	PC clear	634804	inductive						
005434	24	632967	PC clear			634803	inductive				
005461	24	632967	PC clear	634804	inductive	634803	inductive				
007458	24	632967	PC clear	633025	mechanic						
007459	24	632967	PC clear			633023	mechanic				
007460	24	632967	PC clear	633025	mechanic	633023	mechanic				
007461	24	632967	PC clear	636757	mechanic						
007462	24	632967	PC clear			636756	mechanic				
007463	24	632967	PC clear	636757	mechanic	636756	mechanic				
007464	24	632967	PC clear	636757	mechanic						
007465	24	632967	PC clear			636756	mechanic				
007466	24	632967	PC clear	636757	mechanic	636756	mechanic				
007467	24	632967	PC clear	634804	inductive						
007468	24	632967	PC clear			634803	inductive				
007469	24	632967	PC clear	634804	inductive	634803	inductive				
007470	24	632967	PC clear			634807	Ex i NAMUR				
007472	24	632967	PC clear	634808	Ex i NAMUR	634807	Ex i NAMUR				
007698	24	632967	PC clear	634804	inductive	634803	inductive			561571	4 pin M16 x 1.5
007699	24	632967	PC clear	634804	inductive	634803	inductive			561571	4 pin M16 x 1.5
431476	24	632967	PC clear			636756	mechanic				
431477	24	632967	PC clear	636757	mechanic						
431478	24	632967	PC clear	636757	mechanic	636756	mechanic				
431479	24	632967	PC clear			636756	mechanic				
431480	24	632967	PC clear	636757	mechanic						
431481	24	632967	PC clear	636757	mechanic	636756	mechanic				
431488	24	632967	PC clear			633023	mechanic				
431489	24	632967	PC clear	633025	mechanic						
431490	24	632967	PC clear	633025	mechanic	633023	mechanic				
431491	24	632967	PC clear			633023	mechanic				
431492	24	632967	PC clear	633025	mechanic						
431493	24	632967	PC clear	633025	mechanic	633023	mechanic				
431500	24	632967	PC clear			634803	inductive				
431501	24	632967	PC clear	634804	inductive						
431502	24	632967	PC clear	634804	inductive	634803	inductive				
431503	24	632967	PC clear			634803	inductive				
431504	24	632967	PC clear	634804	inductive						
431505	24	632967	PC clear	634804	inductive	634803	inductive				
444181	24	632967	PC clear			636756	mechanic				
444182	24	632967	PC clear	636757	mechanic						
444183	24	632967	PC clear	636757	mechanic	636756	mechanic				
444184	24	632967	PC clear			633023	mechanic				
444185	24	632967	PC clear	633025	mechanic						
444186	24	632967	PC clear	633025	mechanic	633023	mechanic				
444188	24	632967	PC clear	634804	inductive						
444189	24	632967	PC clear	634804	inductive	634803	inductive				
552075	24	632967	PC clear	634804	inductive	634803	inductive				
552653	24	632967	PC clear			634803	inductive				
560407	24	632967	PC clear					563173	inductive open/closed		
560408	24	632967	PC clear					563173	inductive open/closed		
560409	24	632967	PC clear					563173	inductive open/closed		
560411	24	632967	PC clear					563184	inductive open/closed		
560412	24	632967	PC clear					563184	inductive open/closed		
560413	24	632967	PC clear					563184	inductive open/closed		
562563	24	632967	PC clear					563173	inductive open/closed		
562564	24	632967	PC clear					563173	inductive open/closed		
562565	24	632967	PC clear					563173	inductive open/closed		



2/2 way angle-seat valve, pneumatically controlled, with gun metal or stainless steel body

Diagram 25

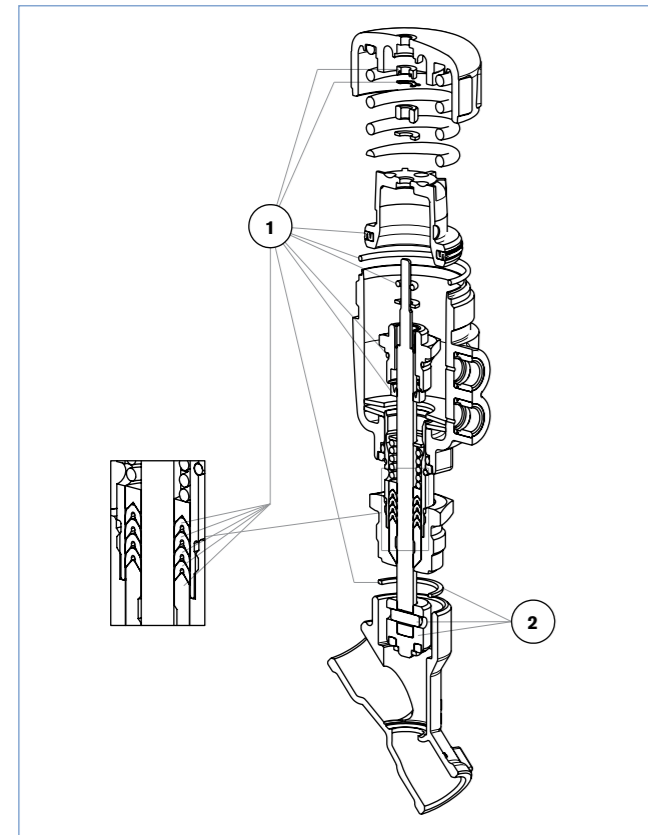


Diagram 27

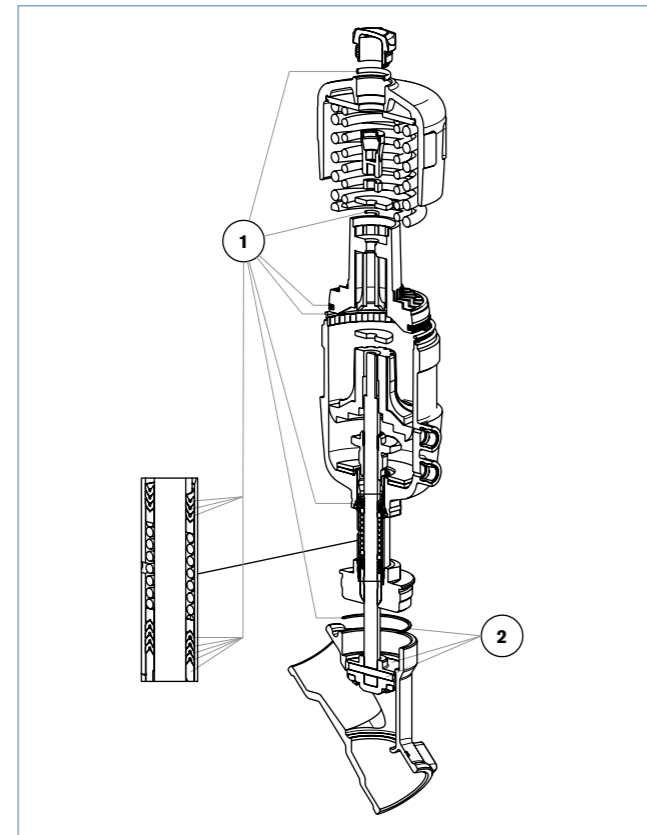
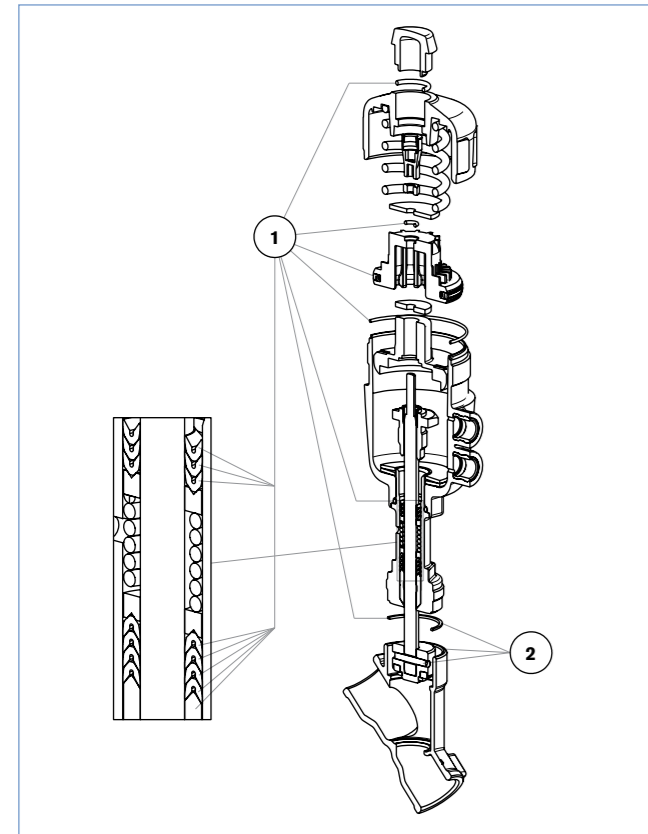


Diagram 26



Ordering Chart

Ordering chart table with columns: Article no., Diagram no., Pos. 1 Seal set, actuator (Order no., Material / Actuator), Pos. 2 Valve set, PTFE (Order no., Orifice / Material). Includes various material and size combinations.

Ordering chart table with columns: Article no., Diagram no., Pos. 1 Seal set, actuator (Order no., Material / Actuator), Pos. 2 Valve set, PTFE (Order no., Orifice / Material). Includes various material and size combinations.

2/2 way angle-seat valve, pneumatically controlled, with gun metal or stainless steel body



Ordering Chart

Ordering chart table with columns: Article no., Diagram no., Pos. 1 Seal set, actuator (Order no., Material / Actuator), Pos. 2 Valve set, PTFE (Order no., Orifice / Material). Includes various material and size combinations.

Ordering chart table with columns: Article no., Diagram no., Pos. 1 Seal set, actuator (Order no., Material / Actuator), Pos. 2 Valve set, PTFE (Order no., Orifice / Material). Includes various material and size combinations.



2/2 way angle-seat valve, pneumatically controlled, with gun metal or stainless steel body

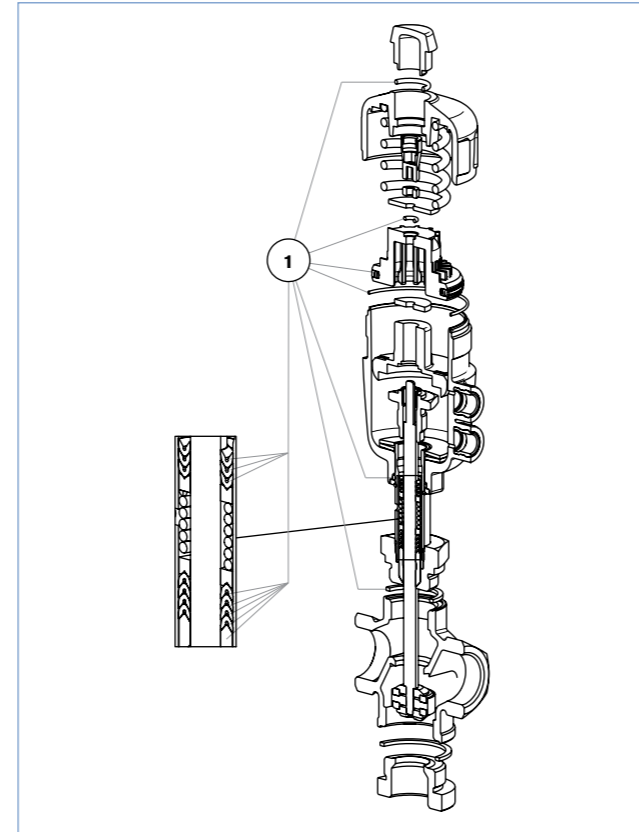


3/2 way valve, pneumatically controlled, with gun metal body

Ordering Chart

Article no. Complete unit	Diagram no.	Pos. 1 Seal set, actuator		Pos. 2 Valve set, PTFE	
		Order no.	Material / Actuator	Order no.	Orifice / Material
178676	26	011334	Brz Act. size E PA	159635	DN25 Brz
178677	26	011388	StSt Act. size D PPS	011171	DN20 StSt
178678	26	011369	Brz Act. size D PA	011171	DN20 StSt
178679	26	011373	Brz Act. size D PPS	010986	DN20 Brz
178680	26	011308	Brz Act. size D PA	010986	DN20 Brz
178681	26	011388	StSt Act. size D PPS	011134	DN13 StSt
178682	26	011369	StSt Act. size D PPS	011134	DN13 StSt
178683	26	011373	Brz Act. size D PPS	010984	DN13 Brz
178684	26	011308	Brz Act. size D PA	010984	DN13 Brz
178685	26	011388	StSt Act. size D PPS	011134	DN13 StSt
178686	26	011369	StSt Act. size D PA	011171	DN20 StSt
178687	26	011308	Brz Act. size D PA	010986	DN20 Brz
178688	26	011388	StSt Act. size D PPS	011134	DN13 StSt
178689	26	011369	StSt Act. size D PA	011134	DN13 StSt
178690	26	011373	Brz Act. size D PPS	010984	DN13 Brz
178691	26	011308	Brz Act. size D PA	010984	DN13 Brz
178692	26	007767	StSt Act. size F PPS	011209	DN40 StSt
178693	26	001902	StSt Act. size F PA	011209	DN40 StSt
178694	26	011375	Brz Act. size F PPS	011046	DN40 Brz
178695	26	011366	Brz Act. size F PA	011046	DN40 Brz
178696	26	007767	StSt Act. size F PPS	011208	DN32 StSt
178697	26	001902	StSt Act. size F PA	011208	DN32 StSt
178698	26	011375	Brz Act. size F PPS	011044	DN32 Brz
178699	26	011366	Brz Act. size F PA	011044	DN32 Brz
178845	26	011334	Brz Act. size E PA	011044	DN32 Brz
178847	26	011388	StSt Act. size D PPS	011202	DN25 StSt
178848	26	011369	StSt Act. size D PA	011202	DN25 StSt
178849	26	011373	Brz Act. size D PPS	010988	DN25 Brz
178850	26	011308	Brz Act. size D PA	010988	DN25 Brz
178851	26	007766	StSt Act. size E PPS	011208	DN32 StSt
178852	26	011372	StSt Act. size E PA	011208	DN32 StSt
178853	26	007765	Brz Act. size E PPS	011044	DN32 Brz
178854	26	007765	Brz Act. size E PPS	011044	DN32 Brz
178855	26	011334	Brz Act. size E PA	011044	DN32 Brz
178856	26	007766	StSt Act. size E PPS	160737	DN25 StSt
178857	26	011372	StSt Act. size E PA	160737	DN25 StSt
178859	26	007765	Brz Act. size E PPS	159635	DN25 Brz
178860	26	011334	Brz Act. size E PA	159635	DN25 Brz
178861	26	007766	StSt Act. size E PPS	011209	DN40 StSt
178862	26	011372	StSt Act. size E PA	011209	DN40 StSt
178863	26	007765	Brz Act. size E PPS	011046	DN40 Brz
178864	26	011334	Brz Act. size E PA	011046	DN40 Brz
178892	26	007766	StSt Act. size E PPS	011208	DN32 StSt
178893	26	011372	StSt Act. size E PA	011208	DN32 StSt
178894	26	007766	StSt Act. size E PPS	011209	DN40 StSt
178895	26	011372	StSt Act. size E PA	011209	DN40 StSt
178896	26	011334	Brz Act. size E PA	011046	DN40 Brz
178897	26	007765	Brz Act. size E PPS	011046	DN40 Brz
179020	26	011373	Brz Act. size D PPS	010986	DN20 Brz
180374	26	011373	Brz Act. size D PPS	010986	DN20 Brz
180375	26	011388	StSt Act. size D PPS	011171	DN20 StSt
180507	26	011372	StSt Act. size E PA	160737	DN25 StSt
183266	26	011372	StSt Act. size E PA	011209	DN40 StSt
183269	27	011386	StSt Act. size G PA	011214	DN50 StSt
183270	26	011372	StSt Act. size E PA	160737	DN25 StSt
183271	26	011369	StSt Act. size D PA	011134	DN13 StSt
183273	26	011369	StSt Act. size D PA	011171	DN20 StSt
183274	26	001902	StSt Act. size F PA	011209	DN40 StSt
183275	27	011386	StSt Act. size G PA	011214	DN50 StSt
183278	26	011369	StSt Act. size D PA	011134	DN13 StSt
183279	26	011369	StSt Act. size D PA	011171	DN20 StSt
183280	26	011372	StSt Act. size E PA	160737	DN25 StSt
183281	26	011372	StSt Act. size E PA	011209	DN40 StSt
183282	26	011372	StSt Act. size E PA	011214	DN50 StSt

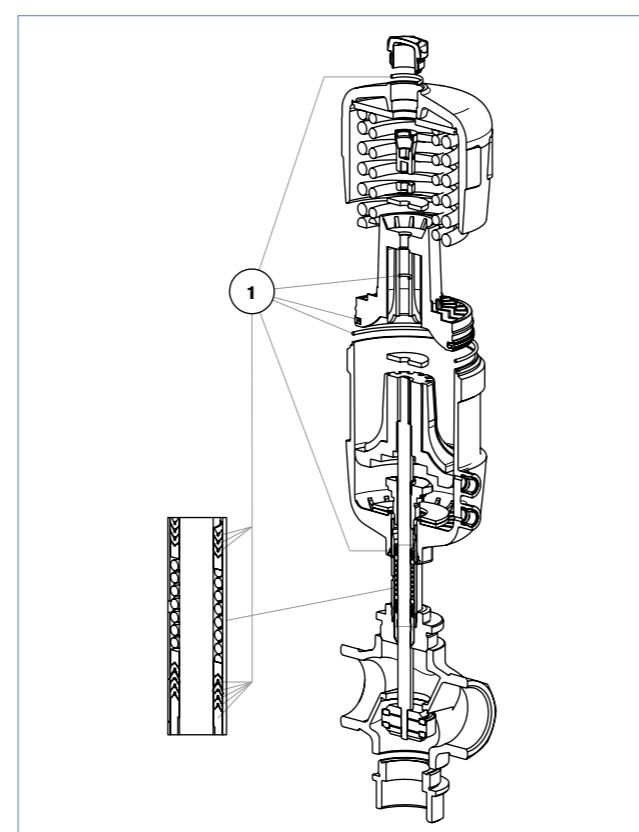
Diagram 28



Ordering Chart

Article no. Complete unit	Diagram no.	Pos. 1 Seal set	
		Order no.	PA-Actuator
002131	28	011308	Size D
002132	28	011308	Size D
002133	28	011334	Size E
002134	28	011366	Size F
002135	28	011366	Size F
002136	29	011368	Size H
002300	28	011334	Size E
002301	28	011334	Size E
002302	28	011368	Size H
002303	28	011368	Size H

Diagram 29



Free screening plant



The system screening includes the documentation for all installed valves, sensors and controllers, as well as an individual service recommendation.



2/2 way globe valve, pneumatically controlled, with stainless steel cast body

Diagram 30

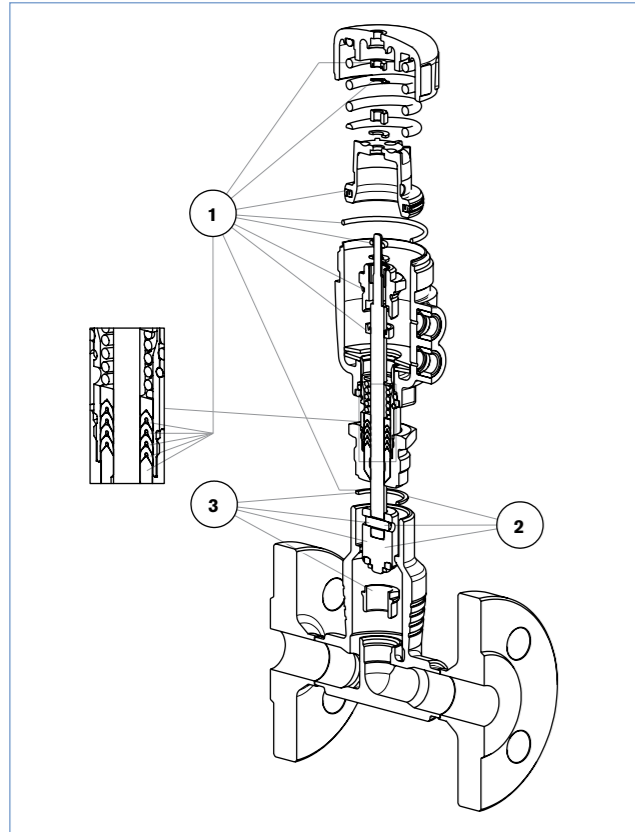


Diagram 32

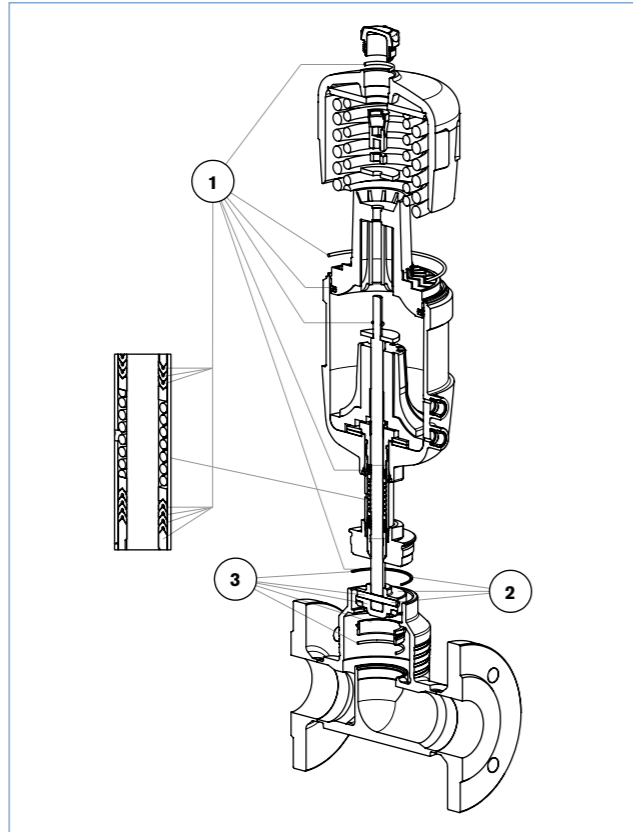


Diagram 31

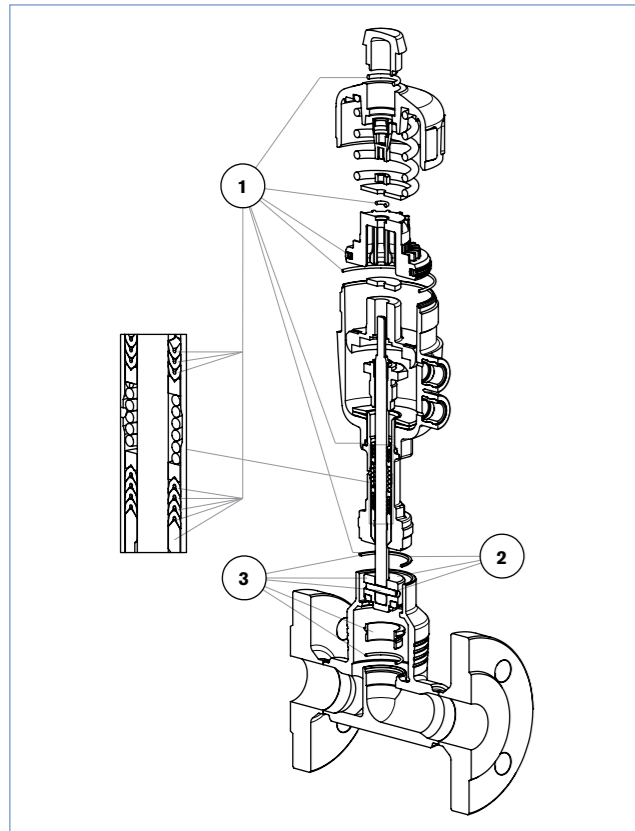
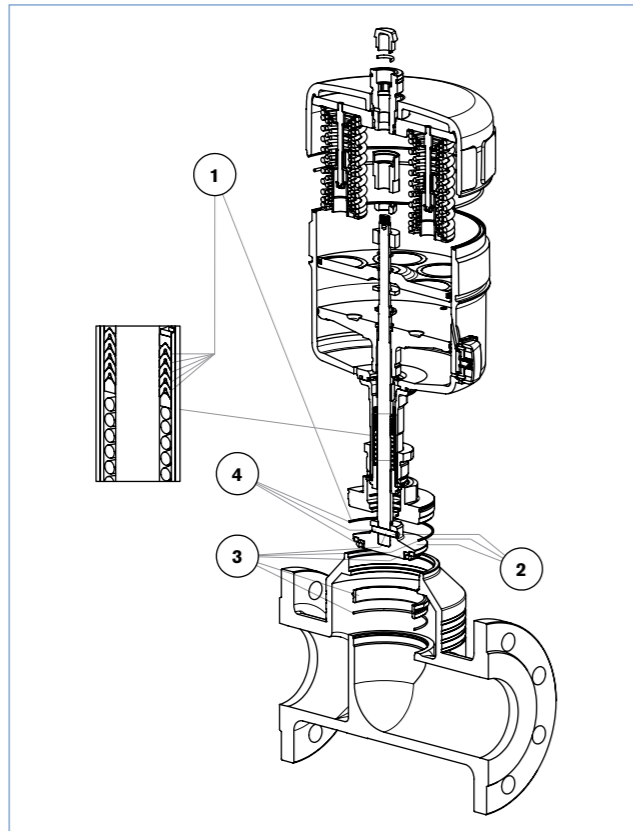


Diagram 33



Ordering Chart

Article no. Complete unit	Diagram no.	Pos. 1 Seal set, actuator		Pos. 2 Valve set, PTFE		Pos. 3 Valve fittings, process valve		Pos. 4 Seal set, pendulum disc	
		Order no.	Actuator Size / Material	Order no.	Orifice	Order no.	Orifice	Order no.	Orifice
146227	30	643438	C PA	149606	DN15	149608	DN15		
146232	30	643438	C PA	149606	DN15	149608	DN15		
146237	31	011369	D PA	149606	DN15	149608	DN15		
146242	31	011369	D PA	149606	DN15	149608	DN15		
146247	30	643438	C PA	149606	DN15	149608	DN15		
146253	30	643438	C PA	149606	DN15	149608	DN15		
146259	31	011369	D PA	149606	DN15	149608	DN15		
146265	31	011369	D PA	149606	DN15	149608	DN15		
146271	30	643438	C PA	011171	DN20	149664	DN20		
146277	30	643438	C PA	011171	DN20	149664	DN20		
146283	31	011369	D PA	011171	DN20	149664	DN20		
146289	31	011369	D PA	011171	DN20	149664	DN20		
146295	31	011372	E PA	011171	DN20	149664	DN20		
146299	31	011372	E PA	160737	DN25	149786	DN25		
146305	31	011372	E PA	160737	DN25	149786	DN25		
146310	31	001902	F PA	160737	DN25	149786	DN25		
146314	31	011372	E PA	011208	DN32	149787	DN32		
146318	31	011372	E PA	011208	DN32	149787	DN32		
146322	31	001902	F PA	011208	DN32	149787	DN32		
146327	31	001902	F PA	011209	DN40	149788	DN40		
146333	31	001902	F PA	011209	DN40	149788	DN40		
146339	32	011386	G PA	011209	DN40	149788	DN40		
146345	32	011386	G PA	011214	DN50	149789	DN50		
146351	32	011386	G PA	011214	DN50	149789	DN50		
146357	32	011387	H PA	011214	DN50	149789	DN50		
146362	30			149606	DN15	149608	DN15		
146366	30	643536	C PPS	149606	DN15	149608	DN15		
146370	31	011388	D PPS	149606	DN15	149608	DN15		
146374	31	011388	D PPS	149606	DN15	149608	DN15		
146378	31	011388	D PPS	149606	DN15	149608	DN15		
146382	31	011388	D PPS	149606	DN15	149608	DN15		
146386	31	011388	D PPS	011171	DN20	149664	DN20		
146390	31	007766	E PPS	011171	DN20	149664	DN20		
146394	31	007766	E PPS	160737	DN25	149786	DN25		
146398	31	007767	F PPS	160737	DN25	149786	DN25		
146402	31	007766	E PPS	011208	DN32	149787	DN32		
146406	31	007767	F PPS	011208	DN32	149787	DN32		
146410	31	007767	F PPS	011209	DN40	149788	DN40		
146414	32	007768	H PPS	011209	DN40	149788	DN40		
146418	32	011389	G PPS	011214	DN50	149789	DN50		
146422	32	007768	H PPS	011214	DN50	149789	DN50		
146427	30	643438	C PA	149606	DN15	149608	DN15		
146432	31	011369	D PA	149606	DN15	149608	DN15		
146437	30	643438	C PA	149606	DN15	149608	DN15		
146443	31	011369	D PA	149606	DN15	149608	DN15		
146448	30	643438	C PA	011171	DN20	149664	DN20		
146454	31	011369	D PA	011171	DN20	149664	DN20		
146460	31	011369	D PA	011202	DN25	161376	DN25		
146465	31	011372	E PA	011208	DN32	149787	DN32		
146476	31	001902	F PA	011209	DN40	149788	DN40		
146487	31	001902	F PA	011214	DN50	149789	DN50		
146492	31	011388	D PPS	149606	DN15	149608	DN15		
146496	31	011388	D PPS	149606	DN15	149608	DN15		
146500	31	011388	D PPS	011171	DN20	149664	DN20		
146504	31	011388	D PPS	011202	DN25	161376	DN25		
146508	31	007766	E PPS	011208	DN32	149787	DN32		
146512	31	007767	F PPS	011209	DN40	149788	DN40		
146516	31	007767	F PPS	011214	DN50	149789	DN50		
152743	32	011387	H PA	155490	DN65	155486	DN65		
152752	32	011387	H PA	155490	DN65	155486	DN65		
152761	33	155483	K+L PA	155491	DN65	155487	DN65		
152770	32	011387	H PA	155492	DN80	155488	DN80		
152779	33	155483	K+L PA	155492	DN80	155488	DN80	155494	DN80
152797	33	155484	K+L PA	155492	DN80	155488	DN80	155494	DN80
152806	32	011387	H PA	155493	DN100	155489	DN100		
152815	33	155485	K+L PA	155493	DN100	155489	DN100	155495	DN100

Ordering Chart

Article no. Complete unit	Diagram no.	Pos. 1 Seal set, actuator		Pos. 2 Valve set, PTFE		Pos. 3 Valve fittings, process valve		Pos. 4 Seal set, pendulum disc	
		Order no.	Actuator Size / Material	Order no.	Orifice	Order no.	Orifice	Order no.	Orifice
152824	33	155485	K+L PA	155493	DN100	155489	DN100		
152833	33	155485	K+L PA	155493	DN100	155489	DN100	155495	DN100
152842	32	011387	H PA	155490	DN65	155486	DN65		
152851	32	011387	H PA	155492	DN80	155488	DN80		
152860	32	011387	H PA	155493	DN100	155489	DN100		
155527	32	011387	H PA	155492	DN80	155488	DN80		
155546	32	011387	H PA	155493	DN100	155489	DN100		
156476	32	007768	H PPS	155490	DN65	155486	DN65		
156480	32	007768	H PPS	155490	DN65	155486	DN65		
156484	32			155492	DN80	155488	DN80	155494	DN80
156488	32	007768	H PPS	155492	DN80	155488	DN80		
156492	32			155493	DN100	155489	DN100	155495	DN100
156496	32	007768	H PPS	155493	DN100	155489	DN100		



2/2 way globe valve, pneumatically controlled, with stainless steel cast body



2/2 way diaphragm valve, pneumatically controlled, with plastic body

Diagram 34

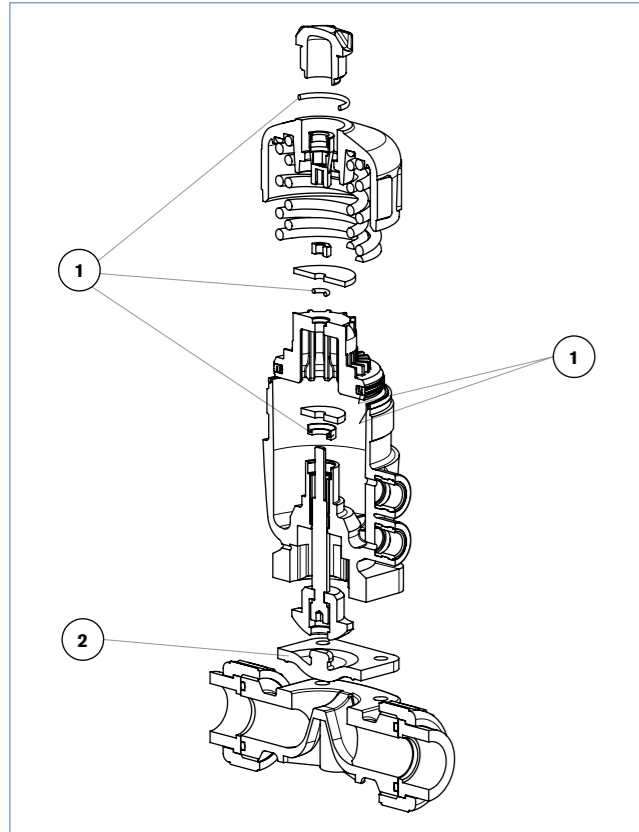


Diagram 36

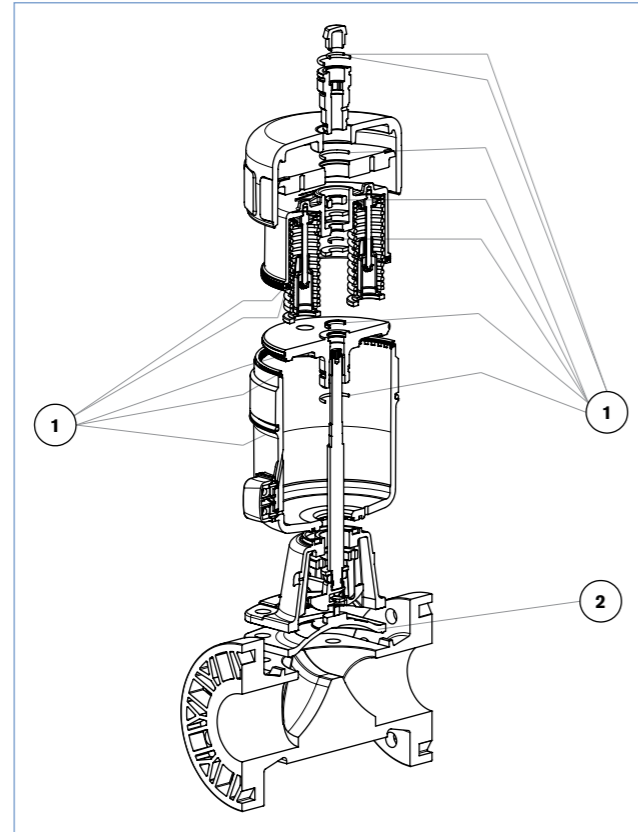


Diagram 35

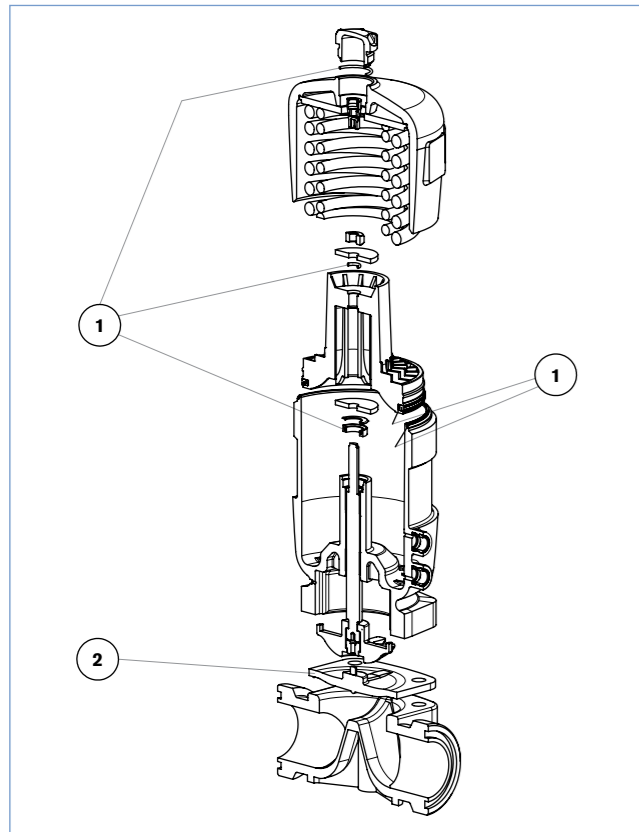
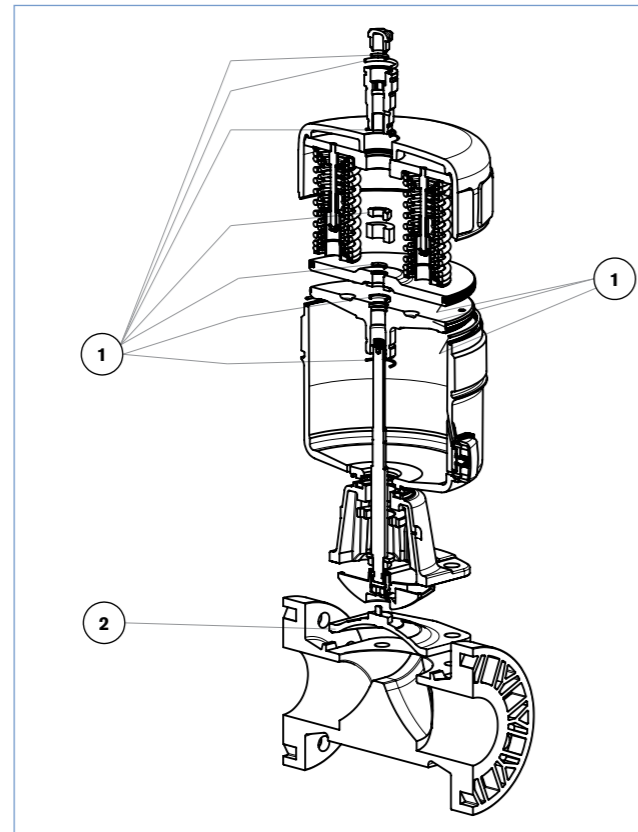


Diagram 37



Ordering Chart

Article no. Complete unit	Diagram no.	Pos. 1 Seal set, actuator, PA		Pos. 2 Diaphragm	
		Order no.	Actuator Size	Order no.	Orifice / Material
141447	34	011426	D	677664	DN15 EPDM
141448	34	011440	E	677664	DN15 EPDM
141449	34	011426	D	677664	DN15 EPDM
141450	34	011440	E	677664	DN15 EPDM
141451	34	011426	D	677664	DN15 EPDM
141452	34	011440	E	677664	DN15 EPDM
141453	34	011440	E	677675	DN15 PTFE/EPDM
141454	34	011440	E	677675	DN15 PTFE/EPDM
141455	34	011440	E	677675	DN15 PTFE/EPDM
141456	34	011440	E	677675	DN15 PTFE/EPDM
141458	34	011448	F	677665	DN20 EPDM
141459	34	011440	E	677665	DN20 EPDM
141460	34	011448	F	677665	DN20 EPDM
141461	34	011440	E	677665	DN20 EPDM
141462	34	011448	F	677665	DN20 EPDM
141463	34	011448	F	677676	DN20 PTFE/EPDM
141464	34	011448	F	677676	DN20 PTFE/EPDM
141465	34	011448	F	677676	DN20 PTFE/EPDM
141466	34	011448	F	677676	DN20 PTFE/EPDM
141467	34	011448	F	677667	DN25 EPDM
141468	34	011448	F	677667	DN25 EPDM
141469	34	011448	F	677667	DN25 EPDM
141470	34	011448	F	677677	DN25 PTFE/EPDM
141471	34	011448	F	677677	DN25 PTFE/EPDM
141472	34	011448	F	677677	DN25 PTFE/EPDM
141473	34	011448	F	677677	DN25 PTFE/EPDM
141474	35	012125	G	677668	DN32 EPDM
141475	35	012125	G	677668	DN32 EPDM
141476	35	012125	G	677678	DN32 PTFE/EPDM
141477	35	012125	G	677678	DN32 PTFE/EPDM
141478	35	012125	G	677678	DN32 PTFE/EPDM
141479	35	012125	G	677678	DN32 PTFE/EPDM
141480	35	012125	G	677669	DN40 EPDM
141481	35	011464	H	677669	DN40 EPDM
141482	35	012125	G	677669	DN40 EPDM
141483	35	011464	H	677669	DN40 EPDM
141484	35	011464	H	677669	DN40 EPDM
141485	35	011464	H	677679	DN40 PTFE/EPDM
141486	35	011464	H	677679	DN40 PTFE/EPDM
141487	35	011464	H	677679	DN40 PTFE/EPDM
141488	35	011464	H	677679	DN40 PTFE/EPDM
141489	35	011464	H	677670	DN50 EPDM
141490	35	011464	H	677670	DN50 EPDM
141491	35	011464	H	677680	DN50 PTFE/EPDM
141492	35	011464	H	677680	DN50 PTFE/EPDM
141493	35	011464	H	677680	DN50 PTFE/EPDM
141494	35	011464	H	677680	DN50 PTFE/EPDM
141495	34	011426	D	677664	DN15 EPDM
141496	34	011440	E	677664	DN15 EPDM
141497	34	011426	D	677664	DN15 EPDM
141498	34	011440	E	677664	DN15 EPDM
141499	34	011426	D	677664	DN15 EPDM
141500	34	011440	E	677664	DN15 EPDM
141501	34	011440	E	677675	DN15 PTFE/EPDM
141502	34	011440	E	677675	DN15 PTFE/EPDM
141503	34	011440	E	677675	DN15 PTFE/EPDM
141504	34	011440	E	677675	DN15 PTFE/EPDM
141505	34	011440	E	677665	DN20 EPDM
141507	34	011440	E	677665	DN20 EPDM
141508	34	011448	F	677665	DN20 EPDM
141509	34	011440	E	677665	DN20 EPDM
141512	34	011448	F	677676	DN20 PTFE/EPDM
141513	34	011448	F	677676	DN20 PTFE/EPDM
141514	34	011448	F	677676	DN20 PTFE/EPDM
141515	34	011448	F	677676	DN20 PTFE/EPDM
141516	34	011448	F	677667	DN25 EPDM

2/2 way diaphragm valve, pneumatically controlled, with plastic body



Ordering Chart

Article no. Complete unit	Diagram no.	Pos. 1 Seal set, actuator, PA		Pos. 2 Diaphragm	
		Order no.	Actuator Size	Order no.	Orifice / Material
154791	35	011464	H	677669	DN40 EPDM
154792	35	012125	G	677679	DN40 PTFE/EPDM
154793	35	011464	H	677679	DN40 PTFE/EPDM
154794	35	011464	H	677670	DN50 EPDM
154795	35	011464	H	677680	DN50 PTFE/EPDM
154796	34	011426	D	677675	DN15 PTFE/EPDM
154797	34	011440	E	677675	DN15 PTFE/EPDM
154798	34	011440	E	677676	DN20 PTFE/EPDM
154799	34	011448	F	677676	DN20 PTFE/EPDM
154800	34	011448	F	677677	DN25 PTFE/EPDM
154801	35	012125	G	677678	DN32 PTFE/EPDM
154802	35	012125	G	677679	DN40 PTFE/EPDM
154803	35	011464	H	677679	DN40 PTFE/EPDM
154804	35	011464	H	677680	DN50 PTFE/EPDM
154805	34	011426	D	677664	DN15 EPDM
154807	34	011440	E	677675	DN15 PTFE/EPDM
154808	34	011440	E	677665	DN20 EPDM
154810	34	011448	F	677676	DN20 PTFE/EPDM
154811	34	011448	F	677667	DN25 EPDM
154812	34	011448	F	677677	DN25 PTFE/EPDM
154813	35	012125	G	677668	DN32 EPDM
154814	35	012125	G	677678	DN32 PTFE/EPDM
154815	35	012125	G	677669	DN40 EPDM
154817	35	011464	H	677679	DN40 PTFE/EPDM
154818	35	011464	H	677670	DN50 EPDM
154819	35	011464	H	677680	DN50 PTFE/EPDM
154820	34	011440	E	677675	DN15 PTFE/EPDM
154821	34	011448	F	677676	DN20 PTFE/EPDM
154822	34	011448	F	677677	DN25 PTFE/EPDM
154823	35	012125	G	677678	DN32 PTFE/EPDM
154824	35	011464	H	677679	DN40 PTFE/EPDM
154825	35	011464	H	677680	DN50 PTFE/EPDM



2/2 way diaphragm valve, pneumatically controlled, with stainless steel body

Diagram 38

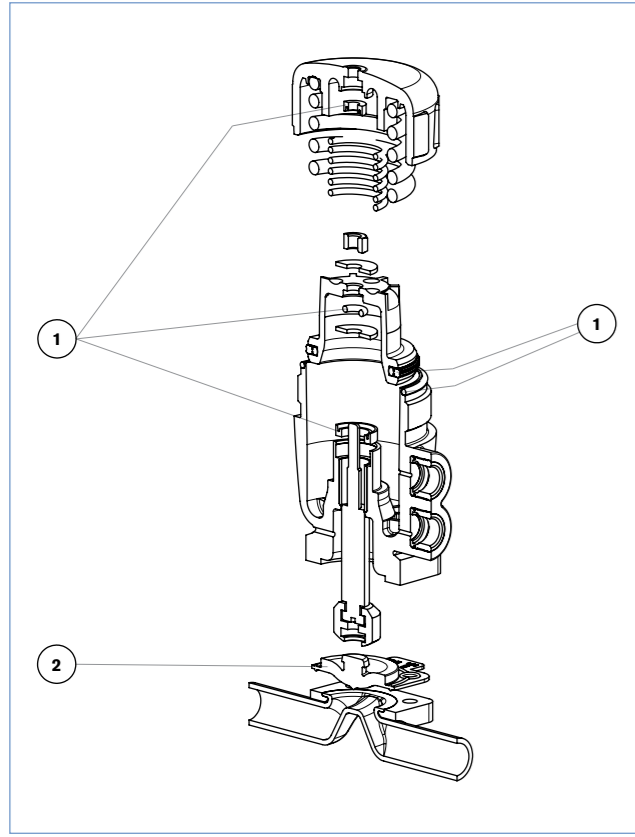


Diagram 40

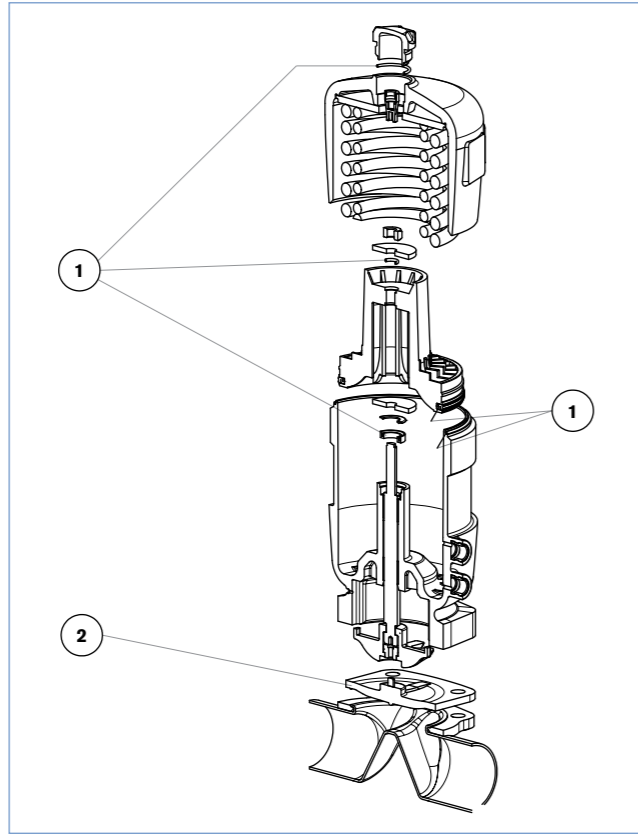


Diagram 39

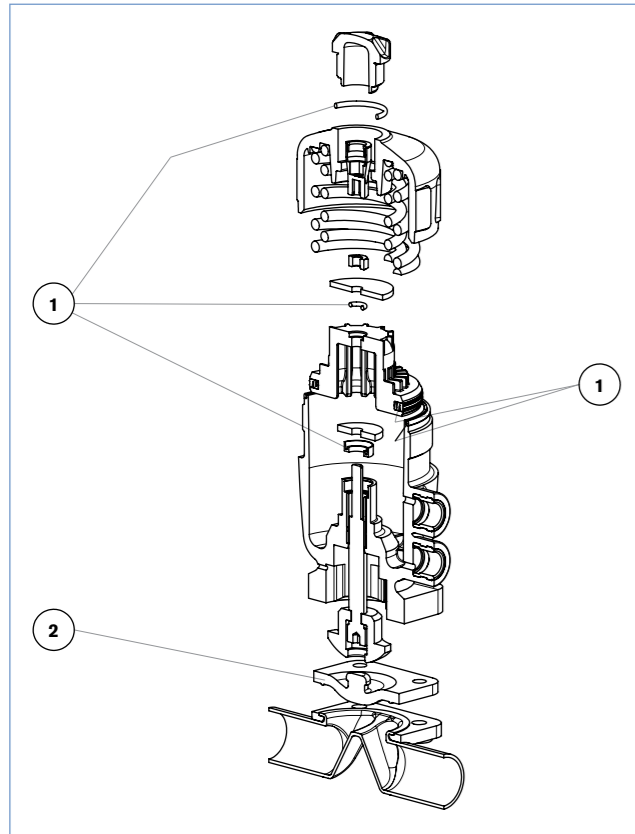


Diagram 41

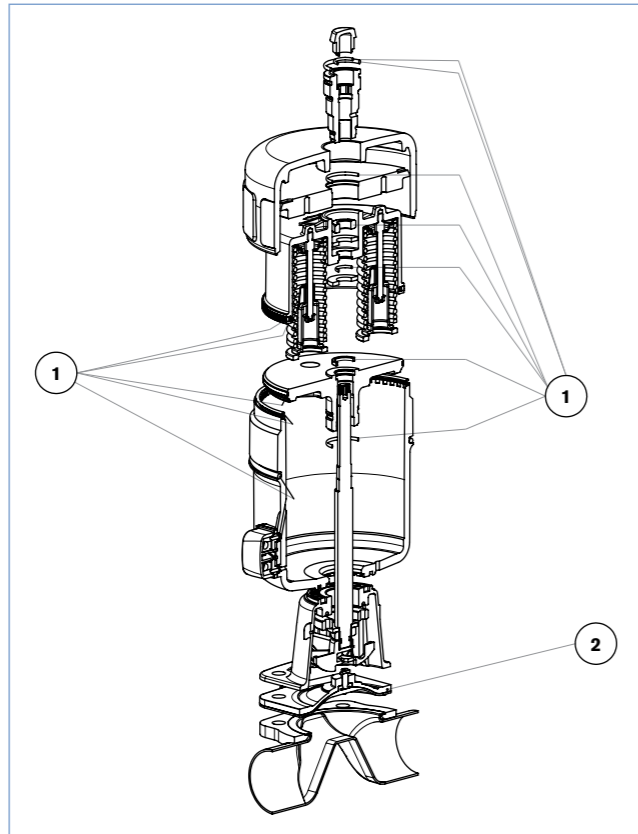
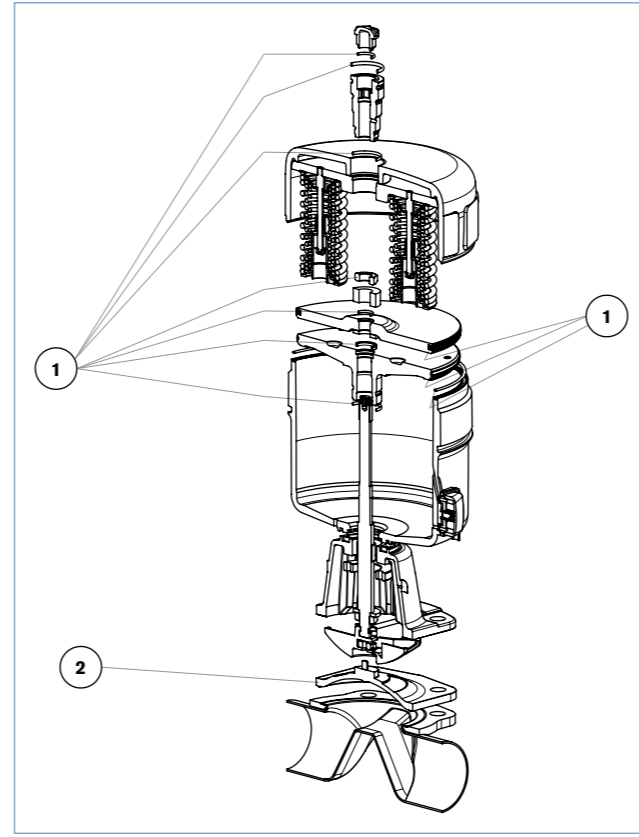


Diagram 42



Ordering Chart

Article no. Complete unit	Diagram no.	Pos. 1 Seal set, actuator		Pos. 2 Diaphragm	
		Order no.	Material / Actuator size	Order no.	Orifice / Material
134305	39	011488	PPS E	677664	DN15 EPDM
134306	39	011492	PPS F	677665	DN20 EPDM
134307	39	011492	PPS F	677667	DN25 EPDM
134308	40	012127	PPS G	677668	DN32 EPDM
134309	40	011494	PPS H	677669	DN40 EPDM
134310	40	011494	PPS H	677670	DN50 EPDM
134311	39	011488	PPS E	677675	DN15 PTFE/EPDM
134312	39	011492	PPS F	677676	DN20 PTFE/EPDM
134313	39	011492	PPS F	677677	DN25 PTFE/EPDM
134314	40	012127	PPS G	677678	DN32 PTFE/EPDM
134315	40	011494	PPS H	677679	DN40 PTFE/EPDM
134316	40	011494	PPS H	677680	DN50 PTFE/EPDM
135442	38	011465	PPS C	677663	DN8 EPDM
135443	38	011465	PPS C	677663	DN8 EPDM
135446	38	011465	PPS C	677674	DN8 PTFE/EPDM
135447	38	011465	PPS C	677674	DN8 PTFE/EPDM
135459	39	011477	PPS D	677664	DN15 EPDM
135461	39	011477	PPS D	677664	DN15 EPDM
135470	39	011488	PPS E	677664	DN15 EPDM
135474	39	011488	PPS E	677675	DN15 PTFE/EPDM
135481	39	011488	PPS E	677665	DN20 EPDM
135483	39	011488	PPS E	677665	DN20 EPDM
135491	39	011492	PPS F	677665	DN20 EPDM
135493	39	011492	PPS F	677676	DN20 PTFE/EPDM
135503	39			677667	DN25 EPDM
135505	39	011488	PPS E	677667	DN25 EPDM
135513	39	011492	PPS F	677667	DN25 EPDM
135516	39	011492	PPS F	677677	DN25 PTFE/EPDM
135527	40	012127	PPS G	677668	DN32 EPDM
135533	40	012127	PPS G	677668	DN32 EPDM
135535	40	012127	PPS G	677668	DN32 EPDM
135542	40	012127	PPS G	677678	DN32 PTFE/EPDM
135548	40	012127	PPS G	677669	DN40 EPDM
135550	40	012127	PPS G	677669	DN40 EPDM
135557	40	011494	PPS H	677669	DN40 EPDM
135563	40	012127	PPS G	677669	DN40 EPDM
135565	40	012127	PPS G	677669	DN40 EPDM
135572	40	011494	PPS H	677679	DN40 PTFE/EPDM
135578	40			677670	DN50 EPDM
135580	40	012127	PPS G	677670	DN50 EPDM
135587	40	011494	PPS H	677670	DN50 EPDM
135594	40	011494	PPS H	677680	DN50 PTFE/EPDM
137100	39	011426	PA D	677664	DN15 EPDM
137101	39	011477	PPS D	677664	DN15 EPDM
137102	39	011440	PA E	677664	DN15 EPDM
137103	39	011488	PPS E	677664	DN15 EPDM
137104	39	011440	PA E	677675	DN15 PTFE/EPDM
137105	39	011488	PPS E	677675	DN15 PTFE/EPDM
137106	39	011440	PA E	677665	DN20 EPDM
137107	39	011488	PPS E	677665	DN20 EPDM
137108	39	011448	PA F	677665	DN20 EPDM
137109	39	011492	PPS F	677665	DN20 EPDM
137110	39	011440	PA E	677676	DN20 PTFE/EPDM
137111	39	011492	PPS F	677676	DN20 PTFE/EPDM
137112	39			677667	DN25 EPDM
137113	39			677667	DN25 EPDM
137114	39	011448	PA F	677667	DN25 EPDM

2/2 way diaphragm valve, pneumatically controlled, with stainless steel body



Ordering Chart

Article no. Complete unit	Diagram no.	Pos. 1 Seal set, actuator		Pos. 2 Diaphragm	
		Order no.	Material / Actuator size	Order no.	Orifice / Material
137115	39	011492	PPS F	677667	DN25 EPDM
137116	39	011448	PA F	677677	DN25 PTFE/EPDM
137117	39	011492	PPS F	677677	DN25 PTFE/EPDM
137118	40	012125	PA G	677668	DN32 EPDM
137119	40	012127	PPS G	677668	DN32 EPDM
137120	40	012125	PA G	677668	DN32 EPDM
137121	40	012127	PPS G	677668	DN32 EPDM
137122	40	011448	PA F	677678	DN32 PTFE/EPDM
137123	40	012127	PPS G	677678	DN32 PTFE/EPDM
137124	40	012125	PA G	677669	DN40 EPDM
137125	40	012127	PPS G	677669	DN40 EPDM
137126	40	011464	PA H	677669	DN40 EPDM
137127	40	011464	PPS H	677669	DN40 EPDM
137128	40	012125	PA G	677669	DN40 EPDM
137129	40	012127	PPS G	677669	DN40 EPDM
137130	40	011464	PA H	677679	DN40 PTFE/EPDM
137131	40	011494	PPS H	677679	DN40 PTFE/EPDM
137132	40			677670	DN50 EPDM
137133	40			677670	DN50 EPDM
137134	40	011464	PA H	677670	DN50 EPDM
137135	40	011494	PPS H	677670	DN50 EPDM
137136	40	011464	PA H	677680	DN50 PTFE/EPDM
137137	40	011494	PPS H	677680	DN50 PTFE/EPDM
138510	38			677663	DN8 EPDM
138512	38			677674	DN8 PTFE/EPDM
138514	39	011477	PPS D	677664	DN15 EPDM
138516	39	011488	PPS E	677664	DN15 EPDM
138518	39	011488	PPS E	677675	DN15 PTFE/EPDM
138521	39	011440	PA E	677664	DN15 EPDM
138522	39	011488	PPS E	677664	DN15 EPDM
138523	39	011440	PA E	677675	DN15 PTFE/EPDM
138524	39	011488	PPS E	677675	DN15 PTFE/EPDM
138525	39			677665	DN20 EPDM
138526	39			677665	DN20 EPDM
138527	39	011448	PA F	677665	DN20 EPDM
138528	39	011492	PPS F	677665	DN20 EPDM
138529	39	011448	PA F	677676	DN20 PTFE/EPDM
138530	39	011492	PPS F	677676	DN20 PTFE/EPDM
138533	39			677667	DN25 EPDM
138534	39			677667	DN25 EPDM
138535	39			677677	DN25 PTFE/EPDM
138536	39			677677	DN25 PTFE/EPDM
138537	40	012125	PA G	677668	DN32 EPDM
138538	40	012127	PPS G	677668	DN32 EPDM
138539	40	012125	PA G	677668	DN32 EPDM
138540	40	012127	PPS G	677668	DN32 EPDM
138541	40	012125	PA G	677678	DN32 PTFE/EPDM
138542	40	012127	PPS G	677678	DN32 PTFE/EPDM
138543	40			677669	DN40 EPDM
138544	40			677669	DN40 EPDM
138545	40	011464	PA H	677669	DN40 EPDM
138546	40	011494	PPS H	677669	DN40 EPDM
138547	40			677669	DN40 EPDM
141290	39	011426	PA D	677675	DN15 PTFE/EPDM
141569	39	011426	PA D	677664	DN15 EPDM
141570	39	011440	PA E	677664	DN15 EPDM
141571	39	011426	PA D	677664	DN15 EPDM

Article no. Complete unit	Diagram no.	Pos. 1 Seal set, actuator		Pos. 2 Diaphragm	
		Order no.	Material / Actuator size	Order no.	Orifice / Material
141572	39	011440	PA E	677664	DN15 EPDM
141573	39	011426	PA D	677664	DN15 EPDM
141574	39	011440	PA E	677664	DN15 EPDM
141575	39	011440	PA E	677675	DN15 PTFE/EPDM
141576	39	011440	PA E	677675	DN15 PTFE/EPDM
141577	39	011440	PA E	677675	DN15 PTFE/EPDM
141578	39	011440	PA E	677665	DN20 EPDM
141579	39	011448	PA F	677665	DN20 EPDM
141580	39	011440	PA E	677665	DN20 EPDM
141581	39	011448	PA F	677665	DN20 EPDM
141582	39	011448	PA F	677676	DN20 PTFE/EPDM
141583	39	011448	PA F	677676	DN20 PTFE/EPDM
141584	39	011440	PA E	677667	DN25 EPDM
141585	39	011448	PA F	677667	DN25 EPDM
141586	39			677667	DN25 EPDM
141587	39	011448	PA F	677667	DN25 EPDM
141588	39	011448	PA F	677677	DN25 PTFE/EPDM
141589	39	011448	PA F	677677	DN25 PTFE/EPDM
141590	40	012125	PA G	677668	DN32 EPDM
141591	40	012125	PA G	677668	DN32 EPDM
141592	40	012125	PA G	677668	DN32 EPDM
141593	40	012125	PA G	677668	DN32 EPDM
141594	40	012125	PA G	677678	DN32 PTFE/EPDM
141595	40	012125	PA G	677678	DN32 PTFE/EPDM
141596	40	012125	PA G	677669	DN40 EPDM
141597	40	012125	PA G	677669	DN40 EPDM
141598	40	011464	PA H	677669	DN40 EPDM
141599	40	012125	PA G	677669	DN40 EPDM
141600	40	012125	PA G	677669	DN40 EPDM
141601	40	011464	PA H	677669	DN40 EPDM
141604	40	011464	PA H	677679	DN40 PTFE/EPDM
141605	40	011464	PA H	677679	DN40 PTFE/EPDM
141607	40	012125	PA G	677670	DN50 EPDM
141608	40	011464	PA H	677670	DN50 EPDM
141610	40			677670	DN50 EPDM
141611	40	011464	PA H	677670	DN50 EPDM
141613	40	011464	PA H	677680	DN50 PTFE/EPDM
141614	40	011464	PA H	677680	DN50 PTFE/EPDM
141652	40	012125	PA G	677679	DN40 PTFE/EPDM
143055	39	011477	PPS D	677675	DN15 PTFE/EPDM
143056	39	011440	PA E	677676	DN20 PTFE/EPDM
143057	39	011488	PPS E	677676	DN20 PTFE/EPDM
143058	40	012127	PPS G	677679	DN40 PTFE/EPDM
143059	40			677680	DN50 PTFE/EPDM
143060	40			677679	DN40 PTFE/EPDM
143076	39	011426	PA D	677675	DN15 PTFE/EPDM
143077	39	011477	PPS D	677675	DN15 PTFE/EPDM
143078	39	011426	PA D	677675	DN15 PTFE/EPDM
143079	39	011477	PPS D	677675	DN15 PTFE/EPDM
143080	39	011426	PA D	677675	DN15 PTFE/EPDM
143081	39	011477	PPS D	677675	DN15 PTFE/EPDM
143082	39			677675	DN15 PTFE/EPDM
143083	39			677675	DN15 PTFE/EPDM
143086	39	011440	PA E	677676	DN20 PTFE/EPDM
143087	39	011488	PPS E	677664	DN20 PTFE/EPDM
143088	39			677676	DN20 PTFE/EPDM
143089	39			677676	DN20 PTFE/EPDM



2/2 way diaphragm valve, pneumatically controlled, with stainless steel body

Ordering Chart

Table with columns: Article no., Diagram no., Pos. 1 Seal set, actuator, Pos. 2 Diaphragm, Orifice / Material. Lists various valve configurations and their corresponding part numbers.

Table with columns: Article no., Diagram no., Pos. 1 Seal set, actuator, Pos. 2 Diaphragm, Orifice / Material. Lists various valve configurations and their corresponding part numbers.

Ordering Chart

Table with columns: Article no., Diagram no., Pos. 1 Seal set, actuator, Pos. 2 Diaphragm, Orifice / Material. Lists various valve configurations and their corresponding part numbers.

Table with columns: Article no., Diagram no., Pos. 1 Seal set, actuator, Pos. 2 Diaphragm, Orifice / Material. Lists various valve configurations and their corresponding part numbers.

Ordering Chart

Table with columns: Article no., Diagram no., Pos. 1 Seal set, actuator, Pos. 2 Diaphragm, Orifice / Material. Lists various valve configurations and their corresponding part numbers.



2/2 way diaphragm valve, pneumatically controlled, with stainless steel body



2/2 way angle-seat control valve

Diagram 57

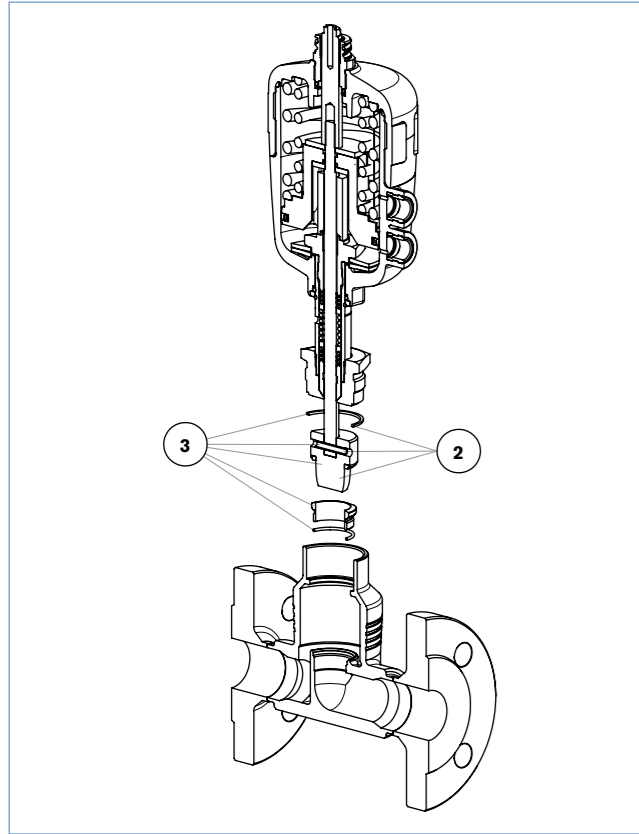
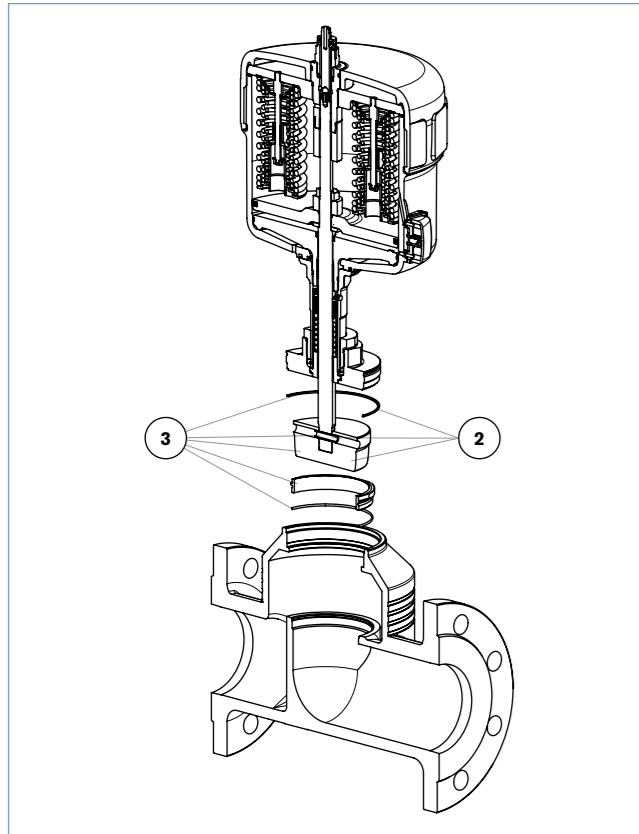


Diagram 58



Ordering Chart

Table with columns: Article no., Complete unit, Diagram no., Pos. 2 Control cone set (Order no., Orifice / Material), Pos. 3 Control fittings (Order no., Orifice / Material). Lists various valve configurations and part numbers.

Ordering Chart

Table with columns: Article no., Complete unit, Diagram no., Pos. 2 Control cone set (Order no., Orifice / Material), Pos. 3 Control fittings (Order no., Orifice / Material). Lists various valve configurations and part numbers.

Table with columns: Article no., Complete unit, Diagram no., Pos. 2 Control cone set (Order no., Orifice / Material), Pos. 3 Control fittings (Order no., Orifice / Material). Lists various valve configurations and part numbers.

Ordering Chart

Table with columns: Article no., Complete unit, Diagram no., Pos. 2 Control cone set (Order no., Orifice / Material), Pos. 3 Control fittings (Order no., Orifice / Material). Lists various valve configurations and part numbers.

Table with columns: Article no., Complete unit, Diagram no., Pos. 2 Control cone set (Order no., Orifice / Material), Pos. 3 Control fittings (Order no., Orifice / Material). Lists various valve configurations and part numbers.



2/2 way angle-seat control valve



2/2 way angle-seat control valve

Ordering Chart

Article no. Complete unit	Diagram no.	Pos. 2 Control cone set		Pos. 3 Control fittings	
		Order no.	Orifice / Material	Order no.	Orifice / Material
147101	57	149949	DN25 PTFE	150055	DN25 PTFE
147102	57	149949	DN25 PTFE	150055	DN25 PTFE
147103	57	149949	DN25 PTFE	150055	DN25 PTFE
147105	57	149949	DN25 PTFE	150055	DN25 PTFE
147106	57	149946	DN20 PTFE	150052	DN20 PTFE
147107	57	149949	DN25 PTFE	150055	DN25 PTFE
147108	57	149949	DN25 PTFE	150055	DN25 PTFE
147109	57	149949	DN25 PTFE	150055	DN25 PTFE
147110	57	149949	DN25 PTFE	150055	DN25 PTFE
147113	57	149946	DN20 PTFE	150052	DN20 PTFE
147115	57	149950	DN25 PTFE	150056	DN25 PTFE
147116	57	149950	DN25 PTFE	150056	DN25 PTFE
147117	57	149950	DN25 PTFE	150056	DN25 PTFE
147118	57	149950	DN25 PTFE	150056	DN25 PTFE
147121	57	149950	DN25 PTFE	150056	DN25 PTFE
147122	57	149950	DN25 PTFE	150056	DN25 PTFE
147125	57	149950	DN25 PTFE	150056	DN25 PTFE
147126	57				
147127	57	150001	DN25 PTFE	150057	DN25 PTFE
147128	57	150001	DN25 PTFE	150057	DN25 PTFE
147129	57	150001	DN25 PTFE	150057	DN25 PTFE
147131	57	150001	DN25 PTFE	150057	DN25 PTFE
147132	57				
147135	57	150001	DN25 PTFE	150057	DN25 PTFE
147141	57	150002	DN32 PTFE	150058	DN32 PTFE
147142	57	150002	DN32 PTFE	150058	DN32 PTFE
147143	57	150002	DN32 PTFE	150058	DN32 PTFE
147144	57	150002	DN32 PTFE	150058	DN32 PTFE
147147	57	150002	DN32 PTFE	150058	DN32 PTFE
147148	57	150002	DN32 PTFE	150058	DN32 PTFE
147150	57	150002	DN32 PTFE	150058	DN32 PTFE
147152	57				
147153	57	150003	DN32 PTFE	150059	DN32 PTFE
147154	57	150003	DN32 PTFE	150059	DN32 PTFE
147156	57	150003	DN32 PTFE	150059	DN32 PTFE
147157	57				
147160	57	150003	DN32 PTFE	150059	DN32 PTFE
147165	57				
147166	57	150004	DN32 PTFE	150060	DN32 PTFE
147167	57	150004	DN32 PTFE	150060	DN32 PTFE
147169	57	150004	DN32 PTFE	150060	DN32 PTFE
147171	57				
147173	57	150004	DN32 PTFE	150060	DN32 PTFE
147179	57				
147180	57	150006	DN40 PTFE	150071	DN40 PTFE
147181	57	150006	DN40 PTFE	150071	DN40 PTFE
147182	57	150006	DN40 PTFE	150071	DN40 PTFE
147183	57	150006	DN40 PTFE	150071	DN40 PTFE
147187	57	150006	DN40 PTFE	150071	DN40 PTFE
147188	57				
147189	57				
147190	57	150006	DN40 PTFE	150071	DN40 PTFE
147191	57	150006	DN40 PTFE	150071	DN40 PTFE
147192	57	150006	DN40 PTFE	150071	DN40 PTFE
147194	57	150006	DN40 PTFE	150071	DN40 PTFE

Article no. Complete unit	Diagram no.	Pos. 2 Control cone set		Pos. 3 Control fittings	
		Order no.	Orifice / Material	Order no.	Orifice / Material
147196	57				
147197	57	150007	DN40 PTFE	150072	DN40 PTFE
147198	57	150007	DN40 PTFE	150072	DN40 PTFE
147202	57				
147204	57	150007	DN40 PTFE	150072	DN40 PTFE
147205	57	150007	DN40 PTFE	150072	DN40 PTFE
147210	57				
147211	57	150008	DN50 PTFE	150073	DN50 PTFE
147212	57	150008	DN50 PTFE	150073	DN50 PTFE
147213	57	150008	DN50 PTFE	150073	DN50 PTFE
147214	57	150008	DN50 PTFE	150073	DN50 PTFE
147215	57	150008	DN50 PTFE	150073	DN50 PTFE
147216	57				
147217	57				
147218	57	150008	DN50 PTFE	150073	DN50 PTFE
147219	57	150008	DN50 PTFE	150073	DN50 PTFE
147221	57	150008	DN50 PTFE	150073	DN50 PTFE
147222	57	150008	DN50 PTFE	150073	DN50 PTFE
147469	57	155626	DN50 StSt	155650	DN50 StSt
148413	57	149935	DN8 StSt	150012	DN8 StSt
148415	57	149935	DN8 StSt	150012	DN8 StSt
148422	57	149912	DN10 StSt	150013	DN10 StSt
148430	57	149915	DN15 StSt	150015	DN15 StSt
148456	57	149953	DN25 StSt	150021	DN25 StSt
148472	57				
148485	57				
151376	57	152696	DN6 StSt	152695	DN6 StSt
153591	57	155641	DN65 PTFE	155665	DN65 PTFE
153878	58	155642	DN65 PTFE	155666	DN65 PTFE
154642	58	155633	DN80 StSt	155657	DN80 StSt
154643	58	155635	DN100 StSt	155659	DN100 StSt
155277	58	155635	DN100 StSt	155659	DN100 StSt
155302	58	155639	DN50 PTFE	155663	DN50 PTFE
155304	58	155645	DN80 PTFE	155669	DN80 PTFE
155305	58	155643	DN65 PTFE	155667	DN65 PTFE
155307	58	155647	DN100 PTFE	155671	DN100 PTFE
155743	57				
155744	57	155624	DN40 StSt	155648	DN40 StSt
155746	57	155624	DN40 StSt	155648	DN40 StSt
155748	57	155624	DN40 StSt	155648	DN40 StSt
155749	57	155624	DN40 StSt	155648	DN40 StSt
155750	57	155624	DN40 StSt	155648	DN40 StSt
155753	57				
155763	58	155625	DN40 StSt	155649	DN40 StSt
155764	58	155625	DN40 StSt	155649	DN40 StSt
155782	57				
155784	57	155626	DN50 StSt	155650	DN50 StSt
155785	57	155626	DN50 StSt	155650	DN50 StSt
155787	57	155626	DN50 StSt	155650	DN50 StSt
155788	57	155626	DN50 StSt	155650	DN50 StSt
155789	57				
155792	57	155626	DN50 StSt	155650	DN50 StSt
155795	57	155626	DN50 StSt	155650	DN50 StSt
155799	57				
155801	58	155627	DN50 StSt	155651	DN50 StSt

Ordering Chart

Article no. Complete unit	Diagram no.	Pos. 2 Control cone set		Pos. 3 Control fittings	
		Order no.	Orifice / Material	Order no.	Orifice / Material
155802	58	155627	DN50 StSt	155651	DN50 StSt
155804	58	155627	DN50 StSt	155651	DN50 StSt
155805	58	155627	DN50 StSt	155651	DN50 StSt
155816	58	155627	DN50 StSt	155651	DN50 StSt
155821	58	155628	DN50 StSt	155652	DN50 StSt
155822	58	155628	DN50 StSt	155652	DN50 StSt
155828	58	155628	DN50 StSt	155652	DN50 StSt
155829	58	155628	DN50 StSt	155652	DN50 StSt
155831	58	155628	DN50 StSt	155652	DN50 StSt
155838	57				
155839	57	155629	DN65 StSt	155653	DN65 StSt
155841	57	155629	DN65 StSt	155653	DN65 StSt
155842	57	155629	DN65 StSt	155653	DN65 StSt
155844	57	155629	DN65 StSt	155653	DN65 StSt
155847	57				
155848	57				
155849	57	155629	DN65 StSt	155653	DN65 StSt
155852	57	155629	DN65 StSt	155653	DN65 StSt
155853	57	155629	DN65 StSt	155653	DN65 StSt
155856	57	155629	DN65 StSt	155653	DN65 StSt
155859	58	155630	DN65 StSt	155654	DN65 StSt
155860	58	155630	DN65 StSt	155654	DN65 StSt
155862	58	155630	DN65 StSt	155654	DN65 StSt
155863	58	155630	DN65 StSt	155654	DN65 StSt
155864	58	155630	DN65 StSt	155654	DN65 StSt
155867	58	155630	DN65 StSt	155654	DN65 StSt
155868	58	155630	DN65 StSt	155654	DN65 StSt
155870	58	155630	DN65 StSt	155654	DN65 StSt
155873	58	155630	DN65 StSt	155654	DN65 StSt
155878	58	155631	DN65 StSt	155655	DN65 StSt
155879	58	155631	DN65 StSt	155655	DN65 StSt
155885	58	155631	DN65 StSt	155655	DN65 StSt
155887	58	155631	DN65 StSt	155655	DN65 StSt
155896	58	155632	DN65 StSt	155656	DN65 StSt
155903	58	155632	DN65 StSt	155656	DN65 StSt
155914	58	155633	DN80 StSt	155657	DN80 StSt
155919	58	155633	DN80 StSt	155657	DN80 StSt
155922	58	155633	DN80 StSt	155657	DN80 StSt
155930	58	155634	DN80 StSt	155658	DN80 StSt
155931	58	155634	DN80 StSt	155658	DN80 StSt
155937	58	155634	DN80 StSt	155658	DN80 StSt
155939	58	155634	DN80 StSt	155658	DN80 StSt
155952	58	155635	DN100 StSt	155659	DN100 StSt
155953	58	155635	DN100 StSt	155659	DN100 StSt
155954	58	155635	DN100 StSt	155659	DN100 StSt
155962	58	155635	DN100 StSt	155659	DN100 StSt
155964	57				
155972	57				
155973	57				
155984	58	155637	DN40 PTFE	155661	DN40 PTFE
155985	58	155637	DN40 PTFE	155661	DN40 PTFE
155987	58	155637	DN40 PTFE	155661	DN40 PTFE
156001	57				
156002	57	155638	DN50 PTFE	155662	DN50 PTFE
156004	57	155638	DN50 PTFE	155662	DN50 PTFE

Article no. Complete unit	Diagram no.	Pos. 2 Control cone set		Pos. 3 Control fittings	
		Order no.	Orifice / Material	Order no.	Orifice / Material
156005	57	155638	DN50 PTFE	155662	DN50 PTFE
156009	57				
156010	57				
156012	57	155638	DN50 PTFE	155662	DN50 PTFE
156015	57	155638	DN50 PTFE	155662	DN50 PTFE
156021	58	155639	DN50 PTFE	155663	DN50 PTFE
156022	58	155639	DN50 PTFE	155663	DN50 PTFE
156024	58	155639	DN50 PTFE	155663	DN50 PTFE
156025	58	155639	DN50 PTFE	155663	DN50 PTFE
156027	58	155639	DN50 PTFE	155663	DN50 PTFE
156028	58	155639	DN50 PTFE	155663	DN50 PTFE
156033	58	155639	DN50 PTFE	155663	DN50 PTFE
156038	58	155640	DN50 PTFE	155664	DN50 PTFE
156039	58	155640	DN50 PTFE	155664	DN50 PTFE
156063	57				
156064	57	155641	DN65 PTFE	155665	DN65 PTFE
156066	57	155641	DN65 PTFE	155665	DN65 PTFE
156067	57	155641	DN65 PTFE	155665	DN65 PTFE
156072	57				
156074	57	155641	DN65 PTFE	155665	DN65 PTFE
156077	57	155641	DN65 PTFE	155665	DN65 PTFE
156081	57	155641	DN65 PTFE	155665	DN65 PTFE
156084</					



2/2 way diaphragm control valve, plastic body

Diagram 59

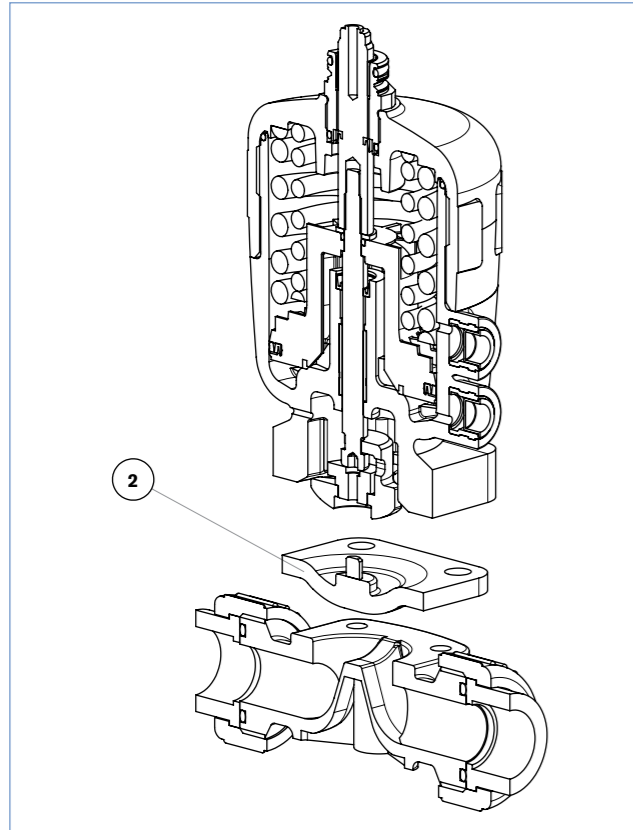
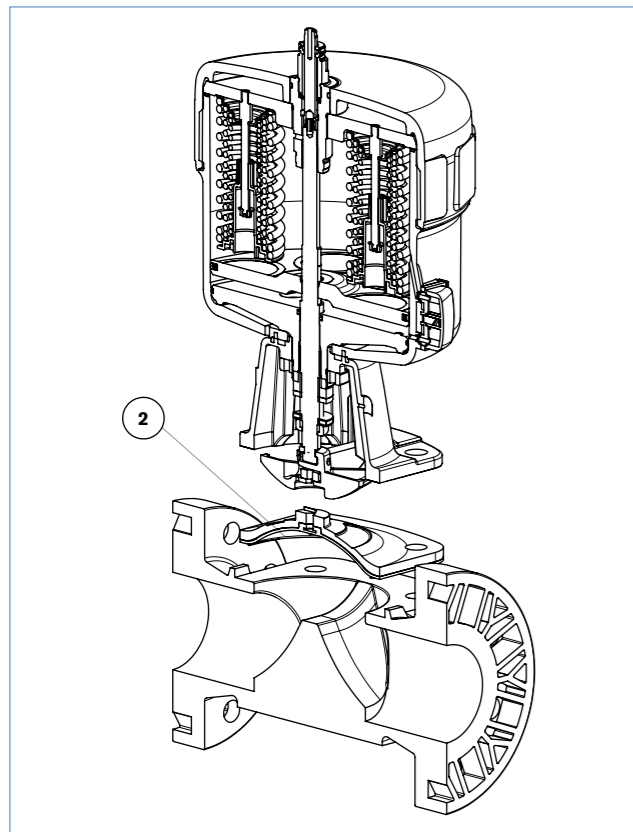


Diagram 60



Ordering Chart

Article no. Complete unit	Diagram no.	Pos. 2 Diaphragm	
		Order no.	Orifice / Material
147486	59	677675	DN15 PTFE/EPDM
147567	59	677675	DN15 PTFE/EPDM
147980	59	677680	DN50 PTFE/EPDM
148228	59	677664	DN15 EPDM
148229	59	677665	DN20 EPDM
148230	59	677667	DN25 EPDM
148231	59	677668	DN32 EPDM
148232	59	677669	DN40 EPDM
148233	59	677670	DN50 EPDM
148234	59	677664	DN15 EPDM
148235	59	677665	DN20 EPDM
148236	59	677667	DN25 EPDM
148237	59	677668	DN32 EPDM
148238	59	677669	DN40 EPDM
148239	59	677670	DN50 EPDM
148240	59	677676	DN20 PTFE/EPDM
148241	59	677677	DN25 PTFE/EPDM
148242	59	677678	DN32 PTFE/EPDM
148243	59	677679	DN40 PTFE/EPDM
148246	59	677677	DN25 PTFE/EPDM
148249	59	677680	DN50 PTFE/EPDM
148250	59	677664	DN15 EPDM
148251	59	677665	DN20 EPDM
148252	59	677667	DN25 EPDM
148253	59	677668	DN32 EPDM
148254	59	677669	DN40 EPDM
148256	59	677664	DN15 EPDM
148259	59	677668	DN32 EPDM
148262	59	677676	DN20 PTFE/EPDM
148263	59	677677	DN25 PTFE/EPDM
148264	59	677678	DN32 PTFE/EPDM
148265	59	677679	DN40 PTFE/EPDM
148266	59	677680	DN50 PTFE/EPDM
148271	59	677679	DN40 PTFE/EPDM
148272	59	677680	DN50 PTFE/EPDM
157521	59	677671	DN65 EPDM
157522	60	677671	DN65 EPDM
157526	60	650082	DN80 EPDM
157527	60	650084	DN100 EPDM
157530	60	677681	DN65 PTFE/EPDM
157534	60	650087	DN80 PTFE
157535	60	650088	DN100 PTFE
158321	59	677671	DN65 EPDM
158322	60	677671	DN65 EPDM
158323	60	650082	DN80 EPDM
158324	60	650084	DN100 EPDM
158325	59	677681	DN65 PTFE/EPDM

Modernization of facilities

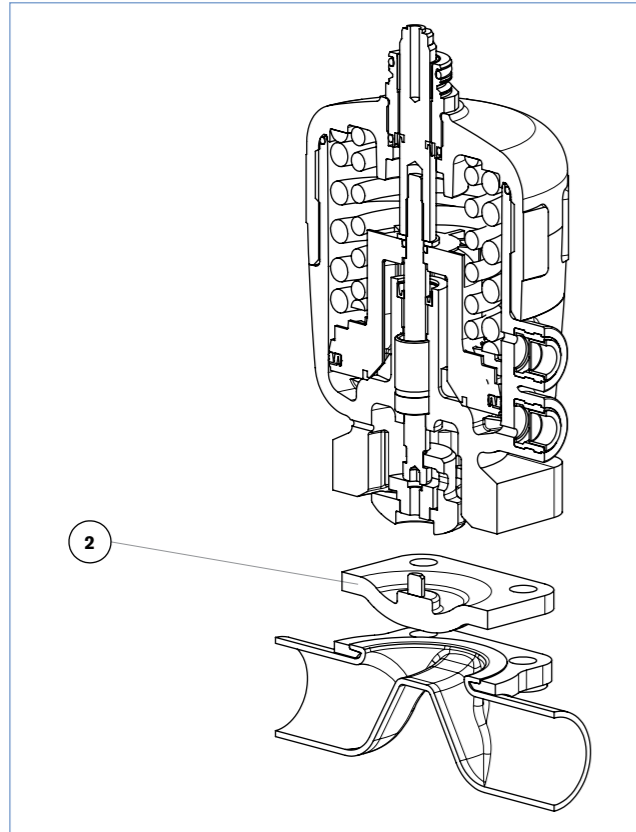
You want to bring your system to the latest state of the art?
 “Full Service Excellence” is the appropriate partner for you in
 the planning and implementation of a system modernization.





2/2 way diaphragm control valve

Diagram 61



Ordering Chart

Article no. Complete unit	Diagram no.	Pos. 2 Diaphragm	
		Order no.	Orifice / Material
147526	61	677670	DN50 EPDM
147708	61	677679	DN40 PTFE/EPDM
148313	61	677664	DN15 EPDM
148314	61	677665	DN20 EPDM
148315	61	677667	DN25 EPDM
148316	61	677668	DN32 EPDM
148317	61	677669	DN40 EPDM
148318	61	677664	DN15 EPDM
148319	61	677665	DN20 EPDM
148320	61	677665	DN20 EPDM
148321	61	677667	DN25 EPDM
148322	61	677668	DN32 EPDM
148323	61	677669	DN40 EPDM
148324	61	677664	DN15 EPDM
148325	61	677665	DN20 EPDM
148326	61	677667	DN25 EPDM
148327	61	677668	DN32 EPDM
148328	61	677669	DN40 EPDM
148329	61	677670	DN50 EPDM
148330	61	677664	DN15 EPDM
148332	61	677665	DN20 EPDM
148333	61	677665	DN20 EPDM
148334	61	677667	DN25 EPDM
148335	61	677668	DN32 EPDM
148336	61	677669	DN40 EPDM
148337	61	677675	DN15 PTFE/EPDM
148338	61	677676	DN20 PTFE/EPDM
148339	61	677677	DN25 PTFE/EPDM
148340	61	677678	DN32 PTFE/EPDM
148341	61	677679	DN40 PTFE/EPDM
148342	61	677680	DN50 PTFE/EPDM
148344	61	677676	DN20 PTFE/EPDM
148345	61	677676	DN20 PTFE/EPDM
148346	61	677677	DN25 PTFE/EPDM
148347	61	677678	DN32 PTFE/EPDM
148348	61	677675	DN15 PTFE/EPDM
148349	61	677676	DN20 PTFE/EPDM
148350	61	677677	DN25 PTFE/EPDM
148352	61	677678	DN32 PTFE/EPDM
148353	61	677679	DN40 PTFE/EPDM
148354	61	677680	DN50 PTFE/EPDM
148355	61	677675	DN15 PTFE/EPDM
148356	61	677676	DN20 PTFE/EPDM
148357	61	677676	DN20 PTFE/EPDM
148358	61	677677	DN25 PTFE/EPDM
148359	61	677678	DN32 PTFE/EPDM
148360	61	677679	DN40 PTFE/EPDM
149274	61	677675	DN15 PTFE/EPDM
153330	61	677677	DN25 PTFE/EPDM
154864	61	677679	DN40 PTFE/EPDM
155184	61	677664	DN15 EPDM
155185	61	677675	DN15 PTFE/EPDM
155186	61	677665	DN20 EPDM
155187	61	677676	DN20 PTFE/EPDM

2/2 way diaphragm control valve



Ordering Chart

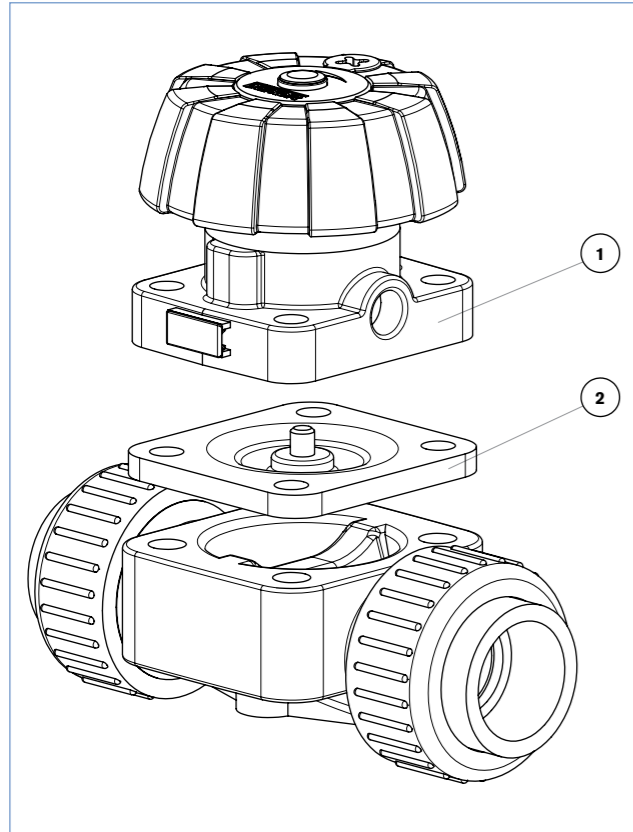
Article no. Complete unit	Diagram no.	Pos. 2 Diaphragm	
		Order no.	Orifice / Material
155188	61	677667	DN25 EPDM
155189	61	677677	DN25 PTFE/EPDM
155190	61	677669	DN40 EPDM
155191	61	677670	DN50 EPDM
155192	61	677680	DN50 PTFE/EPDM
155193	61	677664	DN15 EPDM
155194	61	677675	DN15 PTFE/EPDM
155195	61	677665	DN20 EPDM
155196	61	677676	DN20 PTFE/EPDM
155197	61	677667	DN25 EPDM
155198	61	677677	DN25 PTFE/EPDM
155199	61	677669	DN40 EPDM
155200	61	677679	DN40 PTFE/EPDM
155201	61	677670	DN50 EPDM
155202	61	677680	DN50 PTFE/EPDM
155203	61	677664	DN15 EPDM
155204	61	677675	DN15 PTFE/EPDM
155205	61	677665	DN20 EPDM
155206	61	677676	DN20 PTFE/EPDM
155207	61	677667	DN25 EPDM
155208	61	677677	DN25 PTFE/EPDM
155209	61	677669	DN40 EPDM
155210	61	677679	DN40 PTFE/EPDM
155211	61	677670	DN50 EPDM
155212	61	677680	DN50 PTFE/EPDM
155213	61	677664	DN15 EPDM
155214	61	677675	DN15 PTFE/EPDM
155215	61	677665	DN20 EPDM
155216	61	677676	DN20 PTFE/EPDM
155217	61	677667	DN25 EPDM
155218	61	677677	DN25 PTFE/EPDM
155219	61	677669	DN40 EPDM
155220	61	677679	DN40 PTFE/EPDM
155221	61	677670	DN50 EPDM
155222	61	677680	DN50 PTFE/EPDM
550425	61	677664	DN15 EPDM
550426	61	677675	DN15 PTFE/EPDM
550429	61	677665	DN20 EPDM
550430	61	677676	DN20 PTFE/EPDM
550431	61	677667	DN25 EPDM
550432	61	677677	DN25 PTFE/EPDM
550433	61	677669	DN40 EPDM
550434	61	677679	DN40 PTFE/EPDM
550435	61	677670	DN50 EPDM
550436	61	677680	DN50 PTFE/EPDM
550437	61	677664	DN15 EPDM
550438	61	677675	DN15 PTFE/EPDM
550439	61	677665	DN20 EPDM
550440	61	677676	DN20 PTFE/EPDM
550441	61	677667	DN25 EPDM
550442	61	677677	DN25 PTFE/EPDM
550443	61	677669	DN40 EPDM
550444	61	677679	DN40 PTFE/EPDM
550445	61	677670	DN50 EPDM

Article no. Complete unit	Diagram no.	Pos. 2 Diaphragm	
		Order no.	Orifice / Material
550446	61	677680	DN50 PTFE/EPDM
550447	61	677664	DN15 EPDM
550448	61	677675	DN15 PTFE/EPDM
550451	61	677665	DN20 EPDM
550452	61	677676	DN20 PTFE/EPDM
550453	61	677667	DN25 EPDM
550454	61	677669	DN40 EPDM
550455	61	677679	DN40 PTFE/EPDM
550456	61	677670	DN50 EPDM
550457	61	677680	DN50 PTFE/EPDM
550458	61	677664	DN15 EPDM
550459	61	677675	DN15 PTFE/EPDM
550460	61	677665	DN20 EPDM
550461	61	677676	DN20 PTFE/EPDM
550462	61	677667	DN25 EPDM
550463	61	677677	DN25 PTFE/EPDM
550464	61	677669	DN40 EPDM
550465	61	677679	DN40 PTFE/EPDM
550466	61	677670	DN50 EPDM
550467	61	677680	DN50 PTFE/EPDM



2/2 way diaphragm valve, manual override,
plastic body

Diagram 62



Ordering Chart

Article no. Complete unit	Diagram no.	Pos. 1 Diaphragm valve without body		Pos. 2 Diaphragm, packed	
		Order no.	Orifice	Order no.	Orifice / Material
144758	62	432977	DN15	677664	DN15 EPDM
144759	62	432984	DN20	677665	DN20 EPDM
144760	62	432991	DN25	677667	DN25 EPDM
144761	62	432998	DN32	677668	DN32 EPDM
144762	62	433005	DN40	677669	DN40 EPDM
144763	62	433012	DN50	677670	DN50 EPDM
144764	62	432978	DN15	677675	DN15 PTFE/EPDM
144765	62	432985	DN20	677676	DN20 PTFE/EPDM
144766	62	432992	DN25	677677	DN25 PTFE/EPDM
144767	62	432999	DN32	677678	DN32 PTFE/EPDM
144768	62	433006	DN40	677679	DN40 PTFE/EPDM
144769	62	433013	DN50	677680	DN50 PTFE/EPDM
144770	62	432977	DN15	677664	DN15 EPDM
144771	62	432984	DN20	677665	DN20 EPDM
144772	62	432991	DN25	677667	DN25 EPDM
144773	62	432998	DN32	677668	DN32 EPDM
144774	62	433005	DN40	677669	DN40 EPDM
144775	62	433012	DN50	677670	DN50 EPDM
144776	62	432978	DN15	677675	DN15 PTFE/EPDM
144777	62	432985	DN20	677676	DN20 PTFE/EPDM
144778	62	432992	DN25	677677	DN25 PTFE/EPDM
144779	62	432999	DN32	677678	DN32 PTFE/EPDM
144780	62	433006	DN40	677679	DN40 PTFE/EPDM
144781	62	433013	DN50	677680	DN50 PTFE/EPDM
144782	62	432977	DN15	677664	DN15 EPDM
144783	62	432984	DN20	677665	DN20 EPDM
144784	62	432991	DN25	677667	DN25 EPDM
144785	62	432998	DN32	677668	DN32 EPDM
144786	62	433005	DN40	677669	DN40 EPDM
144787	62	433012	DN50	677670	DN50 EPDM
144788	62	432978	DN15	677675	DN15 PTFE/EPDM
144789	62	432985	DN20	677676	DN20 PTFE/EPDM
144790	62	432992	DN25	677677	DN25 PTFE/EPDM
144791	62	432999	DN32	677678	DN32 PTFE/EPDM
144792	62	433006	DN40	677679	DN40 PTFE/EPDM
144793	62	433013	DN50	677680	DN50 PTFE/EPDM
144794	62	432977	DN15	677664	DN15 EPDM
144795	62	432984	DN20	677665	DN20 EPDM
144796	62	432991	DN25	677667	DN25 EPDM
144797	62	432998	DN32	677668	DN32 EPDM
144798	62	433005	DN40	677669	DN40 EPDM
144799	62	433012	DN50	677670	DN50 EPDM
144800	62	432978	DN15	677675	DN15 PTFE/EPDM
144801	62	432985	DN20	677676	DN20 PTFE/EPDM
144802	62	432992	DN25	677677	DN25 PTFE/EPDM
144803	62	432999	DN32	677678	DN32 PTFE/EPDM
144804	62	433006	DN40	677679	DN40 PTFE/EPDM
144805	62	433013	DN50	677680	DN50 PTFE/EPDM
144806	62	432977	DN15	677664	DN15 EPDM
144807	62	432984	DN20	677665	DN20 EPDM
144808	62	432991	DN25	677667	DN25 EPDM
144809	62	432998	DN32	677668	DN32 EPDM
144810	62	433005	DN40	677669	DN40 EPDM

2/2 way diaphragm valve, manual override,
plastic body



Ordering Chart

Article no. Complete unit	Diagram no.	Pos. 1 Diaphragm valve without body		Pos. 2 Diaphragm, packed	
		Order no.	Orifice	Order no.	Orifice / Material
144811	62	433012	DN50	677670	DN50 EPDM
144812	62	432978	DN15	677675	DN15 PTFE/EPDM
144813	62	432985	DN20	677676	DN20 PTFE/EPDM
144814	62	432992	DN25	677677	DN25 PTFE/EPDM
144815	62	432999	DN32	677678	DN32 PTFE/EPDM
144816	62	433006	DN40	677679	DN40 PTFE/EPDM
144817	62	433013	DN50	677680	DN50 PTFE/EPDM
144818	62	432977	DN15	677664	DN15 EPDM
144819	62	432984	DN20	677665	DN20 EPDM
144820	62	432991	DN25	677667	DN25 EPDM
144821	62	432998	DN32	677668	DN32 EPDM
144822	62	433005	DN40	677669	DN40 EPDM
144823	62	433012	DN50	677670	DN50 EPDM
144824	62	432978	DN15	677675	DN15 PTFE/EPDM
144825	62	432985	DN20	677676	DN20 PTFE/EPDM
144826	62	432992	DN25	677677	DN25 PTFE/EPDM
144827	62	432999	DN32	677678	DN32 PTFE/EPDM
144828	62	433006	DN40	677679	DN40 PTFE/EPDM
144829	62	433013	DN50	677680	DN50 PTFE/EPDM



2/2 way diaphragm valve, manual override, stainless steel body

Diagram 63

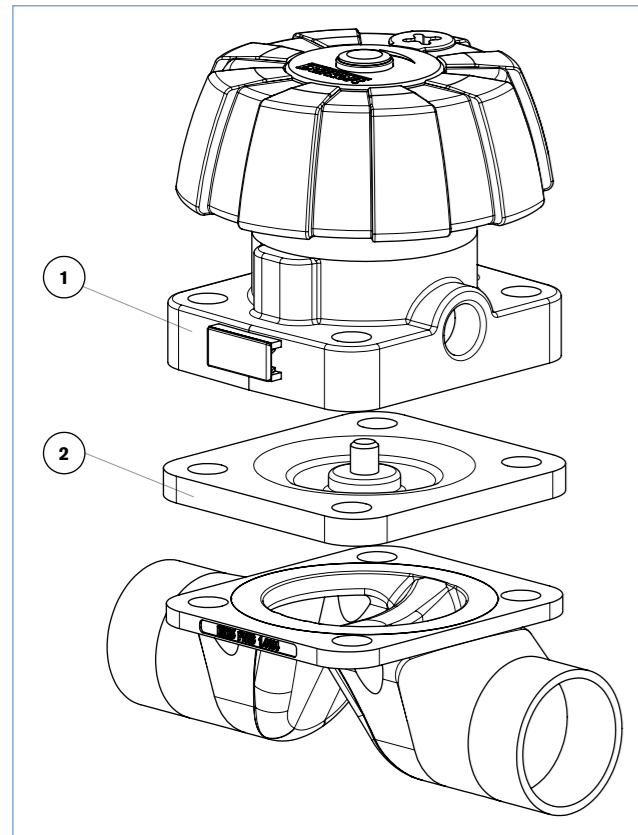
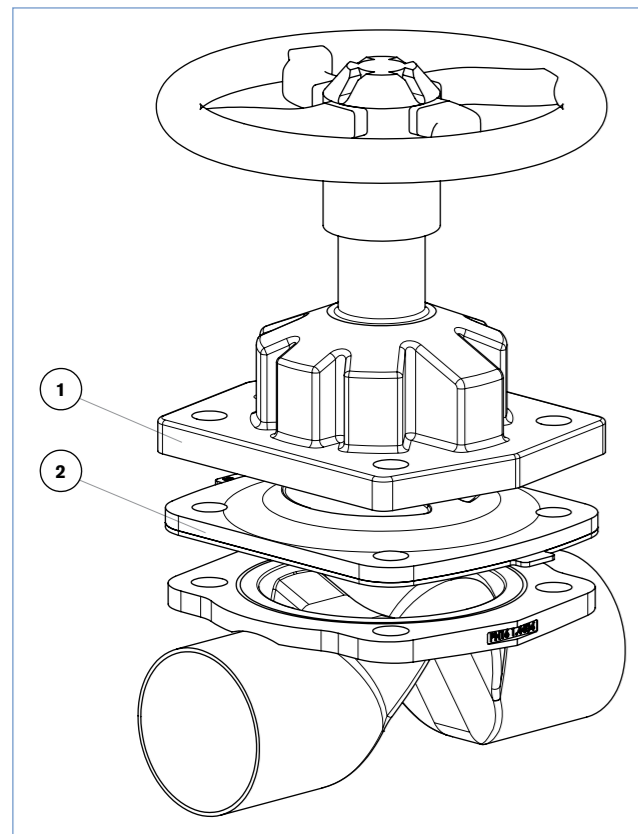


Diagram 64



Ordering Chart

Article no. Complete unit	Diagram no.	Pos. 1 Diaphragm valve without body		Pos. 2 Diaphragm, packed	
		Order no.	Orifice	Order no.	Orifice / Material
218575	63	194809	DN8	677663	DN8 EPDM
218576	63	194809	DN8	677663	DN8 EPDM
218577	63	432977	DN15	677664	DN15 EPDM
218579	63	432984	DN20	677665	DN20 EPDM
218580	63	432991	DN25	677667	DN25 EPDM
218581	63	433005	DN40	677669	DN40 EPDM
218582	63	433005	DN40	677669	DN40 EPDM
218584	63	433012	DN50	677670	DN50 EPDM
218595	63	194809	DN8	677674	DN8 PTFE/EPDM
218596	63	194809	DN8	677674	DN8 PTFE/EPDM
218597	63	432978	DN15	677675	DN15 PTFE/EPDM
218598	63	432985	DN20	677676	DN20 PTFE/EPDM
218599	63	432992	DN25	677677	DN25 PTFE/EPDM
218600	63	433006	DN40	677679	DN40 PTFE/EPDM
218601	63	433006	DN40	677679	DN40 PTFE/EPDM
218602	63	433013	DN50	677680	DN50 PTFE/EPDM
218620	63	194809	DN8	677663	DN8 EPDM
218621	63	432977	DN15	677664	DN15 EPDM
218622	63	432984	DN20	677665	DN20 EPDM
218623	63	432991	DN25	677667	DN25 EPDM
218624	63	433005	DN40	677669	DN40 EPDM
218625	63	433005	DN40	677669	DN40 EPDM
218626	63	433012	DN50	677670	DN50 EPDM
218634	63	194809	DN8	677674	DN8 PTFE/EPDM
218635	63	432978	DN15	677675	DN15 PTFE/EPDM
218636	63	432985	DN20	677676	DN20 PTFE/EPDM
218637	63	432992	DN25	677677	DN25 PTFE/EPDM
218639	63	433006	DN40	677679	DN40 PTFE/EPDM
218640	63	433006	DN40	677679	DN40 PTFE/EPDM
218641	63	433013	DN50	677680	DN50 PTFE/EPDM
218658	63	432991	DN25	677667	DN25 EPDM
218660	63	433005	DN40	677669	DN40 EPDM
218661	63	433012	DN50	677670	DN50 EPDM
218662	63	433012	DN50	677670	DN50 EPDM
218667	63	432992	DN25	677677	DN25 PTFE/EPDM
218668	63	433006	DN40	677679	DN40 PTFE/EPDM
218669	63	433013	DN50	677680	DN50 PTFE/EPDM
218670	63	433013	DN50	677680	DN50 PTFE/EPDM
218680	63	194809	DN8	677663	DN8 EPDM
218682	63	194809	DN8	677663	DN8 EPDM
218683	63	432977	DN15	677664	DN15 EPDM
218684	63	432984	DN20	677665	DN20 EPDM
218689	63	194809	DN8	677674	DN8 PTFE/EPDM
218690	63	194809	DN8	677674	DN8 PTFE/EPDM
218691	63	432978	DN15	677675	DN15 PTFE/EPDM
218692	63	432985	DN20	677676	DN20 PTFE/EPDM
218697	63	194809	DN8	677663	DN8 EPDM
218698	63	194809	DN8	677663	DN8 EPDM
218699	63	432977	DN15	677664	DN15 EPDM
218700	63	432984	DN20	677665	DN20 EPDM
218701	63	432991	DN25	677667	DN25 EPDM
218702	63	433005	DN40	677669	DN40 EPDM
218703	63	433012	DN50	677670	DN50 EPDM
218712	63	194809	DN8	677674	DN8 PTFE/EPDM
218713	63	194809	DN8	677674	DN8 PTFE/EPDM
218715	63	432978	DN15	677675	DN15 PTFE/EPDM
218716	63	432985	DN20	677676	DN20 PTFE/EPDM

Ordering Chart

Article no. Complete unit	Diagram no.	Pos. 1 Diaphragm valve without body		Pos. 2 Diaphragm, packed	
		Order no.	Orifice	Order no.	Orifice / Material
218717	63	432992	DN25	677677	DN25 PTFE/EPDM
218718	63	433006	DN40	677679	DN40 PTFE/EPDM
218719	63	433013	DN50	677680	DN50 PTFE/EPDM
218727	63	433005	DN40	677669	DN40 EPDM
218728	63	433012	DN50	677670	DN50 EPDM
218732	63	432992	DN25	677677	DN25 PTFE/EPDM
218733	63	433006	DN40	677679	DN40 PTFE/EPDM
218734	63	433013	DN50	677680	DN50 PTFE/EPDM
218738	63	432977	DN15	677664	DN15 EPDM
218739	63	432984	DN20	677665	DN20 EPDM
218740	63	432991	DN25	677667	DN25 EPDM
218741	63	433005	DN40	677669	DN40 EPDM
218742	63	433012	DN50	677670	DN50 EPDM
218748	63	432978	DN15	677675	DN15 PTFE/EPDM
218749	63	432985	DN20	677676	DN20 PTFE/EPDM
218750	63	432992	DN25	677677	DN25 PTFE/EPDM
218751	63	433006	DN40	677679	DN40 PTFE/EPDM
218752	63	433013	DN50	677680	DN50 PTFE/EPDM
218758	63	194809	DN8	677663	DN8 EPDM
218759	63	194809	DN8	677663	DN8 EPDM
218760	63	432977	DN15	677664	DN15 EPDM
218761	63	432984	DN20	677665	DN20 EPDM
218762	63	432991	DN25	677667	DN25 EPDM
218763	63	433005	DN40	677669	DN40 EPDM
218764	63	433012	DN50	677670	DN50 EPDM
218765	63	433012	DN50	677670	DN50 EPDM
218766	64	247379	DN80	677672	DN80 EPDM
218775	63	194809	DN8	677674	DN8 PTFE/EPDM
218776	63	194809	DN8	677674	DN8 PTFE/EPDM
218777	63	432978	DN15	677675	DN15 PTFE/EPDM
218778	63	432985	DN20	677676	DN20 PTFE/EPDM
218779	63	432992	DN25	677677	DN25 PTFE/EPDM
218780	63	433006	DN40	677679	DN40 PTFE/EPDM
218781	63	433013	DN50	677680	DN50 PTFE/EPDM
218782	63	433013	DN50	677680	DN50 PTFE/EPDM
218783	64	247380	DN80	677682	DN80 PTFE/EPDM
218792	63	194809	DN8	677663	DN8 EPDM
218793	63	194809	DN8	677663	DN8 EPDM
218794	63	432977	DN15	677664	DN15 EPDM
218795	63	432984	DN20	677665	DN20 EPDM
218796	63	432991	DN25	677667	DN25 EPDM
218797	63	433005	DN40	677669	DN40 EPDM
218798	63	433012	DN50	677670	DN50 EPDM
218806	63	194809	DN8	677674	DN8 PTFE/EPDM
218807	63	194809	DN8	677674	DN8 PTFE/EPDM
218808	63	432978	DN15	677675	DN15 PTFE/EPDM
218809	63	432985	DN20	677676	DN20 PTFE/EPDM
218810	63	432992	DN25	677677	DN25 PTFE/EPDM
218811	63	433006	DN40	677679	DN40 PTFE/EPDM
218812	63	433013	DN50	677680	DN50 PTFE/EPDM
218857	63	432991	DN25	677667	DN25 EPDM
435091	63	432977	DN15	677664	DN15 EPDM
435092	63	432984	DN20	677665	DN20 EPDM
435093	63	432991	DN25	677667	DN25 EPDM
435094	63	432998	DN32	677668	DN32 EPDM
435095	63	433005	DN40	677669	DN40 EPDM
435096	63	433012	DN50	677670	DN50 EPDM

2/2 way diaphragm valve, manual override, stainless steel body



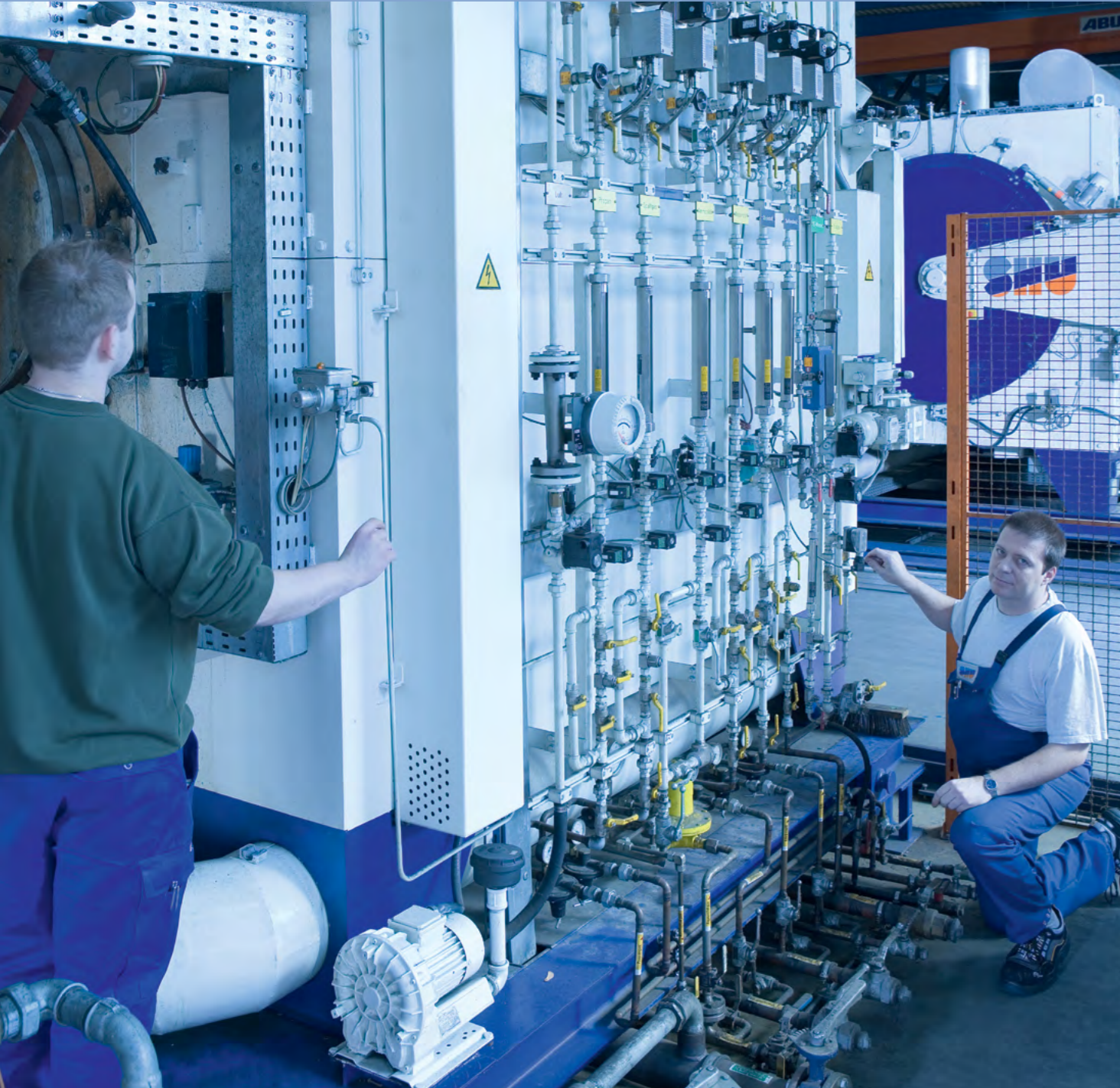
Ordering Chart

Article no. Complete unit	Diagram no.	Pos. 1 Diaphragm valve without body		Pos. 2 Diaphragm, packed	
		Order no.	Orifice	Order no.	Orifice / Material
445539	63	432978	DN15	677675	DN15 PTFE/EPDM
445544	63	432985	DN20	677676	DN20 PTFE/EPDM
445549	63	432992	DN25	677677	DN25 PTFE/EPDM
445554	63	433006	DN40	677679	DN40 PTFE/EPDM
445559	63	433013	DN50	677680	DN50 PTFE/EPDM
445564	63	194809	DN8	677663	DN8 EPDM
445569	63	194809	DN8	677663	DN8 EPDM
445574	63	432977	DN15	677664	DN15 EPDM
445579	63	432984	DN20	677665	DN20 EPDM
445584	63	432991	DN25	677667	DN25 EPDM
445589	63	433005	DN40	677669	DN40 EPDM
445594	63	433012	DN50	677670	DN50 EPDM
445599	63	194809	DN8	677674	DN8 PTFE/EPDM
445604	63	194809	DN8	677674	DN8 PTFE/EPDM
445609	63	432978	DN15	677675	DN15 PTFE/EPDM
445614	63	432985	DN20	677676	DN20 PTFE/EPDM
445619	63	432992	DN25	677677	DN25 PTFE/EPDM
445624	63	433006	DN40	677679	DN40 PTFE/EPDM
445629	63	433013	DN50	677680	DN50 PTFE/EPDM
445634	63	194809	DN8	677663	DN8 EPDM
445639	63	432977	DN15	677664	DN15 EPDM
445644	63	432984	DN20	677665	DN20 EPDM
445649	63	432991	DN25	677667	DN25 EPDM
445654	63	433005	DN40	677669	DN40 EPDM
445659	63	433012	DN50	677670	DN50 EPDM
445664	63	194809	DN8	677674	DN8 PTFE/EPDM
445669	63	432978	DN15	677675	DN15 PTFE/EPDM
445674	63	432985	DN20	677676	DN20 PTFE/EPDM
445679	63	432992	DN25	677677	DN25 PTFE/EPDM
445684	63	433006	DN40	677679	DN40 PTFE/EPDM
445689	63	433013	DN50	677680	DN50 PTFE/EPDM
445694	63	433005	DN40	677669	DN40 EPDM
445699	63	433005	DN40	677669	DN40 EPDM
445704	63	433012	DN50	677670	DN50 EPDM
445709	63	432992	DN25	677677	DN25 PTFE/EPDM
445714	63	433006	DN40	677679	DN40 PTFE/EPDM
445719	63	433013	DN50	677680	DN50 PTFE/EPDM
445724	63	432991	DN25	677667	DN25 EPDM
445729	63	433005	DN40	677669	DN40 EPDM
445734	63	433012	DN50	677670	DN50 EPDM
445739	63	432992	DN25	677677	DN25 PTFE/EPDM
445744	63	433006	DN40	677679	DN40 PTFE/EPDM
445749	63	433013	DN50	677680	DN50 PTFE/EPDM
445754	63	194809	DN8	677663	DN8 EPDM
445759	63	194809	DN8	677663	DN8 EPDM
445764	63	432977	DN15	677664	DN15 EPDM
445769	63	432984	DN20	677665	DN20 EPDM
445774	63	432991	DN25	677667	DN25 EPDM
445779	63	433005	DN40	677669	DN40 EPDM
445784	63	433012	DN50	677670	DN50 EPDM
445789	63	194809	DN8	677674	DN8 PTFE/EPDM
445794	63	194809	DN8	677674	DN8 PTFE/EPDM
445799	63	432978	DN15	677675	DN15 PTFE/EPDM
445804	63	432985	DN20	677676	DN20 PTFE/EPDM
445809	63	432992	DN25	677677	DN25 PTFE/EPDM
445814	63	433006	DN40	677679	DN40 PTFE/EPDM
445819	63	433013	DN50	677680	DN50 PTFE/EPDM

Your system is running ...

...and without warning, it suddenly comes to a stand still!

This causes stress, time, and money. A chain is only as strong as its weakest link. However, just imagine if your process chain had no weaknesses, because your system was regularly maintained all year around by a partner who is one step ahead. Vulnerabilities would be identified and corrected early, before they caused unplanned downtime and great economic damage.

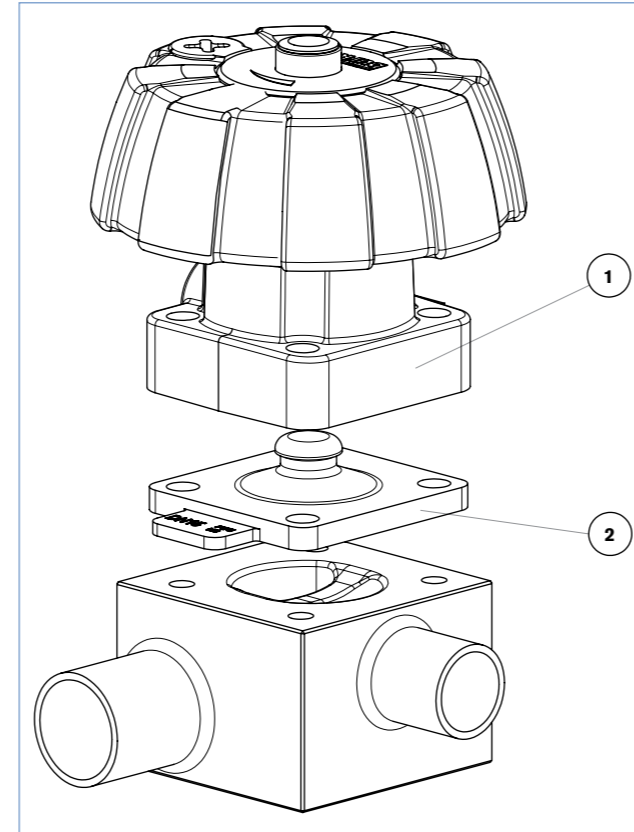


3234



T-valve, manual override, stainless steel block

Diagram 65



Ordering Chart

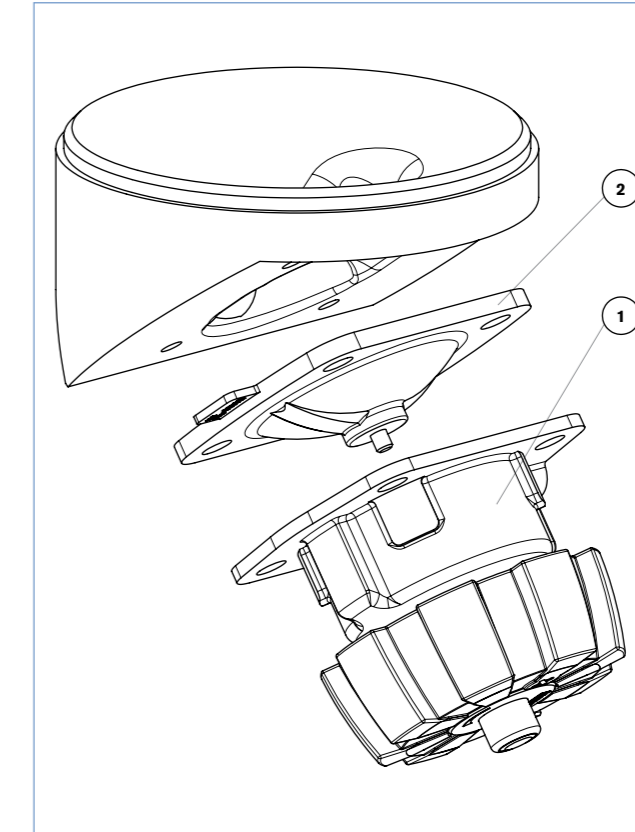
Article no. Complete unit	Diagram no.	Pos. 1 Diaphragm valve without body		Pos. 2 Diaphragm, packed	
		Order no.	Orifice	Order no.	Material
181504	65	441264	DN8	677663	EPDM
181604	65	441264	DN8	677674	PTFE/EPDM
183885	65	441264	DN8	677674	PTFE/EPDM
185856	65	441264	DN8	677663	EPDM
185857	65	441264	DN8	677663	EPDM
189769	65	441264	DN8	677674	PTFE/EPDM
189770	65	441264	DN8	677674	PTFE/EPDM
189771	65	441264	DN8	677674	PTFE/EPDM
189772	65	441264	DN8	677674	PTFE/EPDM
189773	65	441264	DN8	677674	PTFE/EPDM
189774	65	441264	DN8	677674	PTFE/EPDM
189775	65	441264	DN8	677674	PTFE/EPDM
189776	65	441264	DN8	677674	PTFE/EPDM
203344	65	441264	DN8	677674	PTFE/EPDM
203351	65	441264	DN8	677674	PTFE/EPDM
203352	65	441264	DN8	677674	PTFE/EPDM
204086	65	441264	DN8	677663	EPDM
204845	65	441264	DN8	677674	PTFE/EPDM
204846	65	441264	DN8	677674	PTFE/EPDM
204847	65	441264	DN8	677674	PTFE/EPDM
204848	65	441264	DN8	677674	PTFE/EPDM
204850	65	441264	DN8	677674	PTFE/EPDM
204851	65	441264	DN8	677674	PTFE/EPDM
204852	65	441264	DN8	677674	PTFE/EPDM
206532	65	441264	DN8	677674	PTFE/EPDM
207467	65	441264	DN8	677663	EPDM
208519	65	441264	DN8	677674	PTFE/EPDM
208520	65	441264	DN8	677674	PTFE/EPDM
208524	65	441264	DN8	677674	PTFE/EPDM
210232	65	441264	DN8	677663	EPDM
211737	65	441264	DN8	677674	PTFE/EPDM
216071	65	441264	DN8	679063	Advanced PTFE/EPDM
219603	65	441264	DN8	677663	EPDM
220179	65	441264	DN8	677663	EPDM
222754	65	441264	DN8	677674	PTFE/EPDM
223114	65	441264	DN8	677663	EPDM
228453	65	441264	DN8	677663	EPDM
229315	65	441264	DN8	677694	Advanced PTFE/EPDM
234215	65	441264	DN8	677674	PTFE/EPDM
551961	65	441264	DN8	677663	EPDM
555549	65	441264	DN8	677663	EPDM

3235

Tank bottom valve, manual override, stainless steel body



Diagram 66



Ordering Chart

Article no. Complete unit	Diagram no.	Pos. 1 Diaphragm valve without body		Pos. 2 Diaphragm, packed	
		Order no.	Orifice	Order no.	Orifice / Material
174908	66	432978	DN15	669879	DN15 Advanced PTFE/EPDM
174909	66	432984	DN20	677665	DN20 EPDM
174910	66	432991	DN25	677667	DN25 EPDM
175608	66	432992	DN25	677677	DN25 PTFE/EPDM
176191	66	432984	DN15	677664	DN15 EPDM
179528	66	441269	DN50	677670	DN50 EPDM
180529	66	433013	DN50	677680	DN50 PTFE/EPDM
181438	66	433005	DN40	677669	DN40 EPDM
182052	66	432984	DN15	677664	DN15 EPDM
182518	66	432992	DN25	677677	DN25 PTFE/EPDM
183534	66	432978	DN15	677675	DN15 PTFE/EPDM
183883	66	432978	DN15	677675	DN15 PTFE/EPDM
185741	66	185971	DN40	677679	DN40 PTFE/EPDM
187549	66	441269	DN50	677670	DN50 EPDM
187696	66	432992	DN25	677677	DN25 PTFE/EPDM
187697	66	433006	DN40	677679	DN40 PTFE/EPDM
187698	66	433013	DN50	677680	DN50 PTFE/EPDM
187956	66	441268	DN40	677669	DN40 EPDM
189240	66	433005	DN40	677669	DN40 EPDM
189551	66	433006	DN40	677679	DN40 PTFE/EPDM
202646	66	433006	DN40	677698	DN40 Advanced PTFE/EPDM
202670	66	432991	DN25	677667	DN25 EPDM
202777	66	432984	DN15	677664	DN15 EPDM
202800	66	432991	DN25	677667	DN25 EPDM

Article no. Complete unit	Diagram no.	Pos. 1 Diaphragm valve without body		Pos. 2 Diaphragm, packed	
		Order no.	Orifice	Order no.	Orifice / Material
203319	66	441276	DN40	677679	DN40 PTFE/EPDM
205985	66	433005	DN40	677669	DN40 EPDM
208958	66	441277	DN50	677680	DN50 PTFE/EPDM
208959	66			650087	DN80 PTFE
210463	66	432984	DN15	677664	DN15 EPDM
211408	66			650087	DN80 PTFE
212843	66	432984	DN20	677665	DN20 EPDM
213897	66	432978	DN15	677695	DN15 Advanced PTFE/EPDM
213934	66	441264	DN8	677694	DN8 Advanced PTFE/EPDM
215994	66	441264	DN8	677674	DN8 PTFE/EPDM
217951	66	432992	DN25	669893	DN25 Advanced PTFE/EPDM
218393	66	441271	DN25	677677	DN25 PTFE/EPDM
219072	66	432991	DN25	677667	DN25 EPDM
219073	66	433005	DN40	677669	DN40 EPDM
220967	66	432992	DN25	677677	DN25 PTFE/EPDM
220968	66	432978	DN15	677675	DN15 PTFE/EPDM
220971	66	433006	DN40	677679	DN40 PTFE/EPDM
220972	66	433013	DN50	677680	DN50 PTFE/EPDM
221365	66	432984	DN20	677665	DN20 EPDM
222613	66	432978	DN15	677675	DN15 PTFE/EPDM
222615	66	432992	DN25	677677	DN25 PTFE/EPDM
222616	66	433006	DN40	677679	DN40 PTFE/EPDM
222617	66	433013	DN50	677680	DN50 PTFE/EPDM
223262	66	432984	DN15	677664	DN15 EPDM
223263	66	432984	DN20	677665	DN20 EPDM
223264	66	432991	DN25	677667	DN25 EPDM
223265	66	433005	DN40	677669	DN40 EPDM
223266	66	433012	DN50	677670	DN50 EPDM
223267	66	432984	DN15	677664	DN15 EPDM
223268	66	432984	DN20	677665	DN20 EPDM
223269	66	432991	DN25	677667	DN25 EPDM
223270	66	433005	DN40	677669	DN40 EPDM
223271	66	433012	DN50	677670	DN50 EPDM
224978	66	433013	DN50	677680	DN50 PTFE/EPDM
226996	66	433005	DN40	677669	DN40 EPDM
228960	66	432984	DN20	677696	DN20 Advanced PTFE/EPDM
228961	66	441264	DN8	677694	DN8 Advanced PTFE/EPDM
230561	66	432992	DN25	677677	DN25 PTFE/EPDM
233022	66	432984	DN15	677664	DN15 EPDM
233203	66	441264	DN8	677663	DN8 EPDM
553463	66	433013	DN50	677680	DN50 PTFE/EPDM
553513	66	433005	DN40	677669	DN40 EPDM
554534	66	432978	DN15	677675	DN15 PTFE/EPDM
554747	66	432991	DN25	677667	DN25 EPDM
555768	66	432992	DN25	677677	DN25 PTFE/EPDM
555902	66	432992	DN25	677677	DN25 PTFE/EPDM
557581	66	441276	DN40	677679	DN40 PTFE/EPDM



2/2 way solenoid valve for neutral mediums

Diagram 67

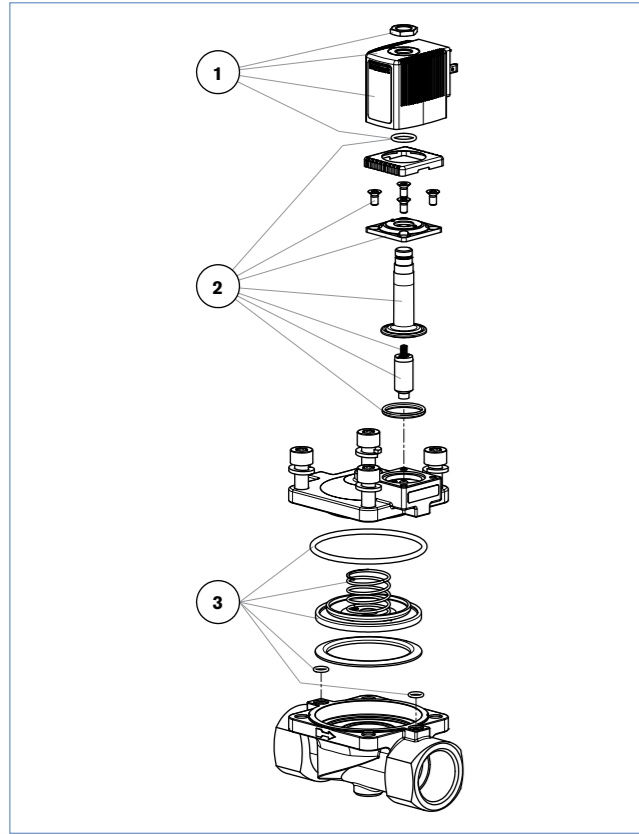


Diagram 69

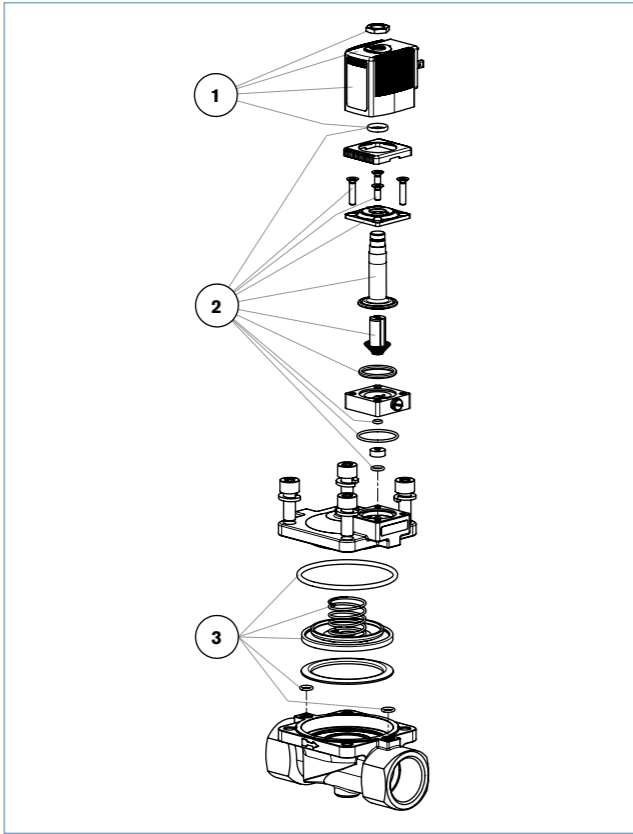
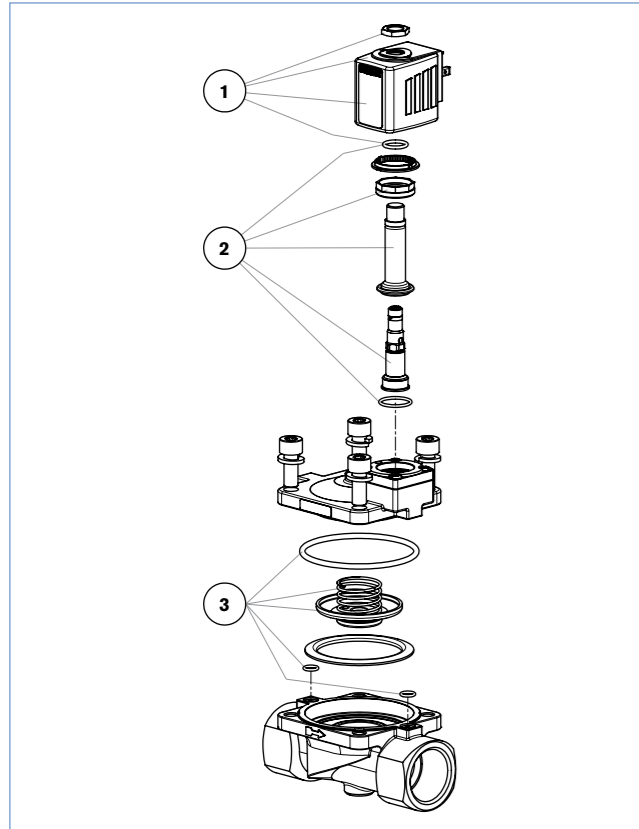


Diagram 68



Ordering Chart

Article no. Complete unit	Diagram no.	Pos. 1 Spool set		Pos. 2 Plug set		Pos. 3 Consumable parts	
		Order no.	V/Hz / Power	Order no.	Material / Specific feature	Order no.	Orifice / Material
134317	67	126434	24/DC 8 W	645561	NBR	624012	DN13 NBR
134318	67	645556	24/56 8 W	645561	NBR	624012	DN13 NBR
134319	67	645557	110/56 8 W	645561	NBR	624012	DN13 NBR
134320	67	645558	230/56 8 W	645561	NBR	624012	DN13 NBR
134321	67	126434	24/DC 8 W	645561	NBR	624015	DN20 NBR
134322	67	645556	24/56 8 W	645561	NBR	624015	DN20 NBR
134323	67	645557	110/56 8 W	645561	NBR	624015	DN20 NBR
134324	67	645558	230/56 8 W	645561	NBR	624015	DN20 NBR
134325	67	126434	24/DC 8 W	645561	NBR	624018	DN25 NBR
134326	67	645556	24/56 8 W	645561	NBR	624018	DN25 NBR
134327	67	645557	110/56 8 W	645561	NBR	624018	DN25 NBR
134328	67	645558	230/56 8 W	645561	NBR	624018	DN25 NBR
134329	67	126434	24/DC 8 W	645561	NBR	624021	DN32 + 40 NBR
134330	67	645556	24/56 8 W	645561	NBR	624021	DN32 + 40 NBR
134331	67	645557	110/56 8 W	645561	NBR	624021	DN32 + 40 NBR
134332	67	645558	230/56 8 W	645561	NBR	624021	DN32 + 40 NBR
134333	67	126434	24/DC 8 W	645561	NBR	624021	DN32 + 40 NBR
134334	67	645556	24/56 8 W	645561	NBR	624021	DN32 + 40 NBR
134335	67	645557	110/56 8 W	645561	NBR	624021	DN32 + 40 NBR
134336	67	645558	230/56 8 W	645561	NBR	624021	DN32 + 40 NBR
134337	67	126434	24/DC 8 W	645561	NBR	624024	DN50 + 65 NBR
134338	67	645556	24/56 8 W	645561	NBR	624024	DN50 + 65 NBR
134339	67	645557	110/56 8 W	645561	NBR	624024	DN50 + 65 NBR
134340	67	645558	230/56 8 W	645561	NBR	624024	DN50 + 65 NBR
134341	67	126434	24/DC 8 W	645561	NBR	624024	DN50 + 65 NBR
134342	67	645556	24/56 8 W	645561	NBR	624024	DN50 + 65 NBR
134343	67	645557	110/56 8 W	645561	NBR	624024	DN50 + 65 NBR
134344	67	645558	230/56 8 W	645561	NBR	624024	DN50 + 65 NBR
134345	67	648743	24/DC 8 W	645562	FKM	624013	DN13 FPM
134346	67	646837	24/56 8 W	645562	FKM	624013	DN13 FPM
134347	67	231300	110/50 8 W	645562	FKM	624013	DN13 FPM
134348	67	647360	230/56 8 W	645562	FKM	624013	DN13 FPM
134349	67	648743	24/DC 8 W	645562	FKM	624016	DN20 FPM
134350	67	646837	24/56 8 W	645562	FKM	624016	DN20 FPM
134351	67	231300	110/50 8 W	645562	FKM	624016	DN20 FPM
134352	67	647360	230/56 8 W	645562	FKM	624016	DN20 FPM
134353	67	648743	24/DC 8 W	645562	FKM	624019	DN25 FPM
134354	67	646837	24/56 8 W	645562	FKM	624019	DN25 FPM
134355	67	231300	110/50 8 W	645562	FKM	624019	DN25 FPM
134356	67	647360	230/56 8 W	645562	FKM	624019	DN25 FPM
134357	67	648743	24/DC 8 W	645562	FKM	624022	DN32 + 40 FPM
134358	67	646837	24/56 8 W	645562	FKM	624022	DN32 + 40 FPM
134359	67	231300	110/50 8 W	645562	FKM	624022	DN32 + 40 FPM
134360	67	647360	230/56 8 W	645562	FKM	624022	DN32 + 40 FPM
134361	67	648743	24/DC 8 W	645562	FKM	624022	DN32 + 40 FPM
134362	67	646837	24/56 8 W	645562	FKM	624022	DN32 + 40 FPM
134363	67	231300	110/50 8 W	645562	FKM	624022	DN32 + 40 FPM
134364	67	647360	230/56 8 W	645562	FKM	624022	DN32 + 40 FPM
134365	67	648743	24/DC 8 W	645562	FKM	624025	DN50 + 65 FPM
134366	67	646837	24/56 8 W	645562	FKM	624025	DN50 + 65 FPM
134367	67	231300	110/50 8 W	645562	FKM	624025	DN50 + 65 FPM
134368	67	647360	230/56 8 W	645562	FKM	624025	DN50 + 65 FPM
134369	67	648743	24/DC 8 W	645562	FKM	624025	DN50 + 65 FPM
134370	67	646837	24/56 8 W	645562	FKM	624025	DN50 + 65 FPM
134371	67	231300	110/50 8 W	645562	FKM	624025	DN50 + 65 FPM
134372	67	647360	230/56 8 W	645562	FKM	624025	DN50 + 65 FPM
134373	67	648743	24/DC 8 W	645563	EPDM	624014	DN13 EPDM
134374	67	646837	24/56 8 W	645563	EPDM	624014	DN13 EPDM
134375	67	231300	110/50 8 W	645563	EPDM	624014	DN13 EPDM
134376	67	647360	230/56 8 W	645563	EPDM	624014	DN13 EPDM
134377	67	648743	24/DC 8 W	645563	EPDM	624017	DN20 EPDM

2/2 way solenoid valve for neutral mediums



Ordering Chart

Article no. Complete unit	Diagram no.	Pos. 1 Spool set		Pos. 2 Plug set		Pos. 3 Consumable parts	
		Order no.	V/Hz / Power	Order no.	Material / Specific feature	Order no.	Orifice / Material
134378	67	646837	24/56 8 W	645563	EPDM	624017	DN20 EPDM
134379	67	231300	110/50 8 W	645563	EPDM	624017	DN20 EPDM
134380	67	647360	230/56 8 W	645563	EPDM	624017	DN20 EPDM
134381	67	648743	24/DC 8 W	645563	EPDM	624020	DN25 EPDM
134382	67	646837	24/56 8 W	645563	EPDM	624020	DN25 EPDM
134383	67	231300	110/50 8 W	645563	EPDM	624020	DN25 EPDM
134384	67	647360	230/56 8 W	645563	EPDM	624020	DN25 EPDM
134385	67	648743	24/DC 8 W	645563	EPDM	624023	DN32 + 40 EPDM
134386	67	646837	24/56 8 W	645563	EPDM	624023	DN32 + 40 EPDM
134387	67	231300	110/50 8 W	645563	EPDM	624023	DN32 + 40 EPDM
134388	67	647360	230/56 8 W	645563	EPDM	624023	DN32 + 40 EPDM
134389	67	648743	24/DC 8 W	645563	EPDM	624023	DN32 + 40 EPDM
134390	67	646837	24/56 8 W	645563	EPDM	624023	DN32 + 40 EPDM
134391	67	231300	110/50 8 W	645563	EPDM	624023	DN32 + 40 EPDM
134392	67	647360	230/56 8 W	645563	EPDM	624023	DN32 + 40 EPDM
134393	67	648743	24/DC 8 W	645563	EPDM	624026	DN50 + 65 EPDM
134394	67	646837	24/56 8 W	645563	EPDM	624026	DN50 + 65 EPDM
134395	67	231300	110/50 8 W	645563	EPDM	624026	DN50 + 65 EPDM
134396	67	647360	230/56 8 W	645563	EPDM	624026	DN50 + 65 EPDM
134397	67	648743	24/DC 8 W	645563	EPDM	624026	DN50 + 65 EPDM
134398	67	646837	24/56 8 W	645563	EPDM	624026	DN50 + 65 EPDM
134400	67	647360	230/56 8 W	645563	EPDM	624026	DN50 + 65 EPDM
134401	67	126434	24/DC 8 W	645561	NBR	624018	DN25 NBR
134402	67	645556	24/56 8 W	645561	NBR	624018	DN25 NBR
134403	67	645557	110/56 8 W	645561	NBR	624018	DN25 NBR
134404	67	645558	230/56 8 W	645561	NBR	624018	DN25 NBR
134405	67	126434	24/DC 8 W	645561	NBR	624021	DN32 + 40 NBR
134406	67	645556	24/56 8 W	645561	NBR	624021	DN32 + 40 NBR
134407	67	645557	110/56 8 W	645561	NBR	624021	DN32 + 40 NBR
134408	67	645558	230/56 8 W	645561	NBR	624021	DN32 + 40 NBR
134409	67	126434	24/DC 8 W	645561	NBR	624021	DN32 + 40 NBR
134410	67	645556	24/56 8 W	645561	NBR	624021	DN32 + 40 NBR
134412	67	645558	230/56 8 W	645561	NBR	624021	DN32 + 40 NBR
134413	67	126434	24/DC 8 W	645561	NBR	624024	DN50 + 65 NBR
134414	67	645556	24/56 8 W	645561	NBR	624024	DN50 + 65 NBR
134416	67	645558	230/56 8 W	645561	NBR	624024	DN50 + 65 NBR
138314	69	645558	230/56 8 W	138318	NBR with manual override	624012	DN13 NBR
138801	69	645558	230/56 8 W	138318	NBR with manual override	624018	DN25 NBR
139307	69	126434	24/DC 8 W	138318	NBR with manual override	624012	DN13 NBR
139308	69	645556	24/56 8 W	138318	NBR with manual override	624012	DN13 NBR
139309	69	126434	24/DC 8 W	138318	NBR with manual override	624015	DN20 NBR
139310	69	645556	24/56 8 W	138318	NBR with manual override	624015	DN20 NBR
139311	69	645558	230/56 8 W	138318	NBR with manual override	624015	DN20 NBR
139312	69	126434	24/DC 8 W	138318	NBR with manual override	624018	DN25 NBR
139313	69	645556	24/56 8 W	138318	NBR with manual override	624018	DN25 NBR
139314	69	126434	24/DC 8 W	138318	NBR with manual override	624021	DN32 + 40 NBR
139315	69	645556	24/56 8 W	138318	NBR with manual override	624021	DN32 + 40 NBR
139316	69	645558	230/56 8 W	138318	NBR with manual override	624021	DN32 + 40 NBR
139317	69	126434	24/DC 8 W	138318	NBR with manual override	624021	DN32 + 40 NBR
139318	69	645556	24/56 8 W	138318	NBR with manual override	624021	DN32 + 40 NBR
139319	69	645558	230/56 8 W	138318	NBR with manual override	624021	DN32 + 40 NBR
139320	69	126434	24/DC 8 W	138318	NBR with manual override	624024	DN50 + 65 NBR
139321	69	645556	24/56 8 W	138318	NBR with manual override	624024	DN50 + 65 NBR
139322	69	645558	230/56 8 W	138318	NBR with manual override	624024	DN50 + 65 NBR
139323	69	126434	24/DC 8 W	138318	NBR with manual override	624024	DN50 + 65 NBR
139324	69	645556	24/56 8 W	138318	NBR with manual override	624024	DN50 + 65 NBR
139325	69	645558	230/56 8 W	138318	NBR with manual override	624024	DN50 + 65 NBR
178872	68	189253	24/50 7 W	179419	NBR Circuit function B	624012	DN13 NBR
178873	68	126434	24/DC 8 W	179419	NBR Circuit function B	624012	DN13 NBR
178874	68	189256	230/50 7 W	179419	NBR Circuit function B	624012	DN13 NBR
178875	68	189253	24/50 7 W	179419	NBR Circuit function B	624015	DN20 NBR



2/2 way solenoid valve for neutral mediums

Ordering Chart

Article no. Complete unit	Diagram no.	Pos. 1 Spool set		Pos. 2 Plug set		Pos. 3 Consumable parts	
		Order no.	V/Hz / Power	Order no.	Material / Specific feature	Order no.	Orifice / Material
178876	68	126434	24/DC 8 W	179419	NBR Circuit function B	624015	DN20 NBR
178877	68	189256	230/50 7 W	179419	NBR Circuit function B	624015	DN20 NBR
178878	68	189253	24/50 7 W	179419	NBR Circuit function B	624018	DN25 NBR
178879	68	126434	24/DC 8 W	179419	NBR Circuit function B	624018	DN25 NBR
178881	68	189256	230/50 7 W	179419	NBR Circuit function B	624018	DN25 NBR
178882	68	189253	24/50 7 W	179419	NBR Circuit function B	624021	DN32+40 NBR
178883	68	126434	24/DC 8 W	179419	NBR Circuit function B	624021	DN32+40 NBR
178884	68	189256	230/50 7 W	179419	NBR Circuit function B	624021	DN32+40 NBR
178885	68	189253	24/50 7 W	179419	NBR Circuit function B	624021	DN32+40 NBR
178886	68	126434	24/DC 8 W	179419	NBR Circuit function B	624021	DN32+40 NBR
178887	68	189256	230/50 7 W	179419	NBR Circuit function B	624021	DN32+40 NBR
178888	68	189253	24/50 7 W	179419	NBR Circuit function B	624024	DN50+65 NBR
178889	68	126434	24/DC 8 W	179419	NBR Circuit function B	624024	DN50+65 NBR
178891	68	189256	230/50 7 W	179419	NBR Circuit function B	624024	DN50+65 NBR

Industrial Full Service

Full Service Excellence is the comprehensive service program from Bürkert.

Industrial Full Service is tailor-made for your individual system and your specific requirements.

Have we aroused your interest?

Then do not hesitate to contact us.





2/2 way solenoid valve with servo diaphragm



2/2 way solenoid valve with servo diaphragm

Ordering Chart

Article no. Complete unit	Diagram no.	Pos. 1 Pilot control, Type 0331		Pos. 2 Consumable parts	
		Order no.	V/Hz	Order no.	Orifice / Material
142062	70	138109	024/DC	624040	DN25 NBR Br
142064	70	138109	024/DC	624046	DN32+40 NBR Br
144956	70	138101	230/50	624039	DN20 EPDM StSt
145609	70	206211	024/DC	624031	DN13 NBR Br
145709	70	138106	024/DC	624039	DN20 EPDM StSt
154009	70	138109	024/DC	624052	DN50+65 NBR Br
157711	70	215263	024/DC	158841	DN25 EPDM StSt
162697	70	211268	024/DC	624031	DN13 NBR Br
171613	70	171313	024/DC	158841	DN25 EPDM StSt
172684	70	171313	024/DC	158840	DN20 EPDM StSt
185322	70	184906	230/50	624054	DN50+65 EPDM Br
186888	70	182288	230/50	624032	DN13 FPM Br
187422	70	183128	230/50	624031	DN13 NBR Br
202683	70	162754	024/DC	624040	DN25 NBR Br
204394	70	138100	024/DC	624033	DN13 EPDM Br
457870	70	138109	024/DC	624031	DN13 NBR Br
457872	70	647204	120/60	624031	DN13 NBR Br
457874	70	138109	024/DC	624034	DN20 NBR Br
457876	70	647204	120/60	624034	DN20 NBR Br
457878	70	138109	024/DC	624040	DN25 NBR Br
457880	70	647204	120/60	624040	DN25 NBR Br
457882	70	138109	024/DC	624046	DN32+40 NBR Br
457884	70	647204	120/60	624046	DN32+40 NBR Br
457886	70	138109	024/DC	624046	DN32+40 NBR Br
457888	70	647204	120/60	624046	DN32+40 NBR Br
457890	70	138109	024/DC	624052	DN50+65 NBR Br
457892	70	647204	120/60	624052	DN50+65 NBR Br
457894	70	138129	024/DC	624038	DN20 FPM StSt
457896	70	647240	120/60	624038	DN20 FPM StSt
457898	70	138129	024/DC	624038	DN20 FPM StSt
457900	70	647240	120/60	624038	DN20 FPM StSt
457902	70	138129	024/DC	624044	DN25 FPM StSt
457904	70	647240	120/60	624044	DN25 FPM StSt
457906	70	138129	024/DC	624050	DN32+40 FPM StSt
457908	70	647240	120/60	624050	DN32+40 FPM StSt
457910	70	138129	024/DC	624050	DN32+40 FPM StSt
457912	70	647240	120/60	624050	DN32+40 FPM StSt
457914	70	138129	024/DC	624056	DN50+65 FPM StSt
457916	70	647240	120/60	624056	DN50+65 FPM StSt
460372	70	153251	120/60	624040	DN25 NBR Br

Article no. Complete unit	Diagram no.	Pos. 1 Pilot control, Type 0331		Pos. 2 Consumable parts	
		Order no.	V/Hz	Order no.	Orifice / Material
134542	70	138109	024/DC	624046	DN32+40 NBR Br
134543	70	138112	024/50	624046	DN32+40 NBR Br
134545	70	138110	230/50	624046	DN32+40 NBR Br
134546	70	138109	024/DC	624046	DN32+40 NBR Br
134547	70	138112	024/50	624046	DN32+40 NBR Br
134548	70	138111	110/50	624046	DN32+40 NBR Br
134549	70	138110	230/50	624046	DN32+40 NBR Br
134550	70	138109	024/DC	624052	DN50+65 NBR Br
134551	70	138112	024/50	624052	DN50+65 NBR Br
134552	70	138111	110/50	624052	DN50+65 NBR Br
134553	70	138110	230/50	624052	DN50+65 NBR Br
134554	70	138129	024/DC	624044	DN25 FPM StSt
134555	70	138124	024/50	624044	DN25 FPM StSt
134556	70	138126	110/50	624044	DN25 FPM StSt
134557	70	138125	230/50	624044	DN25 FPM StSt
134558	70	138129	024/DC	624050	DN32+40 FPM StSt
134559	70	138124	024/50	624050	DN32+40 FPM StSt
134561	70	138125	230/50	624050	DN32+40 FPM StSt
134562	70	138129	024/DC	624050	DN32+40 FPM StSt
134563	70	138124	024/50	624050	DN32+40 FPM StSt
134565	70	138125	230/50	624050	DN32+40 FPM StSt
134566	70	138129	024/DC	624056	DN50+65 FPM StSt
134567	70	138124	024/50	624056	DN50+65 FPM StSt
134569	70	138125	230/50	624056	DN50+65 FPM StSt
134570	70	138106	024/DC	624045	DN25 EPDM StSt
134571	70	138104	024/50	624045	DN25 EPDM StSt
134573	70	138101	230/50	624045	DN25 EPDM StSt
134574	70	138106	024/DC	624051	DN32+40 EPDM StSt
134578	70	138106	024/DC	624051	DN32+40 EPDM StSt
134581	70	138101	230/50	624051	DN32+40 EPDM StSt
134582	70	138106	024/DC	624057	DN50+65 EPDM StSt
137138	70	138117	024/DC	624037	DN20 NBR StSt
137139	70	138114	024/50	624037	DN20 NBR StSt
137141	70	138116	230/50	624037	DN20 NBR StSt
137142	70	138117	024/DC	624037	DN20 NBR StSt
137143	70	138114	024/50	624037	DN20 NBR StSt
137145	70	138116	230/50	624037	DN20 NBR StSt
137146	70	138117	024/DC	624043	DN25 NBR StSt
137147	70	138114	024/50	624043	DN25 NBR StSt
137149	70	138116	230/50	624043	DN25 NBR StSt
137150	70	138117	024/DC	624049	DN32+40 NBR StSt
137151	70	138114	024/50	624049	DN32+40 NBR StSt
137153	70	138116	230/50	624049	DN32+40 NBR StSt
137154	70	138117	024/DC	624049	DN32+40 NBR StSt
137155	70	138114	024/50	624049	DN32+40 NBR StSt
137157	70	138116	230/50	624049	DN32+40 NBR StSt
137158	70	138117	024/DC	624055	DN50+65 NBR StSt
137159	70	138114	024/50	624055	DN50+65 NBR StSt
137161	70	138116	230/50	624055	DN50+65 NBR StSt
138301	70	138109	024/DC	624031	DN13 NBR Br
140040	70	206211	024/DC	624040	DN25 NBR Br
141138	70	138106	024/DC	624039	DN20 EPDM StSt

Ordering Chart

Article no. Complete unit	Diagram no.	Pos. 1 Pilot control, Type 0331		Pos. 2 Consumable parts	
		Order no.	V/Hz	Order no.	Orifice / Material
134485	70	138097	230/50	624054	DN50+65 EPDM Br
134486	70	138120	024/DC	624032	DN13 FPM Br
134487	70	138122	024/50	624032	DN13 FPM Br
134488	70	138123	110/50	624032	DN13 FPM Br
134489	70	138118	230/50	624032	DN13 FPM Br
134490	70	138120	024/DC	624035	DN20 FPM Br
134491	70	138122	024/50	624035	DN20 FPM Br
134492	70	138123	110/50	624035	DN20 FPM Br
134493	70	138118	230/50	624035	DN20 FPM Br
134494	70	138120	024/DC	624041	DN25 FPM Br
134495	70	138122	024/50	624041	DN25 FPM Br
134496	70	138123	110/50	624041	DN25 FPM Br
134497	70	138118	230/50	624041	DN25 FPM Br
134498	70	138120	024/DC	624047	DN32+40 FPM Br
134499	70	138122	024/50	624047	DN32+40 FPM Br
134500	70	138123	110/50	624047	DN32+40 FPM Br
134501	70	138118	230/50	624047	DN32+40 FPM Br
134502	70	138120	024/DC	624047	DN32+40 FPM Br
134503	70	138122	024/50	624047	DN32+40 FPM Br
134504	70	138123	110/50	624047	DN32+40 FPM Br
134505	70	138118	230/50	624047	DN32+40 FPM Br
134506	70	138120	024/DC	624053	DN50+65 FPM Br
134507	70	138122	024/50	624053	DN50+65 FPM Br
134508	70	138123	110/50	624053	DN50+65 FPM Br
134509	70	138118	230/50	624053	DN50+65 FPM Br
134510	70	138120	024/DC	624053	DN50+65 FPM Br
134513	70	138118	230/50	624053	DN50+65 FPM Br
134514	70	138129	024/DC	624038	DN20 FPM StSt
134515	70	138124	024/50	624038	DN20 FPM StSt
134517	70	138125	230/50	624038	DN20 FPM StSt
134518	70	138129	024/DC	624038	DN20 FPM StSt
134519	70	138124	024/50	624038	DN20 FPM StSt
134520	70	138126	110/50	624038	DN20 FPM StSt
134521	70	138125	230/50	624038	DN20 FPM StSt
134522	70	138129	024/DC	624044	DN25 FPM StSt
134523	70	138124	024/50	624044	DN25 FPM StSt
134524	70	138126	110/50	624044	DN25 FPM StSt
134525	70	138125	230/50	624044	DN25 FPM StSt
134526	70	138129	024/DC	624050	DN32+40 FPM StSt
134527	70	138124	024/50	624050	DN32+40 FPM StSt
134528	70	138126	110/50	624050	DN32+40 FPM StSt
134529	70	138125	230/50	624050	DN32+40 FPM StSt
134530	70	138129	024/DC	624050	DN32+40 FPM StSt
134531	70	138124	024/50	624050	DN32+40 FPM StSt
134532	70	138126	110/50	624050	DN32+40 FPM StSt
134533	70	138125	230/50	624050	DN32+40 FPM StSt
134534	70	138129	024/DC	624056	DN50+65 FPM StSt
134535	70	138124	024/50	624056	DN50+65 FPM StSt
134536	70	138126	110/50	624056	DN50+65 FPM StSt
134537	70	138125	230/50	624056	DN50+65 FPM StSt
134538	70	138109	024/DC	624040	DN25 NBR Br
134539	70	138112	024/50	624040	DN25 NBR Br
134541	70	138110	230/50	624040	DN25 NBR Br

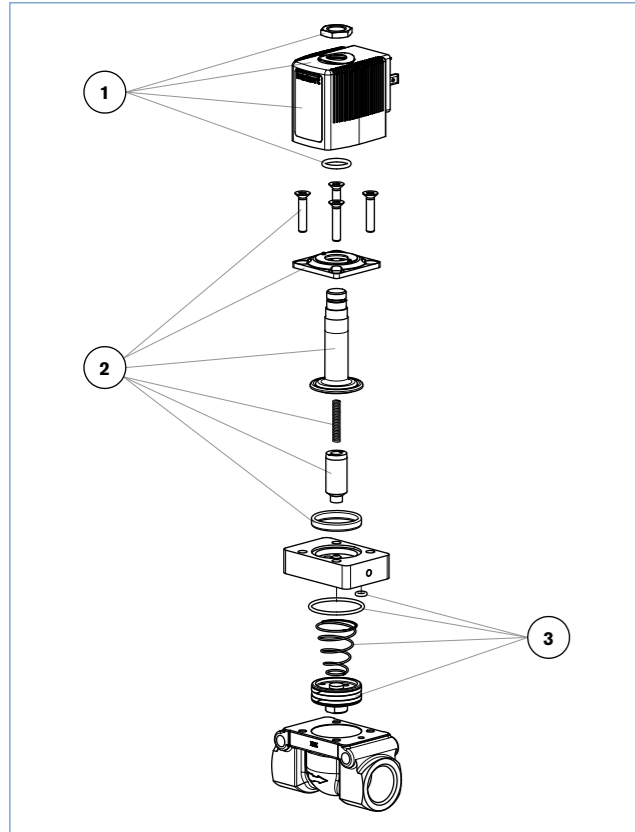
Ordering Chart

Article no. Complete unit	Diagram no.	Pos. 1 Pilot control, Type 0331		Pos. 2 Consumable parts	
		Order no.	V/Hz	Order no.	Orifice / Material
134430	70	138109	024/DC	624031	DN13 NBR Br
134431	70	138112	024/50	624031	DN13 NBR Br
134432	70	138111	110/50	624031	DN13 NBR Br
134433	70	138110	230/50	624031	DN13 NBR Br
134434	70	138109	024/DC	624034	DN20 NBR Br
134435	70	138112	024/50	624034	DN20 NBR Br
134436	70	138111	110/50	624034	DN20 NBR Br
134437	70	138110	230/50	624034	DN20 NBR Br
134438	70	138109	024/DC	624040	DN25 NBR Br
134439	70	138112	024/50	624040	DN25 NBR Br
134440	70	138111	110/50	624040	DN25 NBR Br
134441	70	138110	230/50	624040	DN25 NBR Br
134442	70	138109	024/DC	624046	DN32+40 NBR Br
134443	70	138112	024/50	624046	DN32+40 NBR Br
134444	70	138111	110/50	624046	DN32+40 NBR Br
134445	70	138110	230/50	624046	DN32+40 NBR Br
134446	70	138109	024/DC	624046	DN32+40 NBR Br
134447	70	138112	024/50	624046	DN32+40 N



2/2 way solenoid valve for neutral mediums

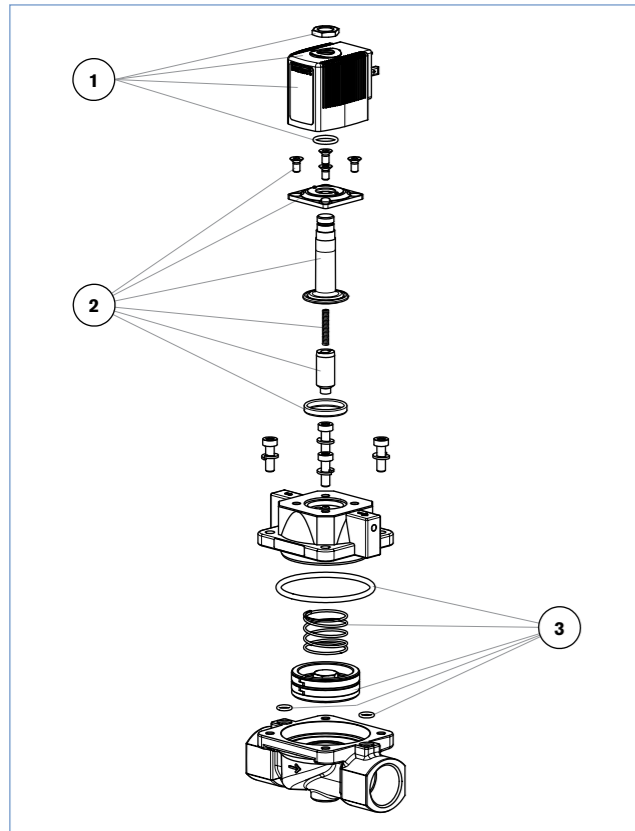
Diagram 71



Ordering Chart

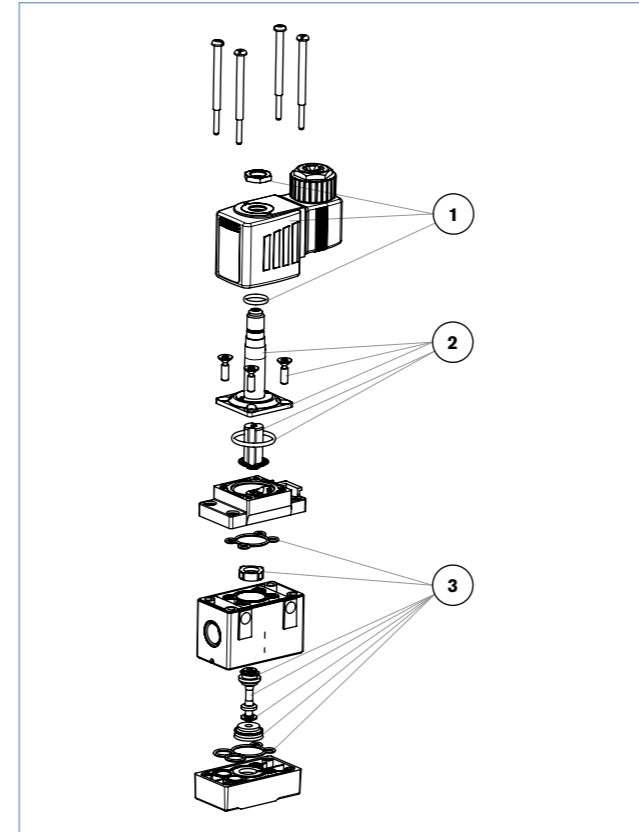
Article no. Complete unit	Diagram no.	Pos. 1 Spool set		Pos. 2 Plug set		Pos. 3 Consumable parts	
		Order no.	V/Hz	Order no.	Orifice / Material	Order no.	Orifice / Material
134590	71	126434	24/DC	645579	DN12 NBR	624378	DN12 PTFE/NBR
134591	71	126436	24/50	645579	DN12 NBR	624378	DN12 PTFE/NBR
134592	71	126432	110/50	645579	DN12 NBR	624378	DN12 PTFE/NBR
134593	71	645558	230/56	645579	DN12 NBR	624378	DN12 PTFE/NBR
134594	72	126434	24/DC	645581	DN20 NBR	624382	DN20 PTFE/NBR
134595	72	126436	24/50	645581	DN20 NBR	624382	DN20 PTFE/NBR
134596	72	126432	110/50	645581	DN20 NBR	624382	DN20 PTFE/NBR
134597	72	645558	230/56	645581	DN20 NBR	624382	DN20 PTFE/NBR
134598	72	126434	24/DC	645581	DN20 NBR	624385	DN25 PTFE/NBR
134599	72	126436	24/50	645581	DN20 NBR	624385	DN25 PTFE/NBR
134600	72	126432	110/50	645581	DN20 NBR	624385	DN25 PTFE/NBR
134601	72	645558	230/56	645581	DN20 NBR	624385	DN25 PTFE/NBR

Diagram 72



3/2 way solenoid valve for pneumatics

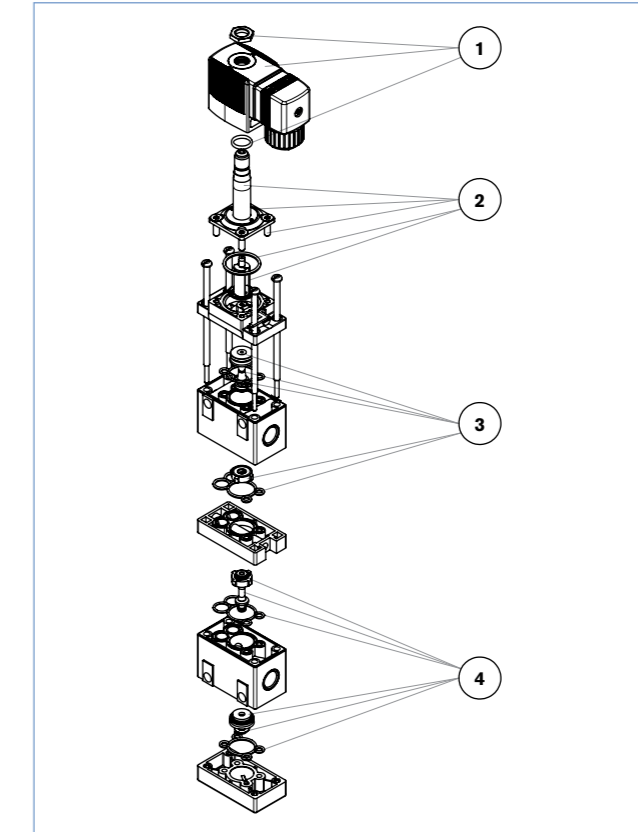
Diagram 73



Ordering Chart

Article no. Complete unit	Diagram no.	Pos. 1 Spool set		Pos. 2 Plug set	Pos. 3 Consumable parts
		Order no.	V/Hz / Power		
134607	73	645564	24/DC 2 W	645584	DC 645585 C
134608	73	645565	24/56 2 W	645583	AC 645585 C
134609	73	645566	110/56 2 W	645583	AC 645585 C
134610	73	645567	230/56 2 W	645583	AC 645585 C
134611	73	645564	24/DC 2 W	645584	DC 645586 D
134612	73	645565	24/56 2 W	645583	AC 645586 D
134613	73	645566	110/56 2 W	645583	AC 645586 D
134614	73	645567	230/56 2 W	645583	AC 645586 D
430579	73	645566	110/56 2 W	645583	AC 645585 C
430581	73	645566	110/56 2 W	645583	AC 645585 C
431962	73	645567	230/56 2 W	645583	AC 645585 C
439830	73	645566	110/56 2 W	645583	AC 645586 D
443266	73			645583	AC 645585 C
443267	73			645583	AC 645586 D
444215	73			645584	DC 645585 C
447368	73	645564	24/DC 2 W	645584	DC 645585 C
447848	73	645564	24/DC 2 W	645584	DC 645586 D
550413	73				645586 D
550414	73	645564	24/DC 2 W	645584	DC 645585 C
551284	73			645583	AC 645586 D
551591	73	645565	24/56 2 W	645583	AC 645585 C
552734	73			645583	AC 645585 C
553787	73	645567	230/56 2 W		645585 C
554219	73	645564	24/DC 2 W	645584	DC 645585 C
554222	73	645567	230/56 2 W	645583	AC 645586 D
554223	73				645586 D
554224	73			645584	DC 645586 D
557740	73	217082	24/DC 5 W		645585 C
557951	73	645564	24/DC 2 W	645584	DC 645585 C
558284	73			645584	DC 645585 C
559343	73				645585 C
560575	73				645585 C
562610	73	645564	24/DC 2 W	645584	DC 645585 C

Diagram 74



Ordering Chart

Article no. Complete unit	Diagram no.	Pos. 1 Spool set		Pos. 2 Plug set	Current type	Pos. 3 Consumable parts		Pos. 4 Consumable parts	
		Order no.	V/Hz / Power			Order no.	Circuit func- tion	Order no.	Circuit func- tion
134615	74	645564	24/DC 2 W	645584	DC	645586	D	645585	C
134616	74	645565	24/56 2 W	645583	AC	645586	D	645585	C
134617	74	645566	110/56 2 W	645583	AC	645586	D	645585	C
134618	74	645567	230/56 2 W	645583	AC	645586	D	645585	C
431368	74	202420	230/50 5 W			645586	D	645585	C
442865	74			645583	AC	645586	D	645585	C
443268	74			645583	AC	645586	D	645585	C
447374	74			645584	DC	645586	D	645585	C
449509	74			645584	DC	645586	D	645585	C
449798	74			645584	DC	645586	D	645585	C
449846	74	202420	230/50 5 W			645586	D	645585	C
449864	74					645586	D	645585	C
550416	74	204209	24/DC 5 W			645586	D	645585	C
550763	74					645586	D	645585	C
552343	74	645564	24/DC 2 W	645584	DC	645586	D	645585	C
553057	74			645586		645586	D	645585	C
554218	74	204209	24/DC 5 W			645586	D	645585	C
554220	74			645586		645586	D	645585	C
554225	74			645584	DC	645586	D	645585	C
555360	74			645584	DC	645586	D	645585	C
557949	74	645506	24/DC 2 W			645586	D	645585	C
558386	74					645586	D	645585	C
559803	74	645564	24/DC 2 W	645584	DC	645586	D	645585	C
560108	74					645586	D	645585	C
562239	74	645564	24/DC 2 W	645584	DC	645586	D	645585	C

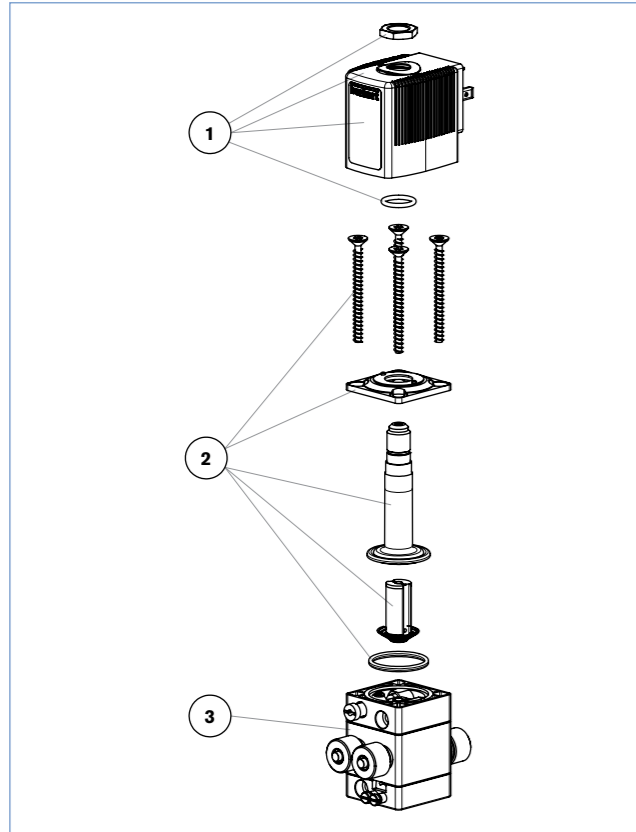


4/2 way solenoid valve for pneumatics



4/2 way solenoid valve for pneumatics

Diagram 75



4/2 way solenoid valve for pneumatics



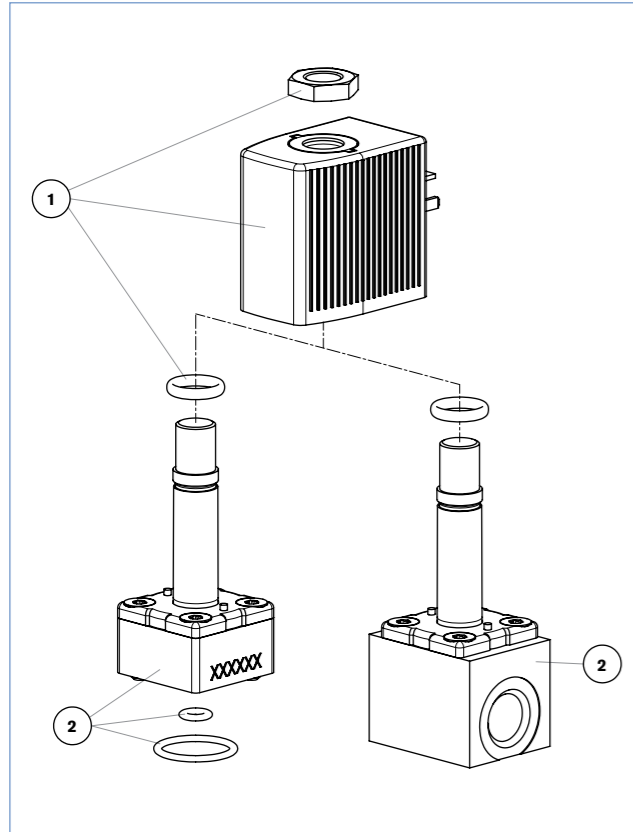
Ordering Chart

Article no. Complete unit	Diagram no.	Pos. 1 Spool set		Pos. 2 Plug set		Pos. 3 Pneumatics valve without coil	
		Order no.	V/Hz/ Power	Order no.	Current type	Order no.	Port connection 1 / Port connection 2
134622	75	645564	24/DC 2 W	645573	DC	047646	G 1/8 / G 1/8
134623	75	645565	24/56 2 W	645572	AC	047646	G 1/8 / G 1/8
134624	75	645566	110/56 2 W	645572	AC	047646	G 1/8 / G 1/8
134625	75	645567	230/56 2 W	645572	AC	047646	G 1/8 / G 1/8
134626	75	645564	24/DC 2 W	645572	AC	019653	G 1/8 / SL6/4
134627	75	645565	24/56 2 W	645572	AC	019653	G 1/8 / SL6/4
134628	75	645566	110/56 2 W	645572	AC	019653	G 1/8 / SL6/4
134629	75	645567	230/56 2 W	645572	AC	019653	G 1/8 / SL6/4
134630	75	645564	24/DC 2 W	645573	DC	045986	SL6/4/SL6/4
134631	75	645565	24/56 2 W	645572	AC	045986	SL6/4/SL6/4
134632	75	645566	110/56 2 W	645572	AC	045986	SL6/4/SL6/4
134633	75	645567	230/56 2 W	645572	AC	045986	SL6/4/SL6/4
134634	75	645564	24/DC 2 W	645573	DC	022395	flange/G 1/8
134635	75	645565	24/56 2 W	645572	AC	022395	flange/G 1/8
134636	75	645566	110/56 2 W	645572	AC	022395	flange/G 1/8
134637	75	645567	230/56 2 W	645572	AC	022395	flange/G 1/8
134638	75	645564	24/DC 2 W	645573	DC	047774	flange/SL6/4
134639	75	645565	24/56 2 W	645572	AC	047774	flange/SL6/4
134640	75	645566	110/56 2 W	645572	AC	047774	flange/SL6/4
134641	75	645567	230/56 2 W	645572	AC	047774	flange/SL6/4
187675	75	645564	24/DC 2 W	645572	AC	047646	G 1/8 / G 1/8
189495	75	645566	110/56 2 W	645572	AC	022395	flange/G 1/8
203427	75	645567	230/56 2 W	645572	AC	045986	SL6/4/SL6/4
209931	75	645564	24/DC 2 W	645573	DC	045986	SL6/4/SL6/4
212273	75	645564	24/DC 2 W	645572	AC	047774	flange/SL6/4



2/2 way mini solenoid valve

Diagram 76



Ordering Chart

Article no. Complete unit	Diagram no.	Pos. 1 Spool set		Pos. 2 Fitting without coil	
		Order no.	V/Hz / Power	Order no.	Orifice / Material / Connection
134071	76	646128	24/DC 4 W	133196	1.6 Br G ½
134084	76	646128	24/DC 4 W	133194	1.2 Br M5
134085	76	646126	24/56 4 W	133194	1.2 Br M5
134086	76	646131	110/56 4 W	133194	1.2 Br M5
134087	76	646135	230/56 4 W	133194	1.2 Br M5
134088	76	646128	24/DC 4 W	133195	1.6 Br M5
134089	76	646126	24/56 4 W	133195	1.6 Br M5
134090	76	646131	110/56 4 W	133195	1.6 Br M5
134091	76	646135	230/56 4 W	133195	1.6 Br M5
134092	76	646126	24/56 4 W	133196	1.6 Br G ½
134093	76	646131	110/56 4 W	133196	1.6 Br G ½
134094	76	646135	230/56 4 W	133196	1.6 Br G ½
134095	76	646128	24/DC 4 W	133197	2.0 Br G ½
134096	76	646126	24/56 4 W	133197	2.0 Br G ½
134097	76	646131	110/56 4 W	133197	2.0 Br G ½
134098	76	646135	230/56 4 W	133197	2.0 Br G ½
134099	76	646128	24/DC 4 W	133198	2.4 Br G ½
134100	76	646126	24/56 4 W	133198	2.4 Br G ½
134101	76	646131	110/56 4 W	133198	2.4 Br G ½
134102	76	646135	230/56 4 W	133198	2.4 Br G ½
134103	76	646128	24/DC 4 W	133203	1.6 StSt G ½
134104	76	646126	24/56 4 W	133203	1.6 StSt G ½
134105	76	646131	110/56 4 W	133203	1.6 StSt G ½
134106	76	646135	230/56 4 W	133203	1.6 StSt G ½
134107	76	646128	24/DC 4 W	133204	2.0 StSt G ½
134108	76	646126	24/56 4 W	133204	2.0 StSt G ½
134109	76	646131	110/56 4 W	133204	2.0 StSt G ½
134110	76	646135	230/56 4 W	133204	2.0 StSt G ½
134111	76	646128	24/DC 4 W	133215	2.4 StSt G ½
134112	76	646126	24/56 4 W	133215	2.4 StSt G ½
134113	76	646131	110/56 4 W	133215	2.4 StSt G ½
134114	76	646135	230/56 4 W	133215	2.4 StSt G ½
134115	76	646128	24/DC 4 W	133199	1.2 Br flange
134116	76	646126	24/56 4 W	133199	1.2 Br flange
134117	76	646131	110/56 4 W	133199	1.2 Br flange
134118	76	646135	230/56 4 W	133199	1.2 Br flange
134119	76	646128	24/DC 4 W	133200	1.6 Br flange
134120	76	646126	24/56 4 W	133200	1.6 Br flange
134121	76	646131	110/56 4 W	133200	1.6 Br flange
134122	76	646135	230/56 4 W	133200	1.6 Br flange
134123	76	646128	24/DC 4 W	133201	2.0 Br flange
134124	76	646126	24/56 4 W	133201	2.0 Br flange
134125	76	646131	110/56 4 W	133201	2.0 Br flange
134126	76	646135	230/56 4 W	133201	2.0 Br flange
134127	76	646128	24/DC 4 W	133202	2.4 Br flange
134128	76	646126	24/56 4 W	133202	2.4 Br flange
134129	76	646131	110/56 4 W	133202	2.4 Br flange
134130	76	646135	230/56 4 W	133202	2.4 Br flange
134131	76	646128	24/DC 4 W	133205	1.6 StSt flange
134132	76	646126	24/56 4 W	133205	1.6 StSt flange
134133	76	646131	110/56 4 W	133205	1.6 StSt flange
134134	76	646135	230/56 4 W	133205	1.6 StSt flange
134135	76	646128	24/DC 4 W	133206	2.0 StSt flange
134136	76	646126	24/56 4 W	133206	2.0 StSt flange
134137	76	646131	110/56 4 W	133206	2.0 StSt flange
134138	76	646135	230/56 4 W	133206	2.0 StSt flange
137794	76	646128	24/DC 4 W		
137795	76	646135	230/56 4 W		
137796	76	646128	24/DC 4 W		
137797	76	646135	230/56 4 W		

Ordering Chart

Article no. Complete unit	Diagram no.	Pos. 1 Spool set		Pos. 2 Fitting without coil	
		Order no.	V/Hz / Power	Order no.	Orifice / Material / Connection
137798	76	646128	24/DC 4 W		
137799	76	646135	230/56 4 W		
137800	76	646128	24/DC 4 W		
137801	76	646135	230/56 4 W		
137802	76	646128	24/DC 4 W		
137803	76	646135	230/56 4 W		
137804	76	646128	24/DC 4 W		
137805	76	646135	230/56 4 W		
137806	76	646128	24/DC 4 W		
137807	76	646135	230/56 4 W		
137808	76	646128	24/DC 4 W		
137809	76	646135	230/56 4 W		
137810	76	646128	24/DC 4 W		
137811	76	646135	230/56 4 W		
137812	76	646128	24/DC 4 W		
137813	76	646135	230/56 4 W		
137814	76	646128	24/DC 4 W		
137816	76	646128	24/DC 4 W		
161193	76	163243	24/DC 4 W	133198	2.4 Br G ½
161194	76	163247	230/56 4 W	133198	2.4 Br G ½
163491	76	163243	24/DC 4 W	133194	1.2 Br M5
163492	76	163241	24/56 4 W	133194	1.2 Br M5
163493	76	163244	110/56 4 W	133194	1.2 Br M5
163494	76	163247	230/56 4 W	133194	1.2 Br M5
163495	76	163243	24/DC 4 W	133195	1.6 Br M5
163496	76	163241	24/56 4 W	133195	1.6 Br M5
163497	76	163244	110/56 4 W	133195	1.6 Br M5
163498	76	163247	230/56 4 W	133195	1.6 Br M5
163499	76	163243	24/DC 4 W	133196	1.6 Br G ½
163500	76	163241	24/56 4 W	133196	1.6 Br G ½
163501	76	163244	110/56 4 W	133196	1.6 Br G ½
163502	76	163247	230/56 4 W	133196	1.6 Br G ½
163503	76	163243	24/DC 4 W	133197	2.0 Br G ½
163504	76	163241	24/56 4 W	133197	2.0 Br G ½
163505	76	163244	110/56 4 W	133197	2.0 Br G ½
163506	76	163247	230/56 4 W	133197	2.0 Br G ½
163507	76	163241	24/56 4 W	133198	2.4 Br G ½
163508	76	163244	110/56 4 W	133198	2.4 Br G ½
163509	76	163243	24/DC 4 W	133203	1.6 StSt G ½
163510	76	163241	24/56 4 W	133203	1.6 StSt G ½
163512	76	163247	230/56 4 W	133203	1.6 StSt G ½
163513	76	163243	24/DC 4 W	133204	2.0 StSt G ½
163514	76	163241	24/56 4 W	133204	2.0 StSt G ½
163516	76	163247	230/56 4 W	133204	2.0 StSt G ½
163517	76	163243	24/DC 4 W	133215	2.4 StSt G ½
163518	76	163241	24/56 4 W	133215	2.4 StSt G ½
163520	76	163247	230/56 4 W	133215	2.4 StSt G ½
163521	76	163243	24/DC 4 W	133199	1.2 Br flange
163522	76	163241	24/56 4 W	133199	1.2 Br flange
163523	76	163244	110/56 4 W	133199	1.2 Br flange
163524	76	163247	230/56 4 W	133199	1.2 Br flange
163525	76	163243	24/DC 4 W	133200	1.6 Br flange
163526	76	163241	24/56 4 W	133200	1.6 Br flange
163527	76	163244	110/56 4 W	133200	1.6 Br flange
163528	76	163247	230/56 4 W	133200	1.6 Br flange
163529	76	163243	24/DC 4 W	133201	2.0 Br flange
163530	76	163241	24/56 4 W	133201	2.0 Br flange
163531	76	163244	110/56 4 W	133201	2.0 Br flange
163532	76	163247	230/56 4 W	133201	2.0 Br flange

2/2 way mini solenoid valve

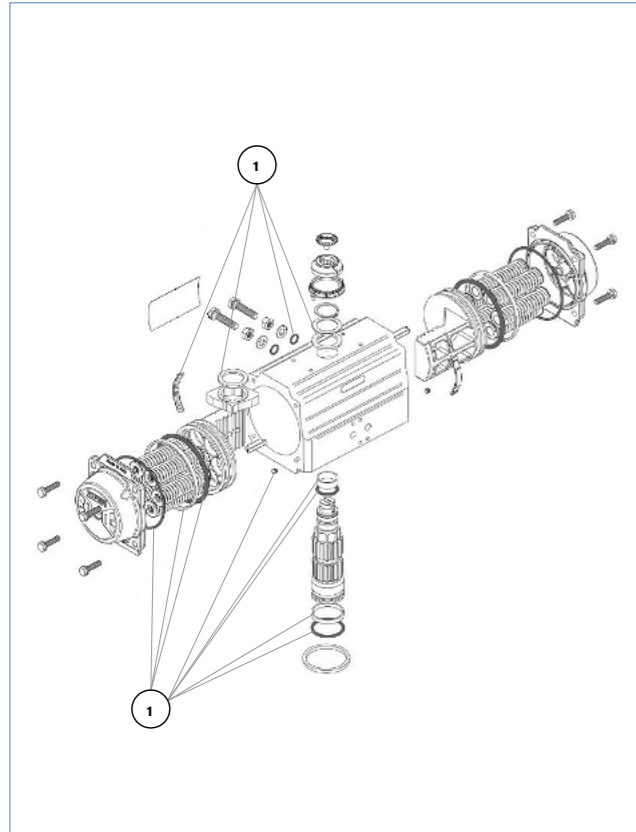


Article no. Complete unit	Diagram no.	Pos. 1 Spool set		Pos. 2 Fitting without coil	
		Order no.	V/Hz / Power	Order no.	Orifice / Material / Connection
163533	76	163243	24/DC 4 W	133202	2.4 Br flange
163534	76	163241	24/56 4 W	133202	2.4 Br flange
163535	76	163244	110/56 4 W	133202	2.4 Br flange
163536	76	163247	230/56 4 W	133202	2.4 Br flange
163537	76	163243	24/DC 4 W	133205	1.6 StSt flange
163538	76	163241	24/56 4 W	133205	1.6 StSt flange
163539	76	163244	110/56 4 W	133205	1.6 StSt flange
163540	76	163247	230/56 4 W	133205	1.6 StSt flange
163541	76	163243	24/DC 4 W	133206	2.0 StSt flange
163542	76	163241	24/56 4 W	133206	2.0 StSt flange
163543	76	163244	110/56 4 W	133206	2.0 StSt flange
163544	76	163247	230/56 4 W	133206	2.0 StSt flange
163545	76	163243	24/DC 4 W		
163546	76	163247	230/56 4 W		
163547	76	163243	24/DC 4 W		
163548	76	163247	230/56 4 W		
163549	76	163243	24/DC 4 W		
163550	76	163247	230/56 4 W		
163551	76	163243	24/DC 4 W		
163552	76	163247	230/56 4 W		
163553	76	163243	24/DC 4 W		
163554	76	163247	230/56 4 W		
163555	76	163243	24/DC 4 W		
163556	76	163247	230/56 4 W		
163557	76	163243	24/DC 4 W		
163558	76	163247	230/56 4 W		
163559	76	163243	24/DC 4 W		
163560	76	163247	230/56 4 W		
163561	76	163243	24/DC 4 W		
163562	76	163247	230/56 4 W		
163565	76	163243	24/DC 4 W		
163566	76	163247	230/56 4 W		
163567	76	163243	24/DC 4 W		
163568	76	163247	230/56 4 W		



Pneumatic rotary drive

Diagram 43



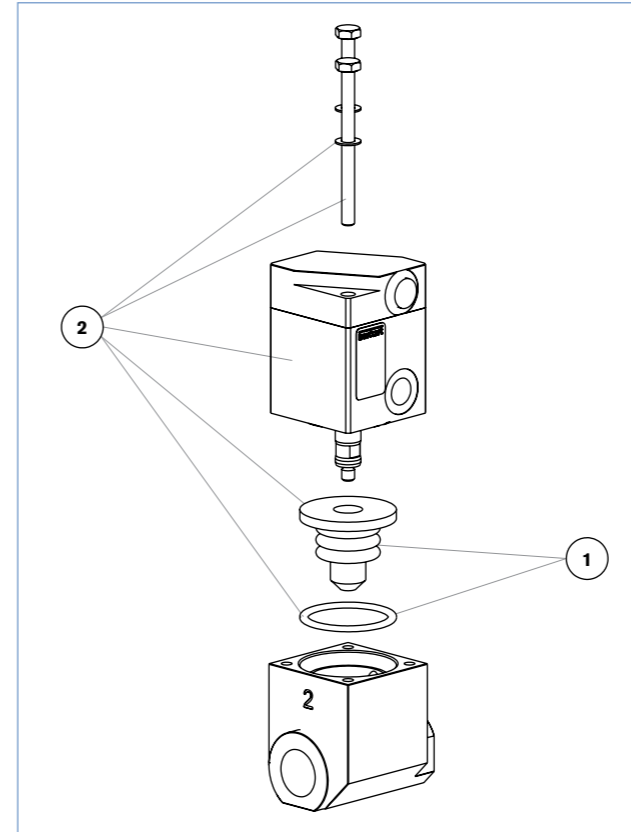
Ordering Chart

Article no. Complete unit	Diagram no.	Pos. 1 Consumable parts	
		Order no.	Actuator size
214520	43	770811	15
214522	43	770812	30
214524	43	770813	60
214525	43	770814	100
214526	43	770815	150
214527	43	770816	220
214528	43	770817	300
214529	43	770811	15
214530	43	770812	30
214531	43	770813	60
214532	43	770814	100
214533	43	770815	150
214534	43	770816	220
214535	43	770817	300
214536	43	770818	140
214537	43	770811	15
214538	43	770812	30
214539	43	770813	60
214540	43	770814	100
214541	43	770815	150
214542	43	770816	220
214543	43	770817	300
214545	43	770818	140

2/2 way valve, pneumatically operated,
with stainless steel body



Diagram 44



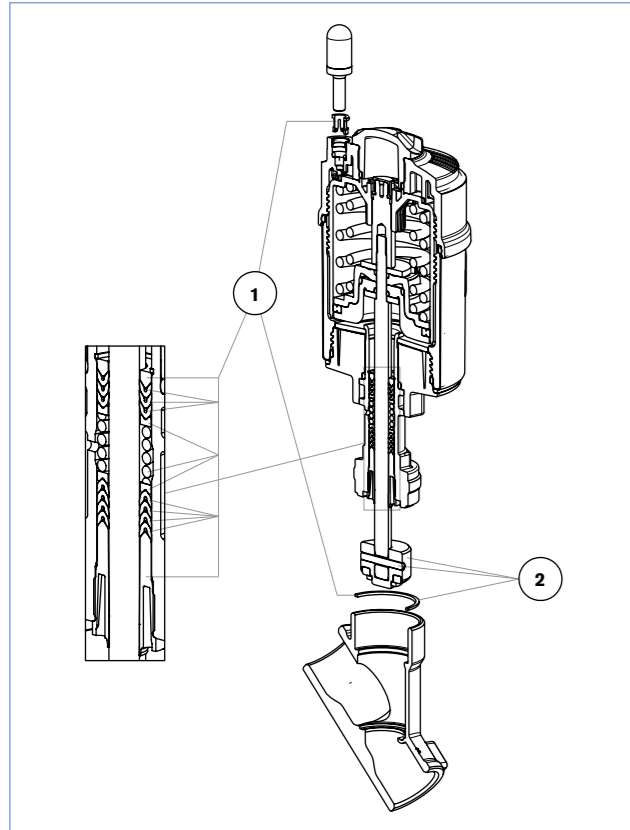
Ordering Chart

Article no. Complete unit	Diagram no.	Pos. 1 Consumable parts		Pos. 2 Bellow valve without body	
		Order no.	Material	Order no.	Circuit function
179582	44	247459	PTFE/FPM	180555	A
180555	44	247459	PTFE/FPM	180555	A
180729	44	247459	PTFE/FPM	180555	A
182863	44	247459	PTFE/FPM	180555	A
186407	44	247459	PTFE/FPM	180555	A
186409	44	247459	PTFE/FPM	180555	A



2/2 way angle-seat-valve with stainless steel design

Diagram 45



Ordering Chart

Article no. Complete unit	Diagram no.	Pos. 1 Seal set, actuator		Pos. 2 Valve set, PTFE	
		Order no.	Actuator size	Order no.	Orifice
175099	45	216433	D+M	011134	DN13
175101	45	216433	D+M	011171	DN20
175102	45	216433	D+M	160737	DN25
175104	45	216433	D+M	011208	DN32
175105	45	216435	N	011208	DN32
175106	45	216433	D+M	011209	DN40
175107	45	216435	N	011209	DN40
175108	45	216435	N	216431	DN50
175109	45	216433	D+M	011134	DN13
175110	45	216433	D+M	011171	DN20
175111	45	216433	D+M	160737	DN25
175112	45	216433	D+M	011208	DN32
175113	45	216433	D+M	011209	DN40
175114	45	216435	N	011209	DN40
175115	45	216433	D+M	216431	DN50
175116	45	216435	N	216431	DN50
175117	45	216433	D+M	011134	DN13
175119	45	216433	D+M	011171	DN20
175120	45	216433	D+M	160737	DN25
175121	45	216433	D+M	011208	DN32
175122	45	216433	D+M	011209	DN40
175123	45	216433	D+M	216431	DN50
187040	45	216433	D+M	011134	DN13
187041	45	216433	D+M	011134	DN13
187043	45	216433	D+M	011171	DN20
187044	45	216433	D+M	160737	DN25
187045	45	216433	D+M	011134	DN13
187046	45	216433	D+M	011171	DN20
187053	45	216433	D+M	011134	DN13
187054	45	216433	D+M	011134	DN13
187055	45	216433	D+M	011171	DN20
187056	45	216433	D+M	160737	DN25
187057	45	216433	D+M	011134	DN13
187058	45	216433	D+M	011171	DN20
187059	45	216433	D+M	011134	DN13
187060	45	216433	D+M	011134	DN13
187061	45	216433	D+M	011171	DN20
187062	45	216433	D+M	160737	DN25
187063	45	216433	D+M	011134	DN13
187064	45	216433	D+M	011171	DN20
187065	45	216433	D+M	011134	DN13
187066	45	216433	D+M	011134	DN13
187067	45	216433	D+M	011171	DN20
187068	45	216433	D+M	160737	DN25
187069	45	216433	D+M	011134	DN13
187070	45	216433	D+M	011171	DN20
187071	45	216433	D+M	011134	DN13
187072	45	216433	D+M	011134	DN13
187073	45	216433	D+M	011171	DN20
187074	45	216433	D+M	160737	DN25
187075	45	216433	D+M	011134	DN13
187076	45	216433	D+M	011171	DN20
187077	45	216433	D+M	011134	DN13
187078	45	216433	D+M	011134	DN13
187079	45	216433	D+M	011171	DN20
187080	45	216433	D+M	160737	DN25
187082	45	216433	D+M	011134	DN13

Article no. Complete unit	Diagram no.	Pos. 1 Seal set, actuator		Pos. 2 Valve set, PTFE	
		Order no.	Actuator size	Order no.	Orifice
187083	45	216433	D+M	011171	DN20
187084	45	216433	D+M	011134	DN13
187085	45	216433	D+M	011134	DN13
187086	45	216433	D+M	011171	DN20
187087	45	216433	D+M	160737	DN25
187089	45	216433	D+M	011134	DN13
187090	45	216433	D+M	011171	DN20
187091	45	216433	D+M	011134	DN13
187092	45	216433	D+M	011134	DN13
187093	45	216433	D+M	011171	DN20
187094	45	216433	D+M	160737	DN25
187095	45	216433	D+M	011134	DN13
187096	45	216433	D+M	011171	DN20
187097	45	216433	D+M	011134	DN13
187101	45	216433	D+M	011134	DN13
187102	45	216433	D+M	011171	DN20
187103	45	216433	D+M	011134	DN13
187107	45	216433	D+M	011134	DN13
187108	45	216433	D+M	011171	DN20
188610	45	216435	N	216431	DN50
188634	45	216433	D+M	011134	DN13
188635	45	216433	D+M	011171	DN20
188636	45	216433	D+M	160737	DN25
188637	45	216433	D+M	011208	DN32
188638	45	216435	N	011208	DN32
188639	45	216433	D+M	011209	DN40
188640	45	216435	N	011209	DN40
188641	45	216435	N	216431	DN50
188642	45	216435	N	216431	DN50
188646	45	216433	D+M	011208	DN32
188647	45	216433	D+M	011209	DN40
188649	45	216433	D+M	216431	DN50
188651	45	216433	D+M	011134	DN13
188652	45	216433	D+M	011171	DN20
188653	45	216433	D+M	160737	DN25
188654	45	216433	D+M	011208	DN32
188655	45	216433	D+M	011209	DN40
188656	45	216433	D+M	216431	DN50
188657	45	216433	D+M	011134	DN13
188658	45	216433	D+M	011171	DN20
188659	45	216433	D+M	160737	DN25
188660	45	216433	D+M	011208	DN32
188661	45	216435	N	011208	DN32
188662	45	216435	N	011209	DN40
188663	45	216435	N	011209	DN40
188664	45	216435	N	216431	DN50
188665	45	216433	D+M	011134	DN13
188666	45	216433	D+M	011208	DN32
188669	45	216433	D+M	011208	DN32
188670	45	216433	D+M	011209	DN40
188672	45	216433	D+M	216431	DN50
188674	45	216433	D+M	011171	DN20
188675	45	216433	D+M	160737	DN25
188676	45	216433	D+M	011208	DN32
188677	45	216433	D+M	011209	DN40
188678	45	216433	D+M	216431	DN50
188679	45	216433	D+M	216431	DN50
188680	45	216433	D+M	011134	DN13

Ordering Chart

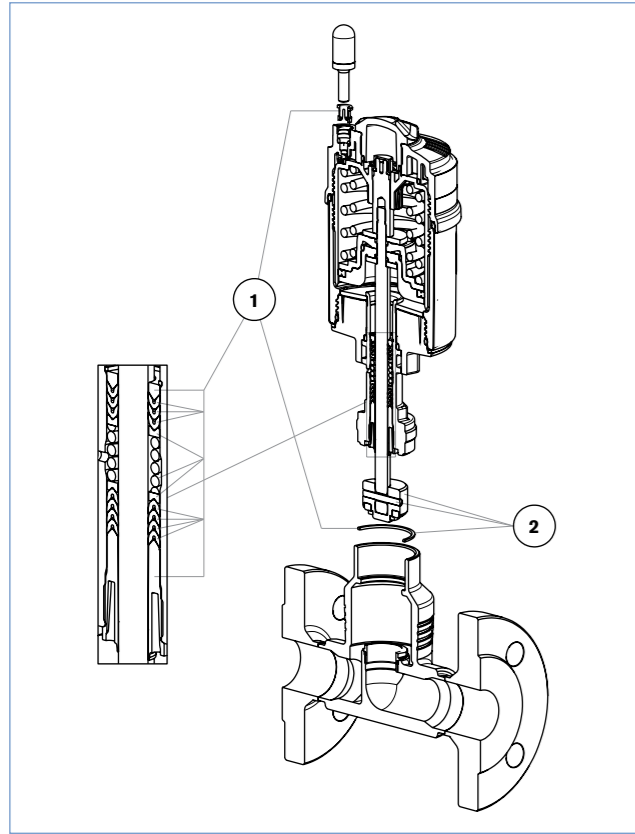
Article no. Complete unit	Diagram no.	Pos. 1 Seal set, actuator		Pos. 2 Valve set, PTFE	
		Order no.	Actuator size	Order no.	Orifice
188681	45	216433	D+M	011171	DN20
188682	45	216433	D+M	160737	DN25
188683	45	216433	D+M	011208	DN32
188684	45	216435	N	011208	DN32
188685	45	216433	D+M	011209	DN40
188686	45	216435	N	011209	DN40
188687	45	216435	N	216431	DN50
188688	45	216435	N	216431	DN50
188692	45	216433	D+M	011208	DN32
188693	45	216433	D+M	011209	DN40
188695	45	216433	D+M	216431	DN50
188697	45	216433	D+M	011134	DN13
188698	45	216433	D+M	011171	DN20
188699	45	216433	D+M	160737	DN25
188700	45	216433	D+M	011208	DN32
188701	45	216433	D+M	011209	DN40
188702	45	216433	D+M	216431	DN50
188703	45	216433	D+M	011134	DN13
188704	45	216433	D+M	011171	DN20
188705	45	216433	D+M	160737	DN25
188706	45	216433	D+M	011208	DN32
188707	45	216435	N	011208	DN32
188708	45	216433	D+M	011209	DN40
188709	45	216435	N	011209	DN40
188711	45	216435	N	216431	DN50
188715	45	216433	D+M	011208	DN32
188716	45	216433	D+M	011209	DN40
188718	45	216433	D+M	216431	DN50
188720	45	216433	D+M	011134	DN13
188721	45	216433	D+M	011171	DN20
188722	45	216433	D+M	160737	DN25
188723	45	216433	D+M	011208	DN32
188724	45	216433	D+M	011209	DN40
188725	45	216433	D+M	216431	DN50
188726	45	216433	D+M	011134	DN13
188727	45	216433	D+M	011171	DN20
188728	45	216433	D+M	160737	DN25
188729	45	216433	D+M	011209	DN40
188730	45	216435	N	011209	DN40
188731	45	216435	N	216431	DN50
188732	45	216435	N	216431	DN50
188736	45	216433	D+M	011209	DN40
188738	45	216433	D+M	216431	DN50
188740	45	216433	D+M	011134	DN13
188741	45	216433	D+M	011171	DN20
188742	45	216433	D+M	160737	DN25
188743	45	216433	D+M	011209	DN40
188744	45	216433	D+M	216431	DN50
188745	45	216433	D+M	011134	DN13
188746	45	216433	D+M	011171	DN20
188747	45	216433	D+M	160737	DN25
188748	45	216433	D+M	011209	DN40
188749	45	216435	N	011209	DN40
188750	45	216435	N	216431	DN50
188751	45	216435	N	216431	DN50
188755	45	216433	D+M	011209	DN40

Article no. Complete unit	Diagram no.	Pos. 1 Seal set, actuator		Pos. 2 Valve set, PTFE	
		Order no.	Actuator size	Order no.	Orifice
188757	45	216433	D+M	216431	DN50
188759	45	216433	D+M	011134	DN13
188760	45	216433	D+M	011171	DN20
188761	45	216433	D+M	160737	DN25
188762	45	216433	D+M	011209	DN40
188763	45	216433	D+M	216431	DN50
188764	45	216433	D+M	011134	DN13
188765	45	216433	D+M	011171	DN20
188766	45	216433	D+M	160737	DN25
188767	45	216433	D+M	011209	DN40
188768	45	216435	N	011209	DN40
188769	45	216435	N	216431	DN50
188770	45	216435	N	216431	DN50
188774	45	216433	D+M	011209	DN40
188776	45	216433	D+M	216431	DN50
188778	45	216433	D+M	011134	DN13
188779	45	216433	D+M	011171	DN20
188780	45	216433	D+M	160737	DN25
188781	45	216433	D+M	011209	DN40
188782	45	216433	D+M	216431	DN50</



2/2 way globe valve with stainless steel design

Diagram 46



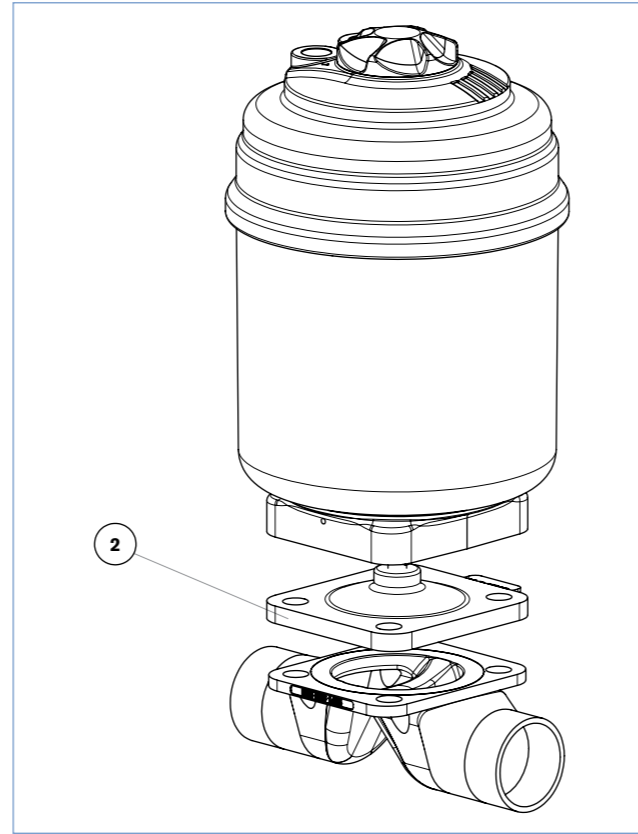
Ordering Chart

Article no. Complete unit	Diagram no.	Pos. 1 Seal set, actuator		Pos. 2 Valve set, PTFE	
		Order no.	Actuator size	Order no.	Orifice
189700	46	216433	D+M	160737	DN25
203076	46	216433	D+M	011134	DN13
203077	46	216433	D+M	011171	DN20
203078	46	216433	D+M	011171	DN20
203079	46	216433	D+M	160737	DN25
203080	46	216433	D+M	011208	DN32
203081	46	216435	N	011208	DN32
203082	46	216433	D+M	011209	DN40
203083	46	216435	N	011209	DN40
203084	46	216435	N	216431	DN50
203086	46	216433	D+M	011134	DN13
203087	46	216433	D+M	011171	DN20
203088	46	216433	D+M	160737	DN25
203091	46	216433	D+M	011208	DN32
203092	46	216433	D+M	011209	DN40
203094	46	216435	N	216431	DN50
203095	46	216433	D+M	011134	DN13
203096	46	216433	D+M	011171	DN20
203097	46	216433	D+M	011171	DN20
203098	46	216433	D+M	160737	DN25
203099	46	216433	D+M	160737	DN25
203100	46	216433	D+M	011209	DN40
203101	46	216435	N	011209	DN40
203102	46	216435	N	216431	DN50
203103	46	216433	D+M	011134	DN13
203104	46	216433	D+M	011171	DN20
203105	46	216433	D+M	160737	DN25
203107	46	216433	D+M	011209	DN40
203109	46	216435	N	216431	DN50
203111	46	216433	D+M	011134	DN13
203112	46	216433	D+M	011171	DN20
203113	46	216433	D+M	011171	DN20
203114	46	216433	D+M	160737	DN25
203115	46	216433	D+M	160737	DN25
203118	46	216433	D+M	011209	DN40
203121	46	216435	N	011209	DN40
203122	46	216435	N	216431	DN50
203123	46	216433	D+M	011134	DN13
203124	46	216433	D+M	011171	DN20
203125	46	216433	D+M	160737	DN25
203127	46	216433	D+M	011209	DN40
203129	46	216435	N	216431	DN50
203266	46	216433	D+M	011134	DN13
204973	46	216433	D+M	216431	DN50
204974	46	216433	D+M	216431	DN50
204975	46	216433	D+M	216431	DN50
218418	46	216435	N	216431	DN50
218419	46	216435	N	216431	DN50
218471	46	216435	N	216431	DN50



2/2 way diaphragm valve with stainless steel design

Diagram 47



Ordering Chart

Article no. Complete unit	Diagram no.	Pos. 1 Diaphragm, packed	
		Order no.	Orifice / Material
218005	47	677663	DN8 EPDM
218006	47	677664	DN15 EPDM
218007	47	677665	DN20 EPDM
218008	47	677667	DN25 EPDM
218009	47	677667	DN25 EPDM
218010	47	677669	DN40 EPDM
218011	47	677670	DN50 EPDM
218012	47	677674	DN8 PTFE/EPDM
218013	47	677675	DN15 PTFE/EPDM
218014	47	677676	DN20 PTFE/EPDM
218015	47	677677	DN25 PTFE/EPDM
218016	47	677677	DN25 PTFE/EPDM
218017	47	677679	DN40 PTFE/EPDM
218018	47	677680	DN50 PTFE/EPDM
218019	47	677663	DN8 EPDM
218020	47	677664	DN15 EPDM
218021	47	677665	DN20 EPDM
218022	47	677667	DN25 EPDM
218023	47	677665	DN25 EPDM
218024	47	677669	DN40 EPDM
218025	47	677670	DN50 EPDM
218026	47	677674	DN8 PTFE/EPDM
218027	47	677675	DN15 PTFE/EPDM
218028	47	677676	DN20 PTFE/EPDM
218029	47	677677	DN25 PTFE/EPDM
218030	47	677677	DN25 PTFE/EPDM
218031	47	677679	DN40 PTFE/EPDM
218032	47	677680	DN50 PTFE/EPDM
218033	47	677663	DN8 EPDM
218034	47	677663	DN8 EPDM
218035	47	677664	DN15 EPDM
218036	47	677665	DN20 EPDM
218037	47	677665	DN25 EPDM
218038	47	677667	DN25 EPDM
218039	47	677669	DN40 EPDM
218040	47	677670	DN50 EPDM
218041	47	677674	DN8 PTFE/EPDM
218042	47	677674	DN8 PTFE/EPDM
218043	47	677675	DN15 PTFE/EPDM
218044	47	677676	DN20 PTFE/EPDM
218045	47	677677	DN25 PTFE/EPDM
218046	47	677677	DN25 PTFE/EPDM
218047	47	677679	DN40 PTFE/EPDM
218048	47	677680	DN50 PTFE/EPDM
218049	47	677663	DN8 EPDM
218050	47	677663	DN8 EPDM
218051	47	677664	DN15 EPDM
218052	47	677665	DN20 EPDM
218053	47	677674	DN8 PTFE/EPDM
218054	47	677674	DN8 PTFE/EPDM
218055	47	677675	DN15 PTFE/EPDM
218056	47	677676	DN20 PTFE/EPDM
218057	47	677664	DN15 EPDM
218058	47	677665	DN20 EPDM
218059	47	677667	DN25 EPDM
218060	47	677667	DN25 EPDM
218061	47	677669	DN40 EPDM
218062	47	677670	DN50 EPDM
218063	47	677675	DN15 PTFE/EPDM
218064	47	677676	DN20 PTFE/EPDM
218065	47	677677	DN25 PTFE/EPDM
218066	47	677677	DN25 PTFE/EPDM
218067	47	677679	DN40 PTFE/EPDM
218068	47	677680	DN50 PTFE/EPDM
218070	47	677663	DN8 EPDM
218071	47	677664	DN15 EPDM

2/2 way diaphragm valve with stainless steel design

Ordering Chart

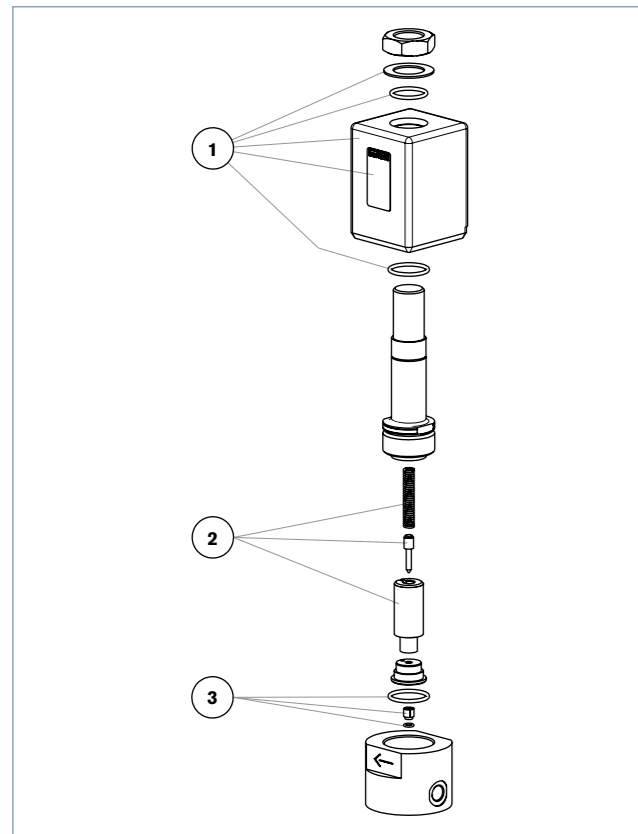
Article no. Complete unit	Diagram no.	Pos. 1 Diaphragm, packed	
		Order no.	Orifice / Material
218072	47	677665	DN20 EPDM
218073	47	677670	DN25 EPDM
218074	47	677667	DN25 EPDM
218075	47	677669	DN40 EPDM
218076	47	677670	DN50 EPDM
218078	47	677674	DN8 PTFE/EPDM
218079	47	677675	DN15 PTFE/EPDM
218080	47	677676	DN20 PTFE/EPDM
218081	47	677677	DN25 PTFE/EPDM
218082	47	677677	DN25 PTFE/EPDM
218083	47	677679	DN40 PTFE/EPDM
218084	47	677680	DN50 PTFE/EPDM
218085	47	677663	DN8 EPDM
218086	47	677677	DN15 EPDM
218087	47	677679	DN20 EPDM
218088	47	677680	DN25 EPDM
218089	47	677663	DN25 EPDM
218090	47	677664	DN40 EPDM
218091	47	677665	DN50 EPDM
218092	47	677667	DN8 PTFE/EPDM
218093	47	677667	DN15 PTFE/EPDM
218094	47	677669	DN20 PTFE/EPDM
218095	47	677670	DN25 PTFE/EPDM
218096	47	677674	DN25 PTFE/EPDM
218097	47	677675	DN40 PTFE/EPDM
218098	47	677676	DN50 PTFE/EPDM
225221	47	677677	DN25 EPDM
225222	47	677677	DN25 EPDM
225223	47	677679	DN40 EPDM
225546	47	677680	DN8 EPDM
225547	47	677663	DN15 EPDM
225548	47	677664	DN20 EPDM
225549	47	677665	DN25 EPDM
225550	47	677667	DN25 EPDM
225551	47	677667	DN40 EPDM
225552	47	677669	DN50 EPDM
225553	47	677670	DN8 PTFE/EPDM
225554	47	677674	DN15 PTFE/EPDM
225555	47	677675	DN20 PTFE/EPDM
225556	47	677676	DN25 PTFE/EPDM
225557	47	677677	DN25 PTFE/EPDM
225558	47	677677	DN40 PTFE/EPDM
225559	47	677679	DN50 PTFE/EPDM
225560	47	677680	DN8 EPDM
225561	47	677663	DN15 EPDM
225562	47	677667	DN20 EPDM
225563	47	677669	DN25 EPDM
225564	47	677663	DN20 PTFE/EPDM
225565	47	677664	DN40 EPDM
225566	47	677665	DN50 EPDM
225567	47	677667	DN8 PTFE/EPDM
225568	47	677667	DN15 PTFE/EPDM
225569	47	677669	DN20 PTFE/EPDM
225570	47	677670	DN25 PTFE/EPDM
225571	47	677674	DN25 PTFE/EPDM
225572	47	677675	DN40 PTFE/EPDM
225573	47	677676	DN50 PTFE/EPDM
225574	47	677677	DN8 EPDM
225575	47	677677	DN8 EPDM
225576	47	677679	DN15 EPDM
225577	47	677680	DN20 EPDM
225578	47	677663	DN25 EPDM
225579	47	677664	DN50 EPDM
225580	47	677665	DN8 PTFE/EPDM
225581	47	677667	DN8 PTFE/EPDM
225582	47	677667	DN15 PTFE/EPDM

Article no. Complete unit	Diagram no.	Pos. 1 Diaphragm, packed	
		Order no.	Orifice / Material
225583	47	677669	DN20 PTFE/EPDM
225584	47	677670	DN25 PTFE/EPDM
225585	47	677674	DN25 PTFE/EPDM
225586	47	677675	DN40 PTFE/EPDM
225587	47	677676	DN50 PTFE/EPDM
225588	47	677677	DN8 EPDM
225589	47	677677	DN8 EPDM
225590	47	677679	DN15 EPDM
225591	47	677680	DN20 EPDM
225592	47	677663	DN8 PTFE/EPDM
225593	47	677663	DN8 PTFE/EPDM
225594	47	677664	DN15 PTFE/EPDM
225595	47	677665	DN20 PTFE/EPDM
225596	47	677667	DN15 EPDM
225597	47	677670	DN20 EPDM
225598	47	677674	DN25 EPDM
225599	47	677674	DN25 EPDM
225600	47	677675	DN40 EPDM
225601	47	677676	DN50 EPDM
225602	47	677677	DN15 PTFE/EPDM
225603	47	677677	DN20 PTFE/EPDM
225604	47	677679	DN25 PTFE/EPDM
225605	47	677680	DN25 PTFE/EPDM
225606	47	677663	DN40 PTFE/EPDM
225607	47	677663	DN50 PTFE/EPDM
225609	47	677664	DN8 EPDM
225610	47	677665	DN15 EPDM
225611	47	677674	DN20 EPDM
225612	47	677674	DN25 EPDM
225613	47	677675	DN40 EPDM
225614	47	677676	DN50 EPDM
225616	47	677664	DN8 PTFE/EPDM
225617	47	677665	DN15 PTFE/EPDM
225618	47	677667	DN20 PTFE/EPDM
225619	47	677667	DN25 PTFE/EPDM
225620	47	677669	DN25 PTFE/EPDM
225621	47	677670	DN40 PTFE/EPDM
225622	47	677675	DN50 PTFE/EPDM
225624	47	677676	DN8 EPDM
225625	47	677677	DN15 EPDM
225626	47	677677	DN20 EPDM
225627	47	677679	DN25 EPDM
225628	47	677680	DN25 EPDM
225629	47	677663	DN40 EPDM
225631	47	677670	DN50 EPDM
225632	47	677674	DN8 PTFE/EPDM
225633	47	677675	DN15 PTFE/EPDM
225634	47	677676	DN20 PTFE/EPDM
225635	47	677677	DN25 PTFE/EPDM
225636	47	67767	



2/2 way solenoid valve

Diagram 48



Ordering Chart

Article no. Complete unit	Diagram no.	Pos. 1 Spool set		Pos. 2 Consumable parts, WW A		Pos. 3 Seal set, PCTFE/FKM	
		Order no.	V/Hz	Order no.	Current type	Order no.	Orifice
000474	48	236961	230/50	014980	AC+DC	014978	DN1.2
000487	48	236965	024/DC	014980	AC+DC	014978	DN1.2
000630	48	236961	230/50	014980	AC+DC	015236	DN2
000673	48	236959	024/50	014980	AC+DC	015236	DN2
000733	48	236959	024/50	014980	AC+DC	014978	DN1.2

Full Service Excellence

Advantages at a glance

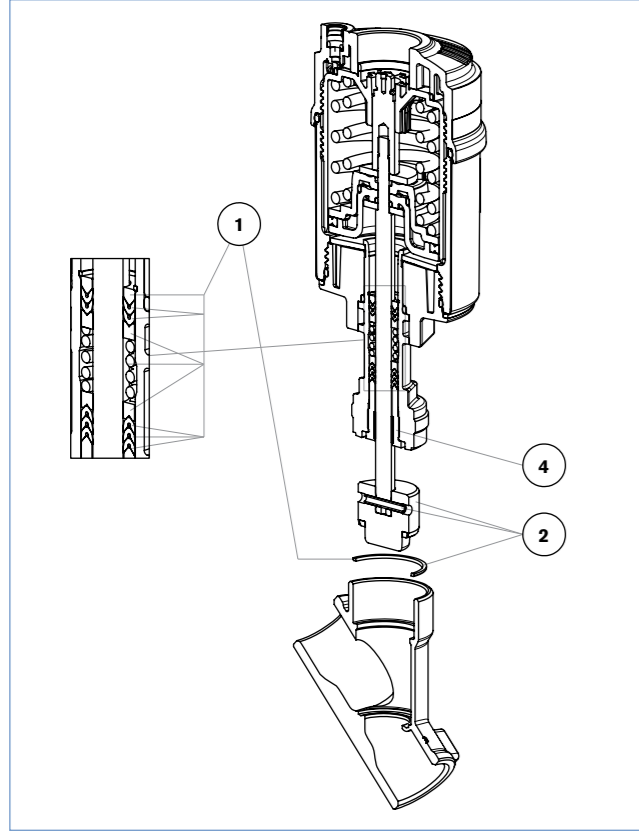
- ✓ Value for your investment
- ✓ Individually tailored maintenance contracts
- ✓ Cost transparency over a longer period
- ✓ Straightforward handling
- ✓ Low maintenance
- ✓ Shorter downtimes
- ✓ Guaranteed Resource Scheduling
- ✓ Expertise in the field of valve technology
- ✓ Accessibility





2/2 way angle-seat control valve with stainless steel design

Diagram 49



Ordering Chart

Article no. Complete unit	Diagram no.	Pos. 1 Seal set, actuator		Pos. 2 Control cone set, process valve		Pos. 4 Stainless steel spindle guide
		Order no.	Actuator size	Order no.	Orifice / Material	
203500	49	216438	N	226948	DN50 PTFE	246594
203510	49	216438	N	226948	DN50 PTFE	246594
203537	49	216438	N	226948	DN50 PTFE	246594
203546	49	216438	N	226948	DN50 PTFE	246594
203555	49	216438	N	226948	DN50 PTFE	246594
203564	49	216438	N	226948	DN50 PTFE	246594
203565	49	216436	D+M	170315	DN13 PTFE	246577
203566	49	216436	D+M	170315	DN13 PTFE	246577
203567	49	216436	D+M	170316	DN20 PTFE	246578
203568	49	216436	D+M	170316	DN20 PTFE	246578
203569	49	216436	D+M	170318	DN25 PTFE	246578
203570	49	216436	D+M	170318	DN25 PTFE	246578
203571	49	216436	D+M	170319	DN32 PTFE	246582
203572	49	216438	N	226945	DN40 PTFE	246593
203573	49	216438	N	226948	DN50 PTFE	246594
203574	49	216436	D+M	170315	DN13 PTFE	246577
203575	49	216436	D+M	170315	DN13 PTFE	246577
203576	49	216436	D+M	170316	DN20 PTFE	246578
203577	49	216436	D+M	170316	DN20 PTFE	246578
203578	49	216436	D+M	170318	DN25 PTFE	246578
203579	49	216436	D+M	170318	DN25 PTFE	246578
203580	49	216436	D+M	170319	DN32 PTFE	246582
203581	49	216438	N	226945	DN40 PTFE	246593
203582	49	216438	N	226948	DN50 PTFE	246594
203583	49	216436	D+M	170315	DN13 PTFE	246577
203584	49	216436	D+M	170315	DN13 PTFE	246577
203585	49	216436	D+M	170316	DN20 PTFE	246578
203586	49	216436	D+M	170316	DN20 PTFE	246578
203587	49	216436	D+M	170318	DN25 PTFE	246578
203588	49	216436	D+M	170318	DN25 PTFE	246578
203589	49	216436	D+M	170319	DN32 PTFE	246582
203590	49	216438	N	226945	DN40 PTFE	246593
203591	49	216438	N	226948	DN50 PTFE	246594
203592	49	216436	D+M	170315	DN13 PTFE	246577
203593	49	216436	D+M	170315	DN13 PTFE	246577
203594	49	216436	D+M	170316	DN20 PTFE	246578
203595	49	216436	D+M	170316	DN20 PTFE	246578
203596	49	216436	D+M	170318	DN25 PTFE	246578
203597	49	216436	D+M	170318	DN25 PTFE	246578
203598	49	216436	D+M	170319	DN32 PTFE	246582
203599	49	216438	N	226945	DN40 PTFE	246593
203600	49	216438	N	226948	DN50 PTFE	246594
203601	49	216436	D+M	170315	DN13 PTFE	246577
203602	49	216436	D+M	170315	DN13 PTFE	246577
203603	49	216436	D+M	170316	DN20 PTFE	246578
203604	49	216436	D+M	170316	DN20 PTFE	246578
203605	49	216436	D+M	170318	DN25 PTFE	246578
203606	49	216436	D+M	170318	DN25 PTFE	246578
203607	49	216438	N	226945	DN40 PTFE	246593
203608	49	216438	N	226948	DN50 PTFE	246594
203609	49	216436	D+M	170315	DN13 PTFE	246577
203610	49	216436	D+M	170315	DN13 PTFE	246577
203611	49	216436	D+M	170316	DN20 PTFE	246578
203612	49	216436	D+M	170316	DN20 PTFE	246578
203613	49	216436	D+M	170318	DN25 PTFE	246578
203614	49	216436	D+M	170318	DN25 PTFE	246578



2/2 way angle-seat control valve with stainless steel design

Ordering Chart

Article no. Complete unit	Diagram no.	Pos. 1 Seal set, actuator		Pos. 2 Control cone set, process valve		Pos. 4 Stainless steel spindle guide
		Order no.	Actuator size	Order no.	Orifice / Material	
203615	49	216438	N	226945	DN40 PTFE	246593
203616	49	216438	N	226948	DN50 PTFE	246594
203617	49	216436	D+M	170315	DN13 PTFE	246577
203618	49	216436	D+M	170315	DN13 PTFE	246577
203619	49	216436	D+M	170316	DN20 PTFE	246578
203620	49	216436	D+M	170316	DN20 PTFE	246578
203621	49	216436	D+M	170318	DN25 PTFE	246578
203622	49	216436	D+M	170318	DN25 PTFE	246578
203623	49	216438	N	226945	DN40 PTFE	246593
203624	49	216438	N	226948	DN50 PTFE	246594
203625	49	216436	D+M	170315	DN13 PTFE	246577
203626	49	216436	D+M	170315	DN13 PTFE	246577
203627	49	216436	D+M	170316	DN20 PTFE	246578
203628	49	216436	D+M	170316	DN20 PTFE	246578
203629	49	216436	D+M	170318	DN25 PTFE	246578
203630	49	216436	D+M	170318	DN25 PTFE	246578
203631	49	216438	N	226945	DN40 PTFE	246593
203632	49	216438	N	226948	DN50 PTFE	246594
203633	49	216436	D+M	170315	DN13 PTFE	246577
203636	49	216436	D+M	170316	DN20 PTFE	246578
203638	49	216436	D+M	170318	DN25 PTFE	246578
203639	49	216438	N	226945	DN40 PTFE	246593
203640	49	216438	N	226948	DN50 PTFE	246594
203641	49	216436	D+M	170315	DN13 PTFE	246577
203643	49	216436	D+M	170316	DN20 PTFE	246578
203645	49	216436	D+M	170318	DN25 PTFE	246578
203647	49	216438	N	226945	DN40 PTFE	246593
203648	49	216438	N	226948	DN50 PTFE	246594
203649	49	216436	D+M	170315	DN13 PTFE	246577
203650	49	216436	D+M	170315	DN13 PTFE	246577
203651	49	216436	D+M	170316	DN20 PTFE	246578
203652	49	216436	D+M	170316	DN20 PTFE	246578
203653	49	216436	D+M	170318	DN25 PTFE	246578
203654	49	216436	D+M	170318	DN25 PTFE	246578
203655	49	216436	D+M	170319	DN32 PTFE	246582
203656	49	216438	N	226945	DN40 PTFE	246593
203657	49	216438	N	226948	DN50 PTFE	246594
203658	49	216436	D+M	170315	DN13 PTFE	246577
203659	49	216436	D+M	170315	DN13 PTFE	246577
203660	49	216436	D+M	170316	DN20 PTFE	246578
203661	49	216436	D+M	170316	DN20 PTFE	246578
203662	49	216436	D+M	170318	DN25 PTFE	246578
203663	49	216436	D+M	170318	DN25 PTFE	246578
203664	49	216436	D+M	170319	DN32 PTFE	246582
203665	49	216438	N	226945	DN40 PTFE	246593
203666	49	216438	N	226948	DN50 PTFE	246594
203667	49	216436	D+M	170315	DN13 PTFE	246577
203668	49	216436	D+M	170315	DN13 PTFE	246577
203669	49	216436	D+M	170316	DN20 PTFE	246578
203670	49	216436	D+M	170316	DN20 PTFE	246578
203671	49	216436	D+M	170318	DN25 PTFE	246578
203672	49	216436	D+M	170318	DN25 PTFE	246578
203673	49	216438	N	226945	DN40 PTFE	246593
203674	49	216438	N	226948	DN50 PTFE	246594
203675	49	216436	D+M	170315	DN13 PTFE	246577
203677	49	216436	D+M	170315	DN13 PTFE	246577



2/2 way angle-seat control valve with stainless steel design

Ordering Chart

Article no. Complete unit	Diagram no.	Pos. 1 Seal set, actuator		Pos. 2 Control cone set, process valve		Pos. 4 Stainless steel spindle guide
		Order no.	Actuator size	Order no.	Orifice / Material	
203678	49	216436	D+M	170316	DN20 PTFE	246578
203679	49	216436	D+M	170316	DN20 PTFE	246578
203680	49	216436	D+M	170318	DN25 PTFE	246578
203681	49	216436	D+M	170318	DN25 PTFE	246578
203682	49	216438	N	226945	DN40 PTFE	246593
203683	49	216438	N	226948	DN50 PTFE	246594
206230	49	216438	N	225426	DN50 StSt	246594
206239	49	216438	N	225426	DN50 StSt	246594
206249	49	216438	N	225426	DN50 StSt	246594
206250	49	216436	D+M	170322	DN15 StSt	246577
206252	49	216436	D+M	170322	DN15 StSt	246577
206253	49	216436	D+M	170323	DN20 StSt	246578
206254	49	216436	D+M	170323	DN20 StSt	246578
206255	49	216436	D+M	170324	DN25 StSt	246578
206256	49	216436	D+M	170324	DN25 StSt	246578
206257	49	216436	D+M	170325	DN32 StSt	246582
206258	49	216438	N	225423	DN40 StSt	246593
206259	49	216438	N	225426	DN50 StSt	246594
213697	49	216438	N	226948	DN50 PTFE	246594
213699	49	216438	N	226948	DN50 PTFE	246594
213700	49	216438	N	226948	DN50 PTFE	246594
213701	49	216438	N	226948	DN50 PTFE	246594
213702	49	216438	N	226948	DN50 PTFE	246594
213703	49	216438	N	226948	DN50 PTFE	246594
213704	49	216438	N	226948	DN50 PTFE	246594
213706	49	216438	N	226948	DN50 PTFE	246594
213707	49	216438	N	226948	DN50 PTFE	246594
213708	49	216438	N	225426	DN50 StSt	246594
213709	49	216438	N	225426	DN50 StSt	246594
213710	49	216438	N	225426	DN50 StSt	246594
213711	49	216438	N	225426	DN50 StSt	246594
213712	49	216436	D+M	170315	DN13 PTFE	246577
213713	49	216436	D+M	170315	DN13 PTFE	246577
213714	49	216436	D+M	170316	DN20 PTFE	246578
213715	49	216436	D+M	170316	DN20 PTFE	246578
213716	49	216436	D+M	170318	DN25 PTFE	246578
213718	49	216436	D+M	170318	DN25 PTFE	246578
213719	49	216436	D+M	170319	DN32 PTFE	246582
213720	49	216438	N	226945	DN40 PTFE	246593
213721	49	216436	D+M	170315	DN13 PTFE	246577
213722	49	216436	D+M	170315	DN13 PTFE	246577
213723	49	216436	D+M	170316	DN20 PTFE	246578
213724	49	216436	D+M	170316	DN20 PTFE	246578
213725	49	216436	D+M	170318	DN25 PTFE	246578
213726	49	216436	D+M	170318	DN25 PTFE	246578
213727	49	216436	D+M	170319	DN32 PTFE	246582
213728	49	216438	N	226945	DN40 PTFE	246593
213729	49	216436	D+M	170315	DN13 PTFE	246577
213730	49	216436	D+M	170315	DN13 PTFE	246577
213731	49	216436	D+M	170316	DN20 PTFE	246578
213732	49	216436	D+M	170316	DN20 PTFE	246578
213733	49	216436	D+M	170318	DN25 PTFE	246578
213734	49	216436	D+M	170318	DN25 PTFE	246578
213736	49	216436	D+M	170319	DN32 PTFE	246582
213737	49	216438	N	226945	DN40 PTFE	246593
213738	49	216436	D+M	170315	DN13 PTFE	246577



2/2 way angle-seat control valve with stainless steel design

Ordering Chart

Article no. Complete unit	Diagram no.	Pos. 1 Seal set, actuator		Pos. 2 Control cone set, process valve		Pos. 4 Stainless steel spindle guide
		Order no.	Actuator size	Order no.	Orifice / Material	
213739	49	216436	D+M	170315	DN13 PTFE	246577
213740	49	216436	D+M	170316	DN20 PTFE	246578
213741	49	216436	D+M	170316	DN20 PTFE	246578
213742	49	216436	D+M	170318	DN25 PTFE	246578
213743	49	216436	D+M	170318	DN25 PTFE	246578
213744	49	216436	D+M	170319	DN32 PTFE	246582
213745	49	216438	N	226945	DN40 PTFE	246593
213746	49	216436	D+M	170315	DN13 PTFE	246577
213747	49	216436	D+M	170315	DN13 PTFE	246577
213748	49	216436	D+M	170316	DN20 PTFE	246578
213749	49	216436	D+M	170316	DN20 PTFE	246578
213750	49	216436	D+M	170318	DN25 PTFE	246578
213751	49	216436	D+M	170318	DN25 PTFE	246578
213752	49	216436	D+M	170319	DN32 PTFE	246582
213753	49	216438	N	226945	DN40 PTFE	246593
213755	49	216436	D+M	170315	DN13 PTFE	246577
213756	49	216436	D+M	170315	DN13 PTFE	246577
213757	49	216436	D+M	170316	DN20 PTFE	246578
213758	49	216436	D+M	170316	DN20 PTFE	246578
213759	49	216436	D+M	170318	DN25 PTFE	246578
213760	49	216436	D+M	170318	DN25 PTFE	246578
213761	49	216436	D+M	170319	DN32 PTFE	246582
213762	49	216438	N	226945	DN40 PTFE	246593
213763	49	216436	D+M	170322	DN15 StSt	246577
213764	49	216436	D+M	170322	DN15 StSt	246577
213765	49	216436	D+M	170323	DN20 StSt	246578
213766	49	216436	D+M	170323	DN20 StSt	246578
213767	49	216436	D+M	170324	DN25 StSt	246578
213768	49	216436	D+M	170324	DN25 StSt	246578
213769	49	216436	D+M	170325	DN32 StSt	246582
213770	49	216438	N	225423	DN40 StSt	246593
213771	49	216436	D+M	170322	DN15 StSt	246577
213772	49	216436	D+M	170322	DN15 StSt	246577
213773	49	216436	D+M	170323	DN20 StSt	246578
213774	49	216436	D+M	170323	DN20 StSt	246578
213775	49	216436	D+M	170324	DN25 StSt	246578
213776	49	216436	D+M	170324	DN25 StSt	246578
213777	49	216436	D+M	170325	DN32 StSt	246582
213778	49	216438	N	225423	DN40 StSt	246593
213779	49	216436	D+M	170322	DN15 StSt	246577
213780	49	216436	D+M	170322	DN15 StSt	246577
213781	49	216436	D+M	170323	DN20 StSt	246578
213782	49	216436	D+M	170323	DN20 StSt	246578
213783	49	216436	D+M	170324	DN25 StSt	246578
213784	49	216436	D+M	170324	DN25 StSt	246578
213785	49	216436	D+M	170325	DN32 StSt	246582
213786	49	216438	N	225423	DN40 StSt	246593
223299	49	216438	N	226945	DN40 PTFE	246593
223300	49	216438	N	226945	DN40 PTFE	246593
223301	49	216438	N	226945	DN40 PTFE	246593
223302	49	216438	N	226945	DN40 PTFE	246593
223303	49	216438	N	226945	DN40 PTFE	246593
223304	49	216438	N	226945	DN40 PTFE	246593
223305	49	216438	N	226945	DN40 PTFE	246593
223306	49	216438	N	225423	DN40 StSt	246593
223307	49	216438	N	226945	DN40 PTFE	246593
223308	49	216438	N	226945	DN40 PTFE	246593



2/2 way angle-seat control valve with stainless steel design

Ordering Chart

Article no. Complete unit	Diagram no.	Pos. 1 Seal set, actuator		Pos. 2 Control cone set, process valve		Pos. 4 Stainless steel spindle guide
		Order no.	Actuator size	Order no.	Orifice / Material	
223309	49	216438	N	226945	DN40 PTFE	246593
223310	49	216438	N	225423	DN40 StSt	246593
223311	49	216438	N	225423	DN40 StSt	246593
223312	49	216438	N	225423	DN40 StSt	246593
223313	49	216436	D+M	170322	DN15 StSt	246577
223314	49	216436	D+M	170322	DN15 StSt	246577
223315	49	216436	D+M	170323	DN20 StSt	246578
223316	49	216436	D+M	170323	DN20 StSt	246578
223317	49	216436	D+M	170324	DN25 StSt	246578
223319	49	216436	D+M	170325	DN32 StSt	246582
223320	49	216438	N	225423	DN40 StSt	246593
223321	49	216438	N	225426	DN50 StSt	246594
223322	49	216436	D+M	170322	DN15 StSt	246577
223323	49	216436	D+M	170322	DN15 StSt	246577
223324	49	216436	D+M	170323	DN20 StSt	246578
223325	49	216436	D+M	170323	DN20 StSt	246578
223326	49	216436	D+M	170324	DN25 StSt	246578
223327	49	216436	D+M	170324	DN25 StSt	246578
223328	49	216436	D+M	170325	DN32 StSt	246582
223329	49	216438	N	225423	DN40 StSt	246593
223330	49	216438	N	225426	DN50 StSt	246594
223331	49	216436	D+M	170322	DN15 StSt	246577
223332	49	216436	D+M	170322	DN15 StSt	246577
223333	49	216436	D+M	170323	DN20 StSt	246578
223334	49	216436	D+M	170323	DN20 StSt	246578
223335	49	216436	D+M	170324	DN25 StSt	246578
223336	49	216436	D+M	170324	DN25 StSt	246578
223337	49	216436	D+M	170325	DN32 StSt	246582
223338	49	216438	N	225423	DN40 StSt	246593
223339	49	216438	N	225426	DN50 StSt	246594
223340	49	216436	D+M	170322	DN15 StSt	246577
223341	49	216436	D+M	170322	DN15 StSt	246577
223342	49	216436	D+M	170323	DN20 StSt	246578
223343	49	216436	D+M	170323	DN20 StSt	246578
223344	49	216436	D+M	170324	DN25 StSt	246578
223345	49	216436	D+M	170324	DN25 StSt	246578
223346	49	216436	D+M	170325	DN32 StSt	246582
223347	49	216438	N	225423	DN40 StSt	246593
223348	49	216438	N	225426	DN50 StSt	246594
223349	49	216436	D+M	170322	DN15 StSt	246577
223350	49	216436	D+M	170322	DN15 StSt	246577
223351	49	216436	D+M	170323	DN20 StSt	246578
223352	49	216436	D+M	170323	DN20 StSt	246578
223353	49	216436	D+M	170324	DN25 StSt	246578
223354	49	216436	D+M	170324	DN25 StSt	246578
223355	49	216436	D+M	170325	DN32 StSt	246582
223356	49	216438	N	225423	DN40 StSt	246593
223357	49	216438	N	225423	DN40 StSt	246593
223358	49	216438	N	225426	DN50 StSt	246594
223359	49	216438	N	225426	DN50 StSt	246594
223360	49	216436	D+M	170322	DN15 StSt	246577
223361	49	216436	D+M	170322	DN15 StSt	246577
223362	49	216436	D+M	170323	DN20 StSt	246578
223363	49	216436	D+M	170323	DN20 StSt	246578
223364	49	216436	D+M	170324	DN25 StSt	246578
223365	49	216436	D+M	170324	DN25 StSt	246578

Ordering Chart

Article no. Complete unit	Diagram no.	Pos. 1 Seal set, actuator		Pos. 2 Control cone set, process valve		Pos. 4 Stainless steel spindle guide
		Order no.	Actuator size	Order no.	Orifice / Material	
223366	49	216436	D+M	170325	DN32 StSt	246582
223367	49	216438	N	225423	DN40 StSt	246593
223368	49	216438	N	225426	DN50 StSt	246594
223369	49	216436	D+M	170322	DN15 StSt	246577
223370	49	216436	D+M	170322	DN15 StSt	246577
223371	49	216436	D+M	170323	DN20 StSt	246578
223372	49	216436	D+M	170323	DN20 StSt	246578
223373	49	216436	D+M	170324	DN25 StSt	246578
223374	49	216436	D+M	170324	DN25 StSt	246578
223375	49	216438	N	225423	DN40 StSt	246593
223376	49	216438	N	225423	DN40 StSt	246593
223377	49	216438	N	225426	DN50 StSt	246594
223378	49	216438	N	225426	DN50 StSt	246594
223379	49	216436	D+M	170322	DN15 StSt	246577
223380	49	216436	D+M	170322	DN15 StSt	246577
223381	49	216436	D+M	170323	DN20 StSt	246578
223382	49	216436	D+M	170323	DN20 StSt	246578
223383	49	216436	D+M	170324	DN25 StSt	246578
223384	49	216436	D+M	170324	DN25 StSt	246578
223385	49	216438	N	225423	DN40 StSt	246593
223386	49	216438	N	225426	DN50 StSt	246594
223387	49	216436	D+M	170322	DN15 StSt	246577
223388	49	216436	D+M	170322	DN15 StSt	246577
223389	49	216436	D+M	170323	DN20 StSt	246578
223390	49	216436	D+M	170323	DN20 StSt	246578
223391	49	216436	D+M	170324	DN25 StSt	246578
223392	49	216436	D+M	170324	DN25 StSt	246578
223393	49	216438	N	225423	DN40 StSt	246593
223394	49	216438	N	225423	DN40 StSt	246593
223395	49	216438	N	225426	DN50 StSt	246594
223396	49	216438	N	225426	DN50 StSt	246594
223397	49	216436	D+M	170322	DN15 StSt	246577
223398	49	216436	D+M	170322	DN15 StSt	246577
223399	49	216436	D+M	170323	DN20 StSt	246578
223400	49	216436	D+M	170323	DN20 StSt	246578
223401	49	216436	D+M	170324	DN25 StSt	246578
223402	49	216436	D+M	170324	DN25 StSt	246578
223403	49	216438	N	225423	DN40 StSt	246593
223404	49	216438	N	225426	DN50 StSt	246594
223423	49	216436	D+M	170322	DN15 StSt	246577
223424	49	216436	D+M	170322	DN15 StSt	246577
223425	49	216436	D+M	170323	DN20 StSt	246578
223426	49	216436	D+M	170323	DN20 StSt	246578
223427	49	216436	D+M	170324	DN25 StSt	246578
223428	49	216436	D+M	170324	DN25 StSt	246578
223429	49	216436	D+M	170325	DN32 StSt	246582
223430	49	216438	N	225423	DN40 StSt	246593
223431	49	216438	N	225423	DN40 StSt	246593
223433	49	216438	N	225426	DN50 StSt	246594
223434	49	216438	N	225426	DN50 StSt	246594
223435	49	216436	D+M	170322	DN15 StSt	246577
223436	49	216436	D+M	170322	DN15 StSt	246577
223437	49	216436	D+M	170323	DN20 StSt	246578
223438	49	216436	D+M	170323	DN20 StSt	246578
223439	49	216436	D+M	170324	DN25 StSt	246578
223440	49	216436	D+M	170324	DN25 StSt	246578

2/2 way angle-seat control valve with stainless steel design



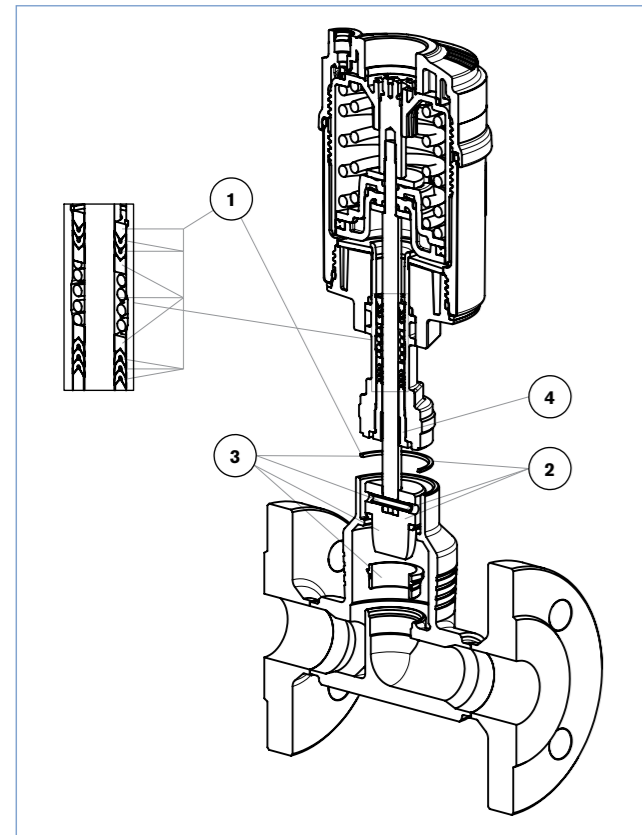
Ordering Chart

Article no. Complete unit	Diagram no.	Pos. 1 Seal set, actuator		Pos. 2 Control cone set, process valve		Pos. 4 Stainless steel spindle guide
		Order no.	Actuator size	Order no.	Orifice / Material	
223441	49	216436	D+M	170325	DN32 StSt	246582
223442	49	216438	N	225423	DN40 StSt	246593
223443	49	216438	N	225426	DN50 StSt	246594
223444	49	216436	D+M	170322	DN15 StSt	246577
223445	49	216436	D+M	170322	DN15 StSt	246577
223446	49	216436	D+M	170323	DN20 StSt	246578
223447	49	216436	D+M	170323	DN20 StSt	246578
223448	49	216436	D+M	170324	DN25 StSt	246578
223449	49	216436	D+M	170324	DN25 StSt	246578
223450	49	216438	N	225423	DN40 StSt	246593
223451	49	216438	N	225423	DN40 StSt	246593
223452	49	216438	N	225426	DN50 StSt	246594
223453	49	216438	N	225426	DN50 StSt	246594
223454	49	216436	D+M	170322	DN15 StSt	246577
223455	49	216436	D+M	170322	DN15 StSt	246577
223456	49	216436	D+M	170323	DN20 StSt	246578
223457	49	216436	D+M	170323	DN20 StSt	246578
223458	49	216436	D+M	170324	DN25 StSt	246578
223459	49	216436	D+M	170324	DN25 StSt	246578
223460	49	216438	N	225423	DN40 StSt	246593
223461	49	216438	N	225426	DN50 StSt	246594



2/2 way globe control valve with stainless steel design

Diagram 50



Ordering Chart

Article no. Complete unit	Diagram no.	Pos. 1 Seal set, actuator		Pos. 2 Control cone set, process valve		Pos. 3 Control fittings, process valve		Pos. 4 Spindle version
		Order no.	Actuator size	Order no.	Seat orifice / Material	Order no.	Seat orifice / Material	Order no.
204930	50	216436	D+M	149943	DN15 PTFE	150049	DN15 PTFE	246577
204932	50	216436	D+M	149943	DN15 PTFE	150049	DN15 PTFE	246577
204933	50	216436	D+M	149946	DN20 PTFE	150052	DN20 PTFE	246578
204935	50	216436	D+M	149946	DN20 PTFE	150052	DN20 PTFE	246578
204936	50	216436	D+M	149949	DN25 PTFE	150055	DN25 PTFE	246578
204937	50	216436	D+M	149949	DN25 PTFE	150055	DN25 PTFE	246578
204939	50	216438	N	226965	DN32 PTFE	227039	DN32 PTFE	246583
204941	50	216438	N	226968	DN40 PTFE	227042	DN40 PTFE	246593
204942	50	216438	N	226971	DN50 PTFE	227045	DN50 PTFE	246593
204943	50	216436	D+M	149943	DN15 PTFE	150049	DN15 PTFE	246577
204944	50	216436	D+M	149943	DN15 PTFE	150049	DN15 PTFE	246577
204945	50	216436	D+M	149946	DN20 PTFE	150052	DN20 PTFE	246578
204946	50	216436	D+M	149946	DN20 PTFE	150052	DN20 PTFE	246578
204947	50	216436	D+M	149949	DN25 PTFE	150055	DN25 PTFE	246578
204948	50	216436	D+M	149949	DN25 PTFE	150055	DN25 PTFE	246578
204950	50	216438	N	226968	DN40 PTFE	227042	DN40 PTFE	246593
204951	50	216438	N	226971	DN50 PTFE	227045	DN50 PTFE	246593
204952	50	216436	D+M	149943	DN15 PTFE	150049	DN15 PTFE	246577
204953	50	216436	D+M	149943	DN15 PTFE	150049	DN15 PTFE	246577
204954	50	216436	D+M	149946	DN20 PTFE	150052	DN20 PTFE	246578
204955	50	216436	D+M	149946	DN20 PTFE	150052	DN20 PTFE	246578
204956	50	216436	D+M	149949	DN25 PTFE	150055	DN25 PTFE	246578
204957	50	216436	D+M	149949	DN25 PTFE	150055	DN25 PTFE	246578
204959	50	216438	N	226968	DN40 PTFE	227042	DN40 PTFE	246593
204960	50	216438	N	226971	DN50 PTFE	227045	DN50 PTFE	246593
205007	50	216436	D+M	149915	DN15 SiSt	150015	DN15 SiSt	246577
205010	50	216436	D+M	149915	DN15 SiSt	150015	DN15 SiSt	246577
205011	50	216436	D+M	149918	DN20 SiSt	150018	DN20 SiSt	246578
205012	50	216436	D+M	149918	DN20 SiSt	150018	DN20 SiSt	246578
205013	50	216436	D+M	149953	DN25 SiSt	150021	DN25 SiSt	246578
205014	50	216436	D+M	149953	DN25 SiSt	150021	DN25 SiSt	246578
205016	50	216438	N	226953	DN32 SiSt	227027	DN32 SiSt	246583
205018	50	216438	N	226956	DN40 SiSt	227030	DN40 SiSt	246593
205019	50	216438	N	226959	DN50 SiSt	227033	DN50 SiSt	246593
205020	50	216436	D+M	149915	DN15 SiSt	150015	DN15 SiSt	246577
205021	50	216436	D+M	149915	DN15 SiSt	150015	DN15 SiSt	246577
205022	50	216436	D+M	149918	DN20 SiSt	150018	DN20 SiSt	246578
205023	50	216436	D+M	149918	DN20 SiSt	150018	DN20 SiSt	246578
205024	50	216436	D+M	149953	DN25 SiSt	150021	DN25 SiSt	246578
205025	50	216436	D+M	149953	DN25 SiSt	150021	DN25 SiSt	246578
205027	50	216438	N	226956	DN40 SiSt	227030	DN40 SiSt	246593
205028	50	216438	N	226959	DN50 SiSt	227033	DN50 SiSt	246593
205029	50	216436	D+M	149915	DN15 SiSt	150015	DN15 SiSt	246577
205030	50	216436	D+M	149915	DN15 SiSt	150015	DN15 SiSt	246577
205031	50	216436	D+M	149918	DN20 SiSt	150018	DN20 SiSt	246578
205032	50	216436	D+M	149918	DN20 SiSt	150018	DN20 SiSt	246578
205033	50	216436	D+M	149953	DN25 SiSt	150021	DN25 SiSt	246578
205034	50	216436	D+M	149953	DN25 SiSt	150021	DN25 SiSt	246578
205037	50	216438	N	226956	DN40 SiSt	227030	DN40 SiSt	246593
205038	50	216438	N	226959	DN50 SiSt	227033	DN50 SiSt	246593
208555	50	216436	D+M	149916	DN15 SiSt	150016	DN15 SiSt	246578
209089	50	216436	D+M	149953	DN25 SiSt	150021	DN25 SiSt	246578
209110	50	216438	N	226956	DN40 SiSt	227030	DN40 SiSt	246593
209172	50	216436	D+M	149915	DN15 SiSt	150015	DN15 SiSt	246577
209173	50	216436	D+M	149915	DN15 SiSt	150015	DN15 SiSt	246577
209175	50	216436	D+M	149918	DN20 SiSt	150018	DN20 SiSt	246578
209181	50	216438	N	226953	DN32 SiSt	227027	DN32 SiSt	246583

Ordering Chart

Article no. Complete unit	Diagram no.	Pos. 1 Seal set, actuator		Pos. 2 Control cone set, process valve		Pos. 3 Control fittings, process valve		Pos. 4 Spindle version
		Order no.	Actuator size	Order no.	Seat orifice / Material	Order no.	Seat orifice / Material	Order no.
209185	50	216438	N	226959	DN50 SiSt	227033	DN50 SiSt	246593
209384	50	216436	D+M	149949	DN25 PTFE	150055	DN25 PTFE	246578
209440	50	216438	N	226968	DN40 PTFE	227042	DN40 PTFE	246593
209571	50	216436	D+M	149943	DN15 PTFE	150049	DN15 PTFE	246577
209572	50	216436	D+M	149949	DN25 PTFE	150055	DN25 PTFE	246578
210446	50	216438	N	226952	DN25 SiSt	227026	DN25 SiSt	246583
210529	50	216436	D+M	149934	DN4 SiSt	150011	DN4 SiSt	246577
210530	50	216436	D+M	149965	DN10 PTFE	150048	DN10 PTFE	246578
210696	50	216436	D+M	149918	DN20 SiSt	150018	DN20 SiSt	246578
210756	50	216438	N	226970	DN40 PTFE	227044	DN40 PTFE	246593
211415	50	216436	D+M	149914	DN10 SiSt	150014	DN10 SiSt	246578
211654	50	216438	N	226957	DN32 SiSt	227031	DN32 SiSt	246583
211937	50	216436	D+M	149946	DN20 PTFE	150052	DN20 PTFE	246578
211946	50	216436	D+M	149943	DN15 PTFE	150049	DN15 PTFE	246577
211953	50	216436	D+M	149918	DN20 SiSt	150018	DN20 SiSt	246578
211965	50	216438	N	226965	DN32 PTFE	227039	DN32 PTFE	246583
211967	50	216438	N	226968	DN40 PTFE	227042	DN40 PTFE	246593
211968	50	216438	N	226971	DN50 PTFE	227045	DN50 PTFE	246593
212392	50	216436	D+M	149962	DN8 PTFE	150046	DN8 PTFE	246577
212393	50	216436	D+M	149963	DN10 PTFE	150047	DN10 PTFE	246577
212721	50	216436	D+M	149917	DN15 SiSt	150017	DN15 SiSt	246578
212844	50	216436	D+M	149953	DN25 SiSt	150021	DN25 SiSt	246578
213177	50	216438	N	226965	DN32 PTFE	227039	DN32 PTFE	246583
213178	50	216438	N	226953	DN32 SiSt	227027	DN32 SiSt	246583
213200	50	216436	D+M	149935	DN8 SiSt	150012	DN8 SiSt	246577
213213	50	216436	D+M	149935	DN8 SiSt	150012	DN8 SiSt	246577
213411	50	216438	N	226958	DN40 SiSt	227032	DN40 SiSt	246593
213412	50	216436	D+M	149945	DN15 PTFE	150051	DN15 PTFE	246578
213487	50	216438	N	226955	DN32 SiSt	227029	DN32 SiSt	246593
213561	50	216438	N	226958	DN40 SiSt	227032	DN40 SiSt	246593
213911	50	216436	D+M	149912	DN10 SiSt	150013	DN10 SiSt	246577
213913	50	216436	D+M	149963	DN10 PTFE	150047	DN10 PTFE	246577
213914	50	216436	D+M	149951	DN20 SiSt	150019	DN20 SiSt	246578
213930	50	216436	D+M	149947	DN20 PTFE	150053	DN20 PTFE	246578
213931	50	216438	N	226955	DN32 SiSt	227029	DN32 SiSt	246593
213932	50	216438	N	226967	DN32 PTFE	227041	DN32 PTFE	246593
213933	50	216436	D+M	149916	DN15 SiSt	150016	DN15 SiSt	246578
213936	50	216436	D+M	149944	DN15 PTFE	150050	DN15 PTFE	246578
213937	50	216438	N	226952	DN25 SiSt	227026	DN25 SiSt	246583
213939	50	216438	N	226964	DN25 PTFE	227038	DN25 PTFE	246583
213940	50	216438	N	226958	DN40 SiSt	227032	DN40 SiSt	246593
213941	50	216438	N	226970	DN40 PTFE	227044	DN40 PTFE	246593
213984	50	216436	D+M	149962	DN8 PTFE	150046	DN8 PTFE	246577
213985	50	216436	D+M	149962	DN8 PTFE	150046	DN8 PTFE	246577
213986	50	216436	D+M	149962	DN8 PTFE	150046	DN8 PTFE	246577
213987	50	216436	D+M	149962	DN8 PTFE	150046	DN8 PTFE	246577
213988	50	216436	D+M	149963	DN10 PTFE	150047	DN10 PTFE	246577
213989	50	216436	D+M	149963	DN10 PTFE	150047	DN10 PTFE	246577
213990	50	216436	D+M	149963	DN10 PTFE	150047	DN10 PTFE	246577
213991	50	216436	D+M	149963	DN10 PTFE	150047	DN10 PTFE	246577
213992	50	216436	D+M	149965	DN10 PTFE	150048	DN10 PTFE	246578
213993	50	216436	D+M	149944	DN15 PTFE	150050	DN15 PTFE	246578
213994	50	216436	D+M	149945	DN15 PTFE	150051	DN15 PTFE	246578
213995	50	216436	D+M	149947	DN20 PTFE	150053	DN20 PTFE	246578
213996	50	216438	N	226963	DN20 PTFE	227037	DN20 PTFE	246583
213997	50	216438	N	226964	DN25 PTFE	227038	DN25 PTFE	246583
213998	50	216438	N	226966	DN25 PTFE	227040	DN25 PTFE	246593



2/2 way globe control valve with stainless steel design



2/2 way globe control valve with stainless steel design

Ordering Chart

Article no. Complete unit	Diagram no.	Pos. 1 Seal set, actuator		Pos. 2 Control cone set, process valve		Pos. 3 Control fittings, process valve		Pos. 4 Spindle version
		Order no.	Actuator size	Order no.	Seat orifice / Material	Order no.	Seat orifice / Material	Order no.
213999	50	216438	N	226967	DN32 PTFE	227041	DN32 PTFE	246593
214000	50	216438	N	226969	DN32 PTFE	227043	DN32 PTFE	246593
214001	50	216438	N	226970	DN40 PTFE	227044	DN40 PTFE	246593
214003	50	216438	N	226971	DN50 PTFE	227045	DN50 PTFE	246593
214006	50	216436	D+M	149962	DN8 PTFE	150046	DN8 PTFE	246577
214007	50	216436	D+M	149963	DN10 PTFE	150047	DN10 PTFE	246577
214008	50	216436	D+M	149965	DN10 PTFE	150048	DN10 PTFE	246578
214009	50	216436	D+M	149944	DN15 PTFE	150050	DN15 PTFE	246578
214010	50	216436	D+M	149945	DN15 PTFE	150051	DN15 PTFE	246578
214011	50	216436	D+M	149947	DN20 PTFE	150053	DN20 PTFE	246578
214012	50	216438	N	226966	DN25 PTFE	227040	DN25 PTFE	246593
214013	50	216438	N	226970	DN40 PTFE	227044	DN40 PTFE	246593
214015	50	216438	N	226971	DN50 PTFE	227045	DN50 PTFE	246593
214017	50	216436	D+M	149962	DN8 PTFE	150046	DN8 PTFE	246577
214018	50	216436	D+M	149963	DN10 PTFE	150047	DN10 PTFE	246577
214019	50	216436	D+M	149965	DN10 PTFE	150048	DN10 PTFE	246578
214020	50	216436	D+M	149945	DN15 PTFE	150051	DN15 PTFE	246578
214021	50	216438	N	226966	DN25 PTFE	227040	DN25 PTFE	246593
214023	50	216438	N	226971	DN50 PTFE	227045	DN50 PTFE	246593
214025	50	216436	D+M	149934	DN4 StSt	150011	DN4 StSt	246577
214026	50	216436	D+M	152696	DN6 StSt	152695	DN6 StSt	246577
214027	50	216436	D+M	149935	DN8 StSt	150012	DN8 StSt	246577
214028	50	216436	D+M	149912	DN10 StSt	150013	DN10 StSt	246577
214029	50	216436	D+M	149914	DN10 StSt	150014	DN10 StSt	246578
214030	50	216436	D+M	149916	DN15 StSt	150016	DN15 StSt	246578
214031	50	216436	D+M	149917	DN15 StSt	150017	DN15 StSt	246578
214032	50	216436	D+M	149951	DN20 StSt	150019	DN20 StSt	246578
214033	50	216438	N	226951	DN20 StSt	227025	DN20 StSt	246583
214034	50	216438	N	226954	DN25 StSt	227028	DN25 StSt	246593
214035	50	216438	N	226955	DN32 StSt	227029	DN32 StSt	246593
214036	50	216438	N	226957	DN32 StSt	227031	DN32 StSt	246593
214037	50	216438	N	226958	DN40 StSt	227032	DN40 StSt	246593
214039	50	216438	N	226959	DN50 StSt	227033	DN50 StSt	246593
214041	50	216436	D+M	149934	DN4 StSt	150011	DN4 StSt	246577
214042	50	216436	D+M	152696	DN6 StSt	152695	DN6 StSt	246577
214043	50	216436	D+M	149935	DN8 StSt	150012	DN8 StSt	246577
214044	50	216436	D+M	149912	DN10 StSt	150013	DN10 StSt	246577
214045	50	216436	D+M	149914	DN10 StSt	150014	DN10 StSt	246578
214046	50	216436	D+M	149916	DN15 StSt	150016	DN15 StSt	246578
214047	50	216436	D+M	149917	DN15 StSt	150017	DN15 StSt	246578
214048	50	216436	D+M	149951	DN25 StSt	150019	DN25 StSt	246578
214049	50	216438	N	226954	DN25 StSt	227028	DN25 StSt	246593
214050	50	216438	N	226958	DN40 StSt	227032	DN40 StSt	246593
214052	50	216438	N	226959	DN50 StSt	227033	DN50 StSt	246593
214054	50	216436	D+M	149934	DN4 StSt	150011	DN4 StSt	246577
214055	50	216436	D+M	152696	DN6 StSt	152695	DN6 StSt	246577
214056	50	216436	D+M	149912	DN10 StSt	150013	DN10 StSt	246577
214057	50	216436	D+M	149914	DN10 StSt	150014	DN10 StSt	246578
214059	50	216436	D+M	149917	DN15 StSt	150017	DN15 StSt	246578
214060	50	216438	N	226954	DN25 StSt	227028	DN25 StSt	246593
214062	50	216438	N	226959	DN50 StSt	227033	DN50 StSt	246593
214090	50	216436	D+M	149962	DN8 PTFE	150046	DN8 PTFE	246577
214091	50	216436	D+M	149963	DN10 PTFE	150047	DN10 PTFE	246577
214092	50	216436	D+M	149965	DN10 PTFE	150048	DN10 PTFE	246578
214093	50	216436	D+M	149943	DN15 PTFE	150049	DN15 PTFE	246577
214094	50	216436	D+M	149944	DN15 PTFE	150050	DN15 PTFE	246578
214095	50	216436	D+M	149946	DN20 PTFE	150052	DN20 PTFE	246578

Note: see corresponding manuals on www.burkert.com under the field, documentation manuals.



2/2 way globe control valve with stainless steel design

Ordering Chart

Article no. Complete unit	Diagram no.	Pos. 1 Seal set, actuator		Pos. 2 Control cone set, process valve		Pos. 3 Control fittings, process valve		Pos. 4 Spindle version
		Order no.	Actuator size	Order no.	Seat orifice / Material	Order no.	Seat orifice / Material	Order no.
214096	50	216436	D+M	149946	DN20 PTFE	150052	DN20 PTFE	246578
214097	50	216436	D+M	149947	DN20 PTFE	150053	DN20 PTFE	246578
214098	50	216438	N	226963	DN20 PTFE	227037	DN20 PTFE	246583
214100	50	216436	D+M	149949	DN25 PTFE	150055	DN25 PTFE	246578
214101	50	216438	N	226964	DN25 PTFE	227038	DN25 PTFE	246583
214102	50	216438	N	226966	DN25 PTFE	227040	DN25 PTFE	246593
214103	50	216438	N	226965	DN32 PTFE	227039	DN32 PTFE	246583
214104	50	216438	N	226967	DN32 PTFE	227041	DN32 PTFE	246593
214105	50	216438	N	226969	DN32 PTFE	227043	DN32 PTFE	246593
214107	50	216438	N	226971	DN50 PTFE	227045	DN50 PTFE	246593
214108	50	216438	N	226971	DN50 PTFE	227045	DN50 PTFE	246593
214110	50	216436	D+M	149962	DN8 PTFE	150046	DN8 PTFE	246577
214111	50	216436	D+M	149963	DN10 PTFE	150047	DN10 PTFE	246577
214112	50	216436	D+M	149965	DN10 PTFE	150048	DN10 PTFE	246578
214113	50	216436	D+M	149944	DN15 PTFE	150050	DN15 PTFE	246578
214114	50	216436	D+M	149945	DN15 PTFE	150051	DN15 PTFE	246578
214115	50	216436	D+M	149946	DN20 PTFE	150052	DN20 PTFE	246578
214116	50	216436	D+M	149947	DN20 PTFE	150053	DN20 PTFE	246578
214117	50	216438	N	226963	DN20 PTFE	227037	DN20 PTFE	246583
214118	50	216436	D+M	149949	DN25 PTFE	150055	DN25 PTFE	246578
214119	50	216438	N	226964	DN25 PTFE	227038	DN25 PTFE	246583
214120	50	216438	N	226966	DN25 PTFE	227040	DN25 PTFE	246593
214121	50	216438	N	226967	DN32 PTFE	227041	DN32 PTFE	246593
214122	50	216438	N	226969	DN32 PTFE	227043	DN32 PTFE	246593
214123	50	216438	N	226970	DN40 PTFE	227044	DN40 PTFE	246593
214125	50	216438	N	226971	DN50 PTFE	227045	DN50 PTFE	246593
214127	50	216436	D+M	149934	DN4 StSt	150011	DN4 StSt	246577
214128	50	216436	D+M	152696	DN6 StSt	152695	DN6 StSt	246577
214129	50	216436	D+M	149912	DN10 StSt	150013	DN10 StSt	246577
214130	50	216436	D+M	149914	DN10 StSt	150014	DN10 StSt	246578
214131	50	216436	D+M	149915	DN15 StSt	150016	DN15 StSt	246577
214132	50	216436	D+M	149916	DN15 StSt	150017	DN15 StSt	246578
214133	50	216436	D+M	149917	DN15 StSt	150017	DN15 StSt	246578
214134	50	216436	D+M	149918	DN20 StSt	150018	DN20 StSt	246578
214135	50	216436	D+M	149951	DN20 StSt	150019	DN20 StSt	246578
214136	50	216438	N	226951	DN20 StSt	227025	DN20 StSt	246583
214137	50	216436	D+M	149953	DN25 StSt	150021	DN25 StSt	246578
214138	50	216436	D+M	149953	DN25 StSt	150021	DN25 StSt	246578
214139	50	216438	N	226952	DN25 StSt	227026	DN25 StSt	246583
214140	50	216438	N	226954	DN25 StSt	227028	DN25 StSt	246593
214141	50	216438	N	226953	DN25 StSt	227027	DN25 StSt	246583
214142	50	216438	N	226955	DN32 StSt	227029	DN32 StSt	246593
214143	50	216438	N	226957	DN32 StSt	227031	DN32 StSt	246593
214144	50	216438	N	226956	DN40 StSt	227030	DN40 StSt	246593
214146	50	216438	N	226959	DN50 StSt	227033	DN50 StSt	246593
214147	50	216438	N	226959	DN50 StSt	227033	DN50 StSt	246593
214149	50	216436	D+M	149934	DN4 StSt	150011	DN4 StSt	246577
214150	50	216436	D+M	152696	DN6 StSt	152695	DN6 StSt	246577
214151	50	216436	D+M	149935	DN8 StSt	150012	DN8 StSt	246577
214152	50	216436	D+M	149912	DN10 StSt	150013	DN10 StSt	246577
214153	50	216436	D+M	149914	DN10 StSt	150014	DN10 StSt	246578
214154	50	216436	D+M	149915	DN15 StSt	150016	DN15 StSt	246578
214155	50	216438	N	226951	DN20 StSt	227025	DN20 StSt	246583
214156	50	216438	N	226952	DN25 StSt	227026	DN25 StSt	246583
214157	50	216438	N	226954	DN25 StSt	227028	DN25 StSt	246593
214159	50	216438	N	226959	DN50 StSt	227033	DN50 StSt	246593
215198	50	216436	D+M	149962	DN8 PTFE	150046	DN8 PTFE	246577

If you do not find anything there or have further questions, please call +49 7940 10 91 100.



2/2 way globe control valve with stainless steel design

Ordering Chart

Article no. Complete unit	Diagram no.	Pos. 1 Seal set, actuator		Pos. 2 Control cone set, process valve		Pos. 3 Control fittings, process valve		Pos. 4 Spindle version
		Order no.	Actuator size	Order no.	Seat orifice / Material	Order no.	Seat orifice / Material	
215199	50	216436	D+M	149963	DN10 PTFE	150047	DN10 PTFE	246577
215200	50	216436	D+M	149965	DN10 PTFE	150048	DN10 PTFE	246578
215201	50	216438	N	226967	DN32 PTFE	227041	DN32 PTFE	246593
215202	50	216438	N	226969	DN32 PTFE	227043	DN32 PTFE	246593
215203	50	216436	D+M	149962	DN8 PTFE	150046	DN8 PTFE	246577
215204	50	216436	D+M	149965	DN10 PTFE	150048	DN10 PTFE	246578
215205	50	216438	N	226963	DN20 PTFE	227037	DN20 PTFE	246583
215206	50	216438	N	226969	DN32 PTFE	227043	DN32 PTFE	246593
215207	50	216436	D+M	149934	DN4 StSt	150011	DN4 StSt	246577
215208	50	216436	D+M	149934	DN4 StSt	150011	DN4 StSt	246577
215209	50	216436	D+M	152696	DN6 StSt	152695	DN6 StSt	246577
215210	50	216436	D+M	152696	DN6 StSt	152695	DN6 StSt	246577
215211	50	216436	D+M	152696	DN6 StSt	152695	DN6 StSt	246577
215212	50	216436	D+M	149935	DN8 StSt	150012	DN8 StSt	246577
215213	50	216436	D+M	149935	DN8 StSt	150012	DN8 StSt	246577
215214	50	216436	D+M	149935	DN8 StSt	150012	DN8 StSt	246577
215215	50	216436	D+M	149912	DN10 StSt	150013	DN10 StSt	246577
215216	50	216436	D+M	149912	DN10 StSt	150013	DN10 StSt	246577
215217	50	216436	D+M	149912	DN10 StSt	150013	DN10 StSt	246577
215218	50	216436	D+M	149914	DN10 StSt	150014	DN10 StSt	246578
215219	50	216436	D+M	149934	DN4 StSt	150011	DN4 StSt	246577
215220	50	216436	D+M	152696	DN6 StSt	152695	DN6 StSt	246577
215221	50	216436	D+M	149935	DN8 StSt	150012	DN8 StSt	246577
215222	50	216436	D+M	149912	DN10 StSt	150013	DN10 StSt	246577
215223	50	216436	D+M	149914	DN10 StSt	150014	DN10 StSt	246578
215224	50	216438	N	226955	DN32 StSt	227029	DN32 StSt	246593
215225	50	216438	N	226957	DN32 StSt	227031	DN32 StSt	246593
215226	50	216436	D+M	149934	DN4 StSt	150011	DN4 StSt	246577
215227	50	216436	D+M	152696	DN6 StSt	152695	DN6 StSt	246577
215228	50	216436	D+M	149935	DN8 StSt	150012	DN8 StSt	246577
215229	50	216436	D+M	149914	DN10 StSt	150014	DN10 StSt	246578
215230	50	216438	N	226951	DN20 StSt	227025	DN20 StSt	246583
215231	50	216438	N	226957	DN32 StSt	227031	DN32 StSt	246593
215249	50	216436	D+M	149965	DN10 PTFE	150048	DN10 PTFE	246578
215250	50	216436	D+M	149962	DN8 PTFE	150046	DN8 PTFE	246577
215251	50	216436	D+M	149963	DN10 PTFE	150047	DN10 PTFE	246577
215252	50	216436	D+M	149965	DN10 PTFE	150048	DN10 PTFE	246578
215253	50	216436	D+M	149943	DN15 PTFE	150049	DN15 PTFE	246577
215254	50	216436	D+M	149934	DN4 StSt	150011	DN4 StSt	246577
215255	50	216436	D+M	152696	DN6 StSt	152695	DN6 StSt	246577
215256	50	216436	D+M	149914	DN10 StSt	150014	DN10 StSt	246578
215257	50	216436	D+M	149934	DN4 StSt	150011	DN4 StSt	246577
215258	50	216436	D+M	152696	DN6 StSt	152695	DN6 StSt	246577
215872	50	216436	D+M	149935	DN8 StSt	150012	DN8 StSt	246577
215873	50	216436	D+M	149912	DN10 StSt	150013	DN10 StSt	246577
215911	50	216436	D+M	149935	DN8 StSt	150012	DN8 StSt	246577
215913	50	216436	D+M	149912	DN10 StSt	150013	DN10 StSt	246577
216409	50	216436	D+M	149915	DN15 StSt	150015	DN15 StSt	246577
219791	50	216438	N	226968	DN40 PTFE	227042	DN40 PTFE	246593
222630	50	216436	D+M	149944	DN15 PTFE	150050	DN15 PTFE	246578
222631	50	216436	D+M	149945	DN15 PTFE	150051	DN15 PTFE	246578
222632	50	216436	D+M	149947	DN20 PTFE	150053	DN20 PTFE	246578
222633	50	216438	N	226963	DN20 PTFE	227037	DN20 PTFE	246583
222634	50	216438	N	226964	DN25 PTFE	227038	DN25 PTFE	246583
222635	50	216438	N	226966	DN25 PTFE	227040	DN25 PTFE	246593
222636	50	216438	N	226967	DN32 PTFE	227041	DN32 PTFE	246593
222637	50	216438	N	226969	DN32 PTFE	227043	DN32 PTFE	246593



2/2 way globe control valve with stainless steel design

Ordering Chart

Article no. Complete unit	Diagram no.	Pos. 1 Seal set, actuator		Pos. 2 Control cone set, process valve		Pos. 3 Control fittings, process valve		Pos. 4 Spindle version
		Order no.	Actuator size	Order no.	Seat orifice / Material	Order no.	Seat orifice / Material	
222638	50	216438	N	226970	DN40 PTFE	227044	DN40 PTFE	246593
222639	50	216436	D+M	149944	DN15 PTFE	150050	DN15 PTFE	246578
222640	50	216436	D+M	149945	DN15 PTFE	150051	DN15 PTFE	246578
222641	50	216436	D+M	149947	DN20 PTFE	150053	DN20 PTFE	246578
222642	50	216438	N	226963	DN20 PTFE	227037	DN20 PTFE	246583
222643	50	216438	N	226964	DN25 PTFE	227038	DN25 PTFE	246583
222644	50	216438	N	226966	DN25 PTFE	227040	DN25 PTFE	246593
222645	50	216438	N	226965	DN32 PTFE	227039	DN32 PTFE	246583
222647	50	216438	N	226967	DN32 PTFE	227041	DN32 PTFE	246593
222648	50	216438	N	226969	DN32 PTFE	227043	DN32 PTFE	246593
222649	50	216438	N	226968	DN40 PTFE	227042	DN40 PTFE	246593
222650	50	216438	N	226970	DN40 PTFE	227044	DN40 PTFE	246593
222651	50	216436	D+M	149916	DN15 StSt	150016	DN15 StSt	246578
222652	50	216436	D+M	149917	DN15 StSt	150017	DN15 StSt	246578
222653	50	216436	D+M	149951	DN20 StSt	150019	DN20 StSt	246578
222654	50	216438	N	226951	DN20 StSt	227025	DN20 StSt	246583
222655	50	216438	N	226952	DN25 StSt	227026	DN25 StSt	246583
222656	50	216438	N	226954	DN25 StSt	227028	DN25 StSt	246593
222657	50	216438	N	226955	DN32 StSt	227029	DN32 StSt	246593
222658	50	216438	N	226957	DN32 StSt	227031	DN32 StSt	246593
222659	50	216438	N	226956	DN40 StSt	227030	DN40 StSt	246593
222660	50	216438	N	226958	DN40 StSt	227032	DN40 StSt	246593
222661	50	216436	D+M	149916	DN15 StSt	150016	DN15 StSt	246578
222662	50	216436	D+M	149917	DN15 StSt	150017	DN15 StSt	246578
222663	50	216436	D+M	149951	DN20 StSt	150019	DN20 StSt	246578
222664	50	216438	N	226951	DN20 StSt	227025	DN20 StSt	246583
222665	50	216438	N	226952	DN25 StSt	227026	DN25 StSt	246583
222666	50	216438	N	226954	DN25 StSt	227028	DN25 StSt	246593
222667	50	216438	N	226953	DN32 StSt	227027	DN32 StSt	246583
222668	50	216438	N	226955	DN32 StSt	227029	DN32 StSt	246593
222669	50	216438	N	226957	DN32 StSt	227031	DN32 StSt	246593
222670	50	216438	N	226956	DN40 StSt	227030	DN40 StSt	246593
222671	50	216438	N	226958	DN40 StSt	227032	DN40 StSt	246593
222697	50	216438	N	226963	DN20 PTFE	227037	DN20 PTFE	246583
222698	50	216438	N	226964	DN25 PTFE	227038	DN25 PTFE	246583
222699	50	216438	N	226966	DN25 PTFE	227040	DN25 PTFE	246593
222700	50	216438	N	226967	DN32 PTFE	227041	DN32 PTFE	246593
222701	50	216438	N	226969	DN32 PTFE	227043	DN32 PTFE	246593
222702	50	216438	N	226968	DN40 PTFE	227042	DN40 PTFE	246593
222703	50	216438	N	226970	DN40 PTFE	227044	DN40 PTFE	246593
222708	50	216438	N	226963	DN20 PTFE	227037	DN20 PTFE	246583
222709	50	216438	N	226964	DN25 PTFE	227038	DN25 PTFE	246583
222710	50	216438	N	226966	DN25 PTFE	227040	DN25 PTFE	246593
222711	50	216438	N	226967	DN32 PTFE	227041	DN32 PTFE	246593
222712	50	216438	N	226969	DN32 PTFE	227043	DN32 PTFE	246593
222713	50	216438	N	226968	DN40 PTFE	227042	DN40 PTFE	246593
222714	50	216438	N	226970	DN40 PTFE	227044	DN40 PTFE	246593
222718	50	216438	N	226951	DN20 StSt	227025	DN20 StSt	246583
222719	50	216438	N	226952	DN25 StSt	227026	DN25 StSt	246583
222720	50	216438	N	226954	DN25 StSt	227028	DN25 StSt	246593
222721	50	216438	N	226955	DN32 StSt	227029	DN32 StSt	246593
222722	50	216438	N	226957	DN32 StSt	227031	DN32 StSt	246593
222723	50	216438	N	226956	DN40 StSt	227030	DN40 StSt	246593
222724	50	216438	N	226958	DN40 StSt	227032	DN40 StSt	246593
222729	50	216438	N	226951	DN20 StSt	227025	DN20 StSt	246583
222730	50	216438	N	226952	DN25 StSt	227026	DN25 StSt	246583
222731	50	216438	N	226954	DN25 StSt	227028	DN25 StSt	246593



2/2 way globe control valve with stainless steel design

Ordering Chart

Article no. Complete unit	Diagram no.	Pos. 1 Seal set, actuator		Pos. 2 Control cone set, process valve		Pos. 3 Control fittings, process valve		Pos. 4 Spindle version
		Order no.	Actuator size	Order no.	Seat orifice / Material	Order no.	Seat orifice / Material	Order no.
222732	50	216438	N	226955	DN32 StSt	227029	DN32 StSt	246593
222733	50	216438	N	226957	DN32 StSt	227031	DN32 StSt	246593
222734	50	216438	N	226956	DN40 StSt	227030	DN40 StSt	246593
222735	50	216438	N	226958	DN40 StSt	227032	DN40 StSt	246593
223601	50	216438	N	226965	DN32 PTFE	227039	DN32 PTFE	246583
223602	50	216438	N	226965	DN32 PTFE	227039	DN32 PTFE	246583
223603	50	216438	N	226953	DN32 StSt	227027	DN32 StSt	246583
223604	50	216438	N	226953	DN32 StSt	227027	DN32 StSt	246583
463901	50	216436	D+M	149944	DN15 PTFE	150050	DN15 PTFE	246578
463902	50	216436	D+M	149945	DN15 PTFE	150051	DN15 PTFE	246578
463903	50	216436	D+M	149947	DN20 PTFE	150053	DN20 PTFE	246578
463904	50	216438	N	226966	DN25 PTFE	227040	DN25 PTFE	246593
463905	50	216438	N	226967	DN32 PTFE	227041	DN32 PTFE	246593
463906	50	216438	N	226969	DN32 PTFE	227043	DN32 PTFE	246593
463907	50	216438	N	226968	DN40 PTFE	227042	DN40 PTFE	246593
463908	50	216438	N	226970	DN40 PTFE	227044	DN40 PTFE	246593
463909	50	216436	D+M	149916	DN15 StSt	150016	DN15 StSt	246578
463910	50	216436	D+M	149917	DN15 StSt	150017	DN15 StSt	246578
463911	50	216436	D+M	149951	DN20 StSt	150019	DN20 StSt	246578
463912	50	216438	N	226954	DN25 StSt	227028	DN25 StSt	246593
463913	50	216438	N	226955	DN32 StSt	227029	DN32 StSt	246593
463914	50	216438	N	226957	DN32 StSt	227031	DN32 StSt	246593
463915	50	216438	N	226956	DN40 StSt	227030	DN40 StSt	246593
463916	50	216438	N	226958	DN40 StSt	227032	DN40 StSt	246593

Perfect control was never so simple

Our newest generation of Solenoid control valves and control electronics can really make your life simpler. Ground-breaking innovation has created a remarkable range of high performance, reliable and accurate valves with orifices down to 0.05 mm. Previously unattainable turn down ratios and unlimited modularity give you complete process flexibility. Bürkert's R&D teams have redefined the dynamics of proportional solenoid valves to minimise friction and stick-slip effects to provide unmatched span, repeatability and sensitivity.





2/2 way solenoid valve

Diagram 51

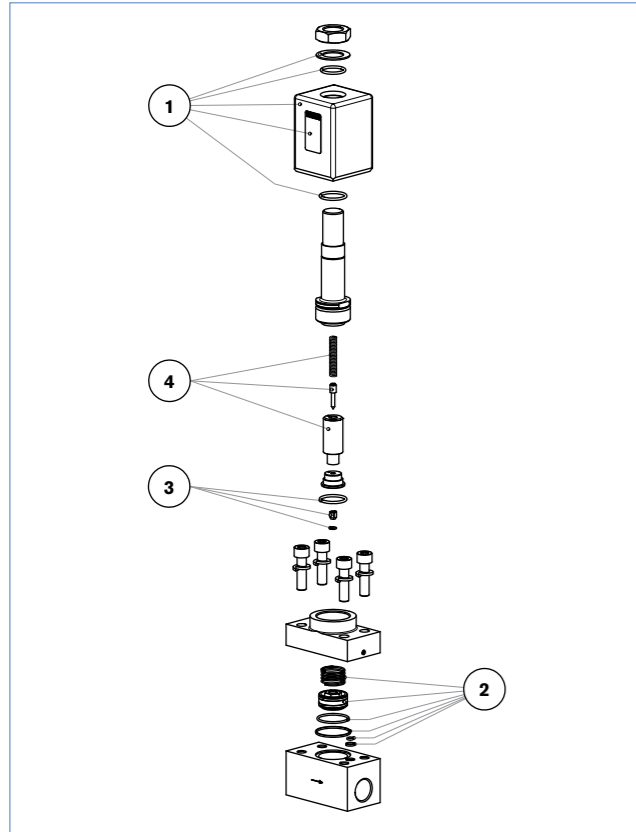


Diagram 52

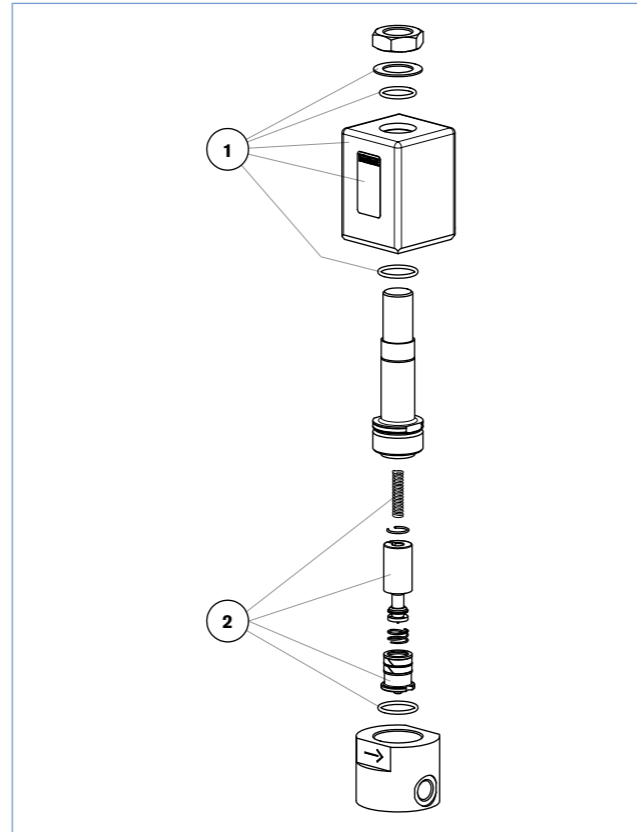
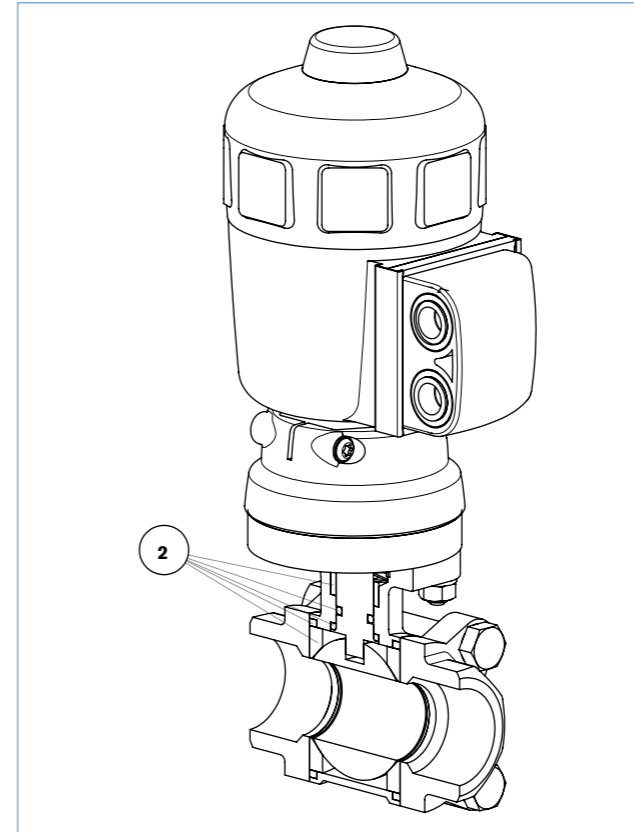
2/2 way quarter-turn ball valve with
pneumatic rotary actuator

Diagram 53



Ordering Chart

Article no. Complete unit	Diagram no.	Pos. 2 Consumable parts	
		Order no.	Orifice
431197	53	789823	DN25
431198	53	789824	DN32
431199	53	789825	DN40
431200	53	789826	DN50
431201	53	789827	DN65
431205	53	789822	DN20
431206	53	789823	DN25
435177	53	789821	DN15

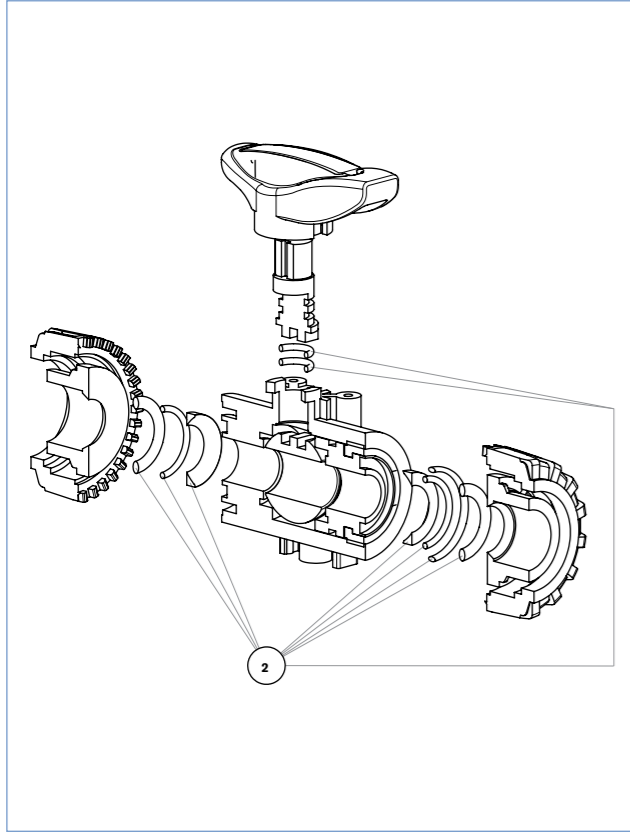
Ordering Chart

Article no. Complete unit	Diagram no.	Pos. 1 Spool set, 0243		Pos. 2 Consumable parts, 2400		Pos. 3 Seal set, 2200		Pos. 4 Consumable parts, 2200	
		Order no.	V/Hz	Order no.	Orifice / Material / Current type	Order no.	Orifice / Material	Order no.	Circuit function / Current type
000284	51	236959	024/50			014978	DN1.2 PCTFE+FKM	014980	WW A AC/DC
000422	51	236961	230/50			014978	DN1.2 PCTFE+FKM	014980	WW A AC/DC
000455	51	236961	230/50			014978	DN1.2 PCTFE+FKM	014980	WW A AC/DC
000520	51	236965	024/DC	015110	DN12 PCTFE+FKM	014978	DN1.2 PCTFE+FKM	014980	WW A AC/DC
002366	52	236965	024/DC	641805	DN5 Br DC				
002367	52	236961	230/50	641803	DN5 Br AC				
002369	52	236965	024/DC	641806	DN8 Br DC				
002370	52	236961	230/50	641804	DN8 Br AC				
006725	51	236965	024/DC			014978	DN1.2 PCTFE+FKM	014980	WW A AC/DC
132436	52	236959	024/50	641804	DN8 Br AC				
134690	51	236959	024/50	015110	DN12 PCTFE+FKM	014978	DN1.2 PCTFE+FKM	014980	WW A AC/DC



Quarter-turn ball valve, manual override, plastic body

Diagram 54



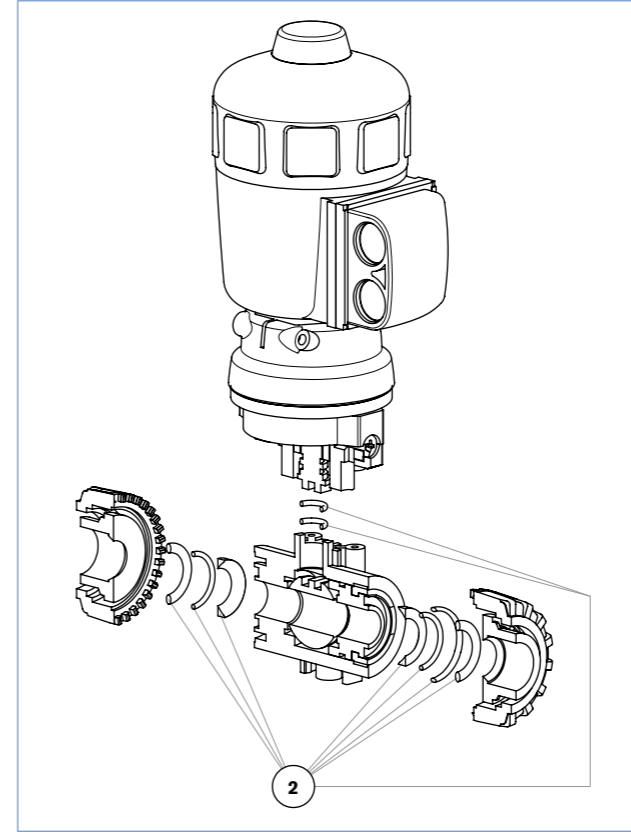
Ordering Chart

Article no. Complete unit	Diagram no.	Pos. 2 Seal set	
		Order no.	Orifice / Material
176462	54	207486	DN10 EPDM+PTFE
176463	54	677710	DN15 EPDM+PTFE
176464	54	207487	DN20 EPDM+PTFE
176465	54	207488	DN25 EPDM+PTFE
176466	54	207489	DN32 EPDM+PTFE
176467	54	207490	DN40 EPDM+PTFE
176468	54	207491	DN50 EPDM+PTFE
176469	54	207486	DN10 EPDM+PTFE
176470	54	677710	DN15 EPDM+PTFE
176471	54	207487	DN20 EPDM+PTFE
176472	54	207488	DN25 EPDM+PTFE
176473	54	207489	DN32 EPDM+PTFE
176474	54	207490	DN40 EPDM+PTFE
176475	54	207491	DN50 EPDM+PTFE
176476	54	207495	DN10 FKM+PTFE
176477	54	207496	DN15 FKM+PTFE
176478	54	207497	DN20 FKM+PTFE
176479	54	207498	DN25 FKM+PTFE
176480	54	207499	DN32 FKM+PTFE
176481	54	207500	DN40 FKM+PTFE
176482	54	207501	DN50 FKM+PTFE
176483	54	207495	DN10 FKM+PTFE
176484	54	207496	DN15 FKM+PTFE
176485	54	207497	DN20 FKM+PTFE
176486	54	207498	DN25 FKM+PTFE
176487	54	207499	DN32 FKM+PTFE
176488	54	207500	DN40 FKM+PTFE
176489	54	207501	DN50 FKM+PTFE



2/2 way quarter-turn ball valve with pneumatic rotary actuator

Diagram 55



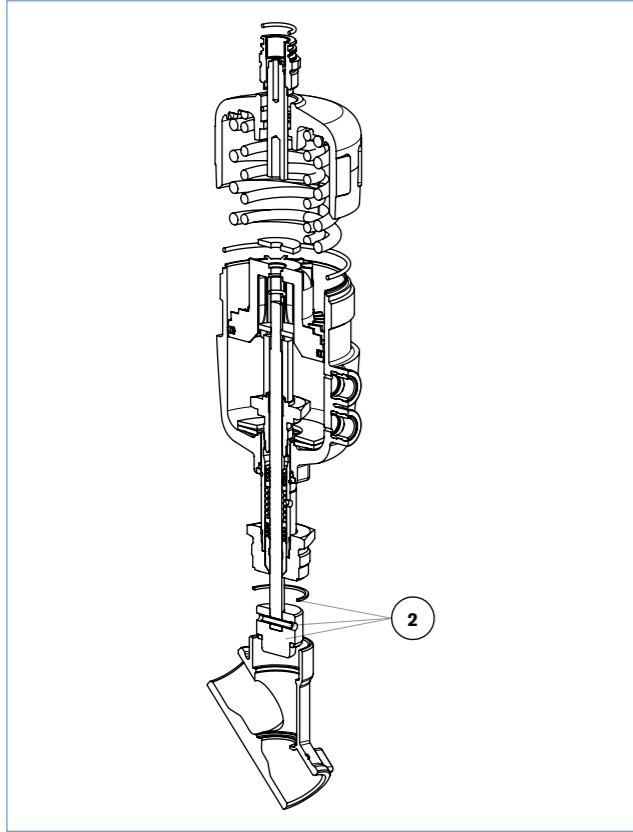
Ordering Chart

Article no. Complete unit	Diagram no.	Pos. 2 Seal set, 2657	
		Order no.	Orifice / Material
176491	55	207486	DN10 EPDM+PTFE
176492	55	677710	DN15 EPDM+PTFE
176493	55	207487	DN20 EPDM+PTFE
176494	55	207488	DN25 EPDM+PTFE
176495	55	207489	DN32 EPDM+PTFE
176496	55	207490	DN40 EPDM+PTFE
176497	55	207491	DN50 EPDM+PTFE
176505	55	207495	DN10 FKM+PTFE
176506	55	207496	DN15 FKM+PTFE
176507	55	207497	DN20 FKM+PTFE
176508	55	207498	DN25 FKM+PTFE
176509	55	207499	DN32 FKM+PTFE
176510	55	207500	DN40 FKM+PTFE
176511	55	207501	DN50 FKM+PTFE
178898	55	207486	DN10 EPDM+PTFE
178944	55	677710	DN15 EPDM+PTFE
178949	55	207487	DN20 EPDM+PTFE
178955	55	207488	DN25 EPDM+PTFE
178960	55	207489	DN32 EPDM+PTFE
178964	55	207490	DN40 EPDM+PTFE
178966	55	207491	DN50 EPDM+PTFE
178979	55	207501	DN50 FKM+PTFE
178980	55	207500	DN40 FKM+PTFE
178982	55	207499	DN32 FKM+PTFE
178983	55	207498	DN25 FKM+PTFE
178985	55	207497	DN20 FKM+PTFE
178986	55	207496	DN15 FKM+PTFE
178987	55	207495	DN10 FKM+PTFE



2/2 way angle-seat control valve

Diagram 56



Ordering Chart

Article no. Complete unit	Diagram no.	Pos. 1 Control cone set, process valve	
		Order no.	Orifice / Material
164778	56	226945	DN40 PTFE
165030	56	170318	DN25 PTFE
165486	56	170315	DN13 PTFE
165487	56	170315	DN13 PTFE
165488	56	170315	DN13 PTFE
165489	56	170316	DN20 PTFE
165511	56	170316	DN20 PTFE
165512	56	170316	DN20 PTFE
165513	56	170318	DN25 PTFE
165514	56	170318	DN25 PTFE
165515	56	170319	DN32 PTFE
165516	56	170319	DN32 PTFE
165517	56	170319	DN32 PTFE
165518	56	226945	DN40 PTFE
165519	56	226945	DN40 PTFE
165520	56	226948	DN50 PTFE
165521	56	226948	DN50 PTFE
165522	56	226948	DN50 PTFE
165523	56	170322	DN13 StSt
165524	56	170322	DN13 StSt
165525	56	170322	DN13 StSt
165526	56	170323	DN20 StSt
165529	56	170323	DN20 StSt
165530	56	170323	DN20 StSt
165531	56	170324	DN25 StSt
165534	56	170324	DN25 StSt
165536	56	170324	DN25 StSt
165537	56	170325	DN32 StSt
165538	56	170325	DN32 StSt
165539	56	170325	DN32 StSt
165540	56	225423	DN40 StSt
165541	56	225423	DN40 StSt
165542	56	225423	DN40 StSt
165543	56	225426	DN50 StSt
165544	56	225426	DN50 StSt
165545	56	225426	DN50 StSt
165546	56	170315	DN13 PTFE
165547	56	170315	DN13 PTFE
165548	56	170315	DN13 PTFE
165549	56	170316	DN20 PTFE
165551	56	170316	DN20 PTFE
165552	56	170316	DN20 PTFE
165553	56	170318	DN25 PTFE
165554	56	170318	DN25 PTFE
165556	56	170318	DN25 PTFE
165557	56	170319	DN32 PTFE
165559	56	170319	DN32 PTFE
165566	56	170324	DN25 StSt
165567	56	170324	DN25 StSt
165568	56	170324	DN25 StSt
165569	56	170325	DN32 StSt
165570	56	170325	DN32 StSt
165571	56	170319	DN32 PTFE
165572	56	226945	DN40 PTFE

Ordering Chart

Article no. Complete unit	Diagram no.	Pos. 1 Control cone set, process valve	
		Order no.	Orifice / Material
165573	56	226945	DN40 PTFE
165574	56	226945	DN40 PTFE
165575	56	226948	DN50 PTFE
165578	56	226948	DN50 PTFE
165579	56	226948	DN50 PTFE
165580	56	170322	DN13 StSt
165582	56	170322	DN13 StSt
165583	56	170322	DN13 StSt
165584	56	170323	DN20 StSt
165585	56	170323	DN20 StSt
165586	56	170323	DN20 StSt
165591	56	170325	DN32 StSt
165592	56	225423	DN40 StSt
165596	56	225423	DN40 StSt
165597	56	225423	DN40 StSt
165598	56	225426	DN50 StSt
165599	56	225426	DN50 StSt
165600	56	225426	DN50 StSt
166096	56	170315	DN13 PTFE
166097	56	170315	DN13 PTFE
166098	56	170315	DN13 PTFE
166099	56	170316	DN20 PTFE
166100	56	170316	DN20 PTFE
166101	56	170316	DN20 PTFE
166102	56	170318	DN25 PTFE
166103	56	170318	DN25 PTFE
166104	56	170318	DN25 PTFE
166105	56	170319	DN32 PTFE
166106	56	170319	DN32 PTFE
166107	56	170319	DN32 PTFE
166108	56	226945	DN40 PTFE
166109	56	226945	DN40 PTFE
166110	56	226945	DN40 PTFE
166111	56	226948	DN50 PTFE
166112	56	226948	DN50 PTFE
166113	56	226948	DN50 PTFE
166114	56	170322	DN13 StSt
166115	56	170322	DN13 StSt
166116	56	170322	DN13 StSt
166117	56	170323	DN20 StSt
166118	56	170323	DN20 StSt
166119	56	170323	DN20 StSt
166120	56	170324	DN25 StSt
166121	56	170324	DN25 StSt
166122	56	170324	DN25 StSt
166123	56	170325	DN32 StSt
166124	56	170325	DN32 StSt
166125	56	170325	DN32 StSt
166126	56	225423	DN40 StSt
166127	56	225423	DN40 StSt
166128	56	225423	DN40 StSt
166129	56	225426	DN50 StSt
166130	56	225426	DN50 StSt
166131	56	225426	DN50 StSt

2/2 way angle-seat control valve



Ordering Chart

Article no. Complete unit	Diagram no.	Pos. 1 Control cone set, process valve	
		Order no.	Orifice / Material
462095	56	170315	DN13 PTFE
462096	56	170316	DN20 PTFE
462097	56	170318	DN25 PTFE
462098	56	170319	DN25 PTFE
462099	56	226945	DN40 PTFE
462100	56	226948	DN50 PTFE
462101	56	170322	DN13 StSt
462102	56	170323	DN20 StSt
462103	56	170324	DN25 StSt
462104	56	170325	DN32 StSt
462105	56	225423	DN40 StSt
462106	56	225426	DN50 StSt
462107	56	170315	DN13 PTFE
462108	56	170316	DN20 PTFE
462110	56	170324	DN25 StSt
462111	56	170318	DN25 PTFE
462112	56	170319	DN32 PTFE
462113	56	226945	DN40 PTFE
462114	56	226948	DN50 PTFE
462115	56	170322	DN13 StSt
462116	56	170323	DN20 StSt
462121	56	170325	DN32 StSt
462122	56	225423	DN40 StSt
462123	56	225426	DN50 StSt
507141	56	170315	DN13 PTFE
507142	56	170316	DN20 PTFE
507143	56	170318	DN25 PTFE
507144	56	170319	DN32 PTFE
507145	56	226945	DN40 PTFE
507146	56	226948	DN50 PTFE
507147	56	170322	DN13 StSt
507148	56	170323	DN20 StSt
507149	56	170324	DN25 StSt
507150	56	170325	DN32 StSt
507151	56	225423	DN40 StSt
507152	56	225426	DN50 StSt
507153	56	170315	DN13 PTFE
507154	56	170316	DN20 PTFE
507155	56	170324	DN25 StSt
507156	56	170325	DN32 StSt
507157	56	225423	DN40 StSt
507158	56	225426	DN50 StSt
507161	56	170318	DN25 PTFE
507162	56	170319	DN32 PTFE
507163	56	226945	DN40 PTFE
507164	56	226948	DN50 PTFE
507165	56	170322	DN13 StSt
507166	56	170323	DN20 StSt

Mass Flow controller

Whatever the application, it is all down to precise regulation, constant control and accurate metering of the gaseous media to ensure consistent and reproducible results. Our efficient and intelligent devices make gas handling simple.

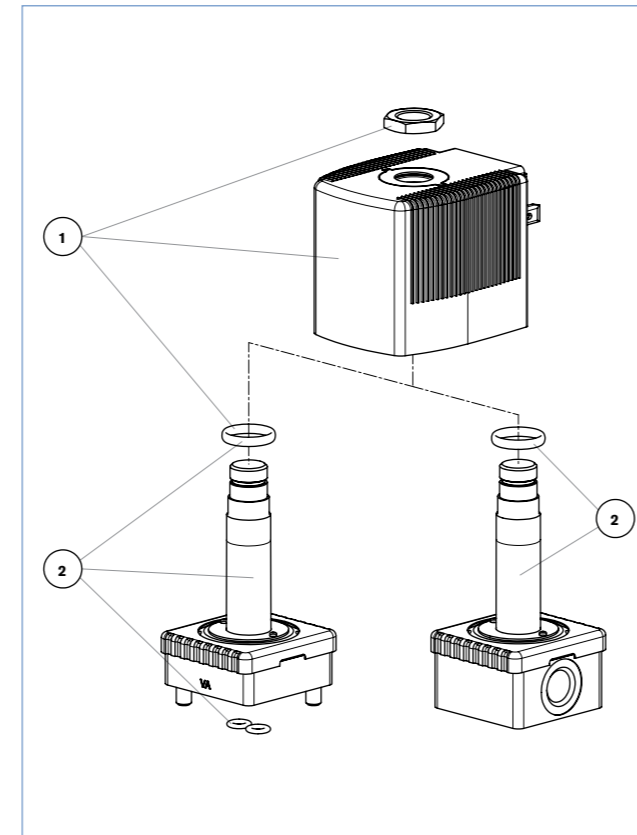


6013



2/2 way miniature solenoid valve

Diagram 79



Ordering Chart

Article no. Complete unit	Diagram no.	Pos. 1 Spool set		Pos. 2 Fitting without coil	
		Order no.	V/Hz / Power / Coil size	Order no.	Orifice / Material / Connection
125301	79	126434	24/DC 8 W SG 5	126125	3.0 Br G ¼
125302	79	645556	24/56 8 W SG 5	126125	3.0 Br G ¼
125304	79	645558	230/56 8 W SG 5	126125	3.0 Br G ¼
125306	79	126434	24/DC 8 W SG 5	126131	4.0 Br G ¼
125307	79	645556	24/56 8 W SG 5	126131	4.0 Br G ¼
125309	79	645558	230/56 8 W SG 5	126131	4.0 Br G ¼
125311	79	126434	24/DC 8 W SG 5	126135	6.0 Br G ¼
125312	79	645556	24/56 8 W SG 5	126135	6.0 Br G ¼
125314	79	645558	230/56 8 W SG 5	126135	6.0 Br G ¼
125317	79	126434	24/DC 8 W SG 5	126128	3.0 StSt G ¼
125318	79	126434	24/DC 8 W SG 5	126133	4.0 StSt G ¼
125319	79	645556	24/56 8 W SG 5	126133	4.0 StSt G ¼
125320	79	645558	230/56 8 W SG 5	126133	4.0 StSt G ¼
126078	79	126434	24/DC 8 W SG 5	126127	3.0 StSt G ½
126079	79	645556	24/56 8 W SG 5	126127	3.0 StSt G ½
126081	79	645558	230/56 8 W SG 5	126127	3.0 StSt G ½
126082	79	645556	24/56 8 W SG 5	126128	3.0 StSt G ¼
126084	79	645558	230/56 8 W SG 5	126128	3.0 StSt G ¼
126086	79	126434	24/DC 8 W SG 5	126136	6.0 StSt G ¼
126087	79	645556	24/56 8 W SG 5	126136	6.0 StSt G ¼
126089	79	645558	230/56 8 W SG 5	126136	6.0 StSt G ¼
126091	79	126434	24/DC 8 W SG 5	126124	3.0 Br G ½
126092	79	645556	24/56 8 W SG 5	126124	3.0 Br G ½
126094	79	645558	230/56 8 W SG 5	126124	3.0 Br G ½
132865	79	645556	24/56 8 W SG 5	132586	2.0 Br G ½
134233	79	126434	24/DC 8 W SG 5	132587	2.0 StSt G ½
134234	79	645556	24/56 8 W SG 5	132587	2.0 StSt G ½
134236	79	645558	230/56 8 W SG 5	132587	2.0 StSt G ½
134237	79	126434	24/DC 8 W SG 5	132586	2.0 Br G ½
134239	79	645558	230/56 8 W SG 5	132586	2.0 Br G ½
134240	79	126434	24/DC 8 W SG 5	132588	2.5 Br G ½
134241	79	645556	24/56 8 W SG 5	132588	2.5 Br G ½
134243	79	645558	230/56 8 W SG 5	132588	2.5 Br G ½
134244	79	126434	24/DC 8 W SG 5	132625	2.0 Br flange
134245	79	645556	24/56 8 W SG 5	132625	2.0 Br flange
134247	79	645558	230/56 8 W SG 5	132625	2.0 Br flange
134248	79	126464	24/DC 10 W SG 6	133296	3.0 Br G ¾
134249	79	189238	24/50 10 W SG 6	133296	3.0 Br G ¾
134251	79	647038	230/50 10 W SG 6	133296	3.0 Br G ¾
134252	79	126464	24/DC 10 W SG 6	133297	4.0 Br G ¾
134253	79	231304	110/50 10 W SG 6	133297	4.0 Br G ¾
134255	79	647038	230/50 10 W SG 6	133297	4.0 Br G ¾
134256	79	126464	24/DC 10 W SG 6	133298	6.0 Br G ¾
134257	79	189238	24/50 10 W SG 6	133298	6.0 Br G ¾
134259	79	647038	230/50 10 W SG 6	133298	6.0 Br G ¾
135430	79	126464	24/DC 10 W SG 6	135884	3.0 Br G ¾
135431	79	189238	24/50 10 W SG 6	135884	3.0 Br G ¾
135433	79	647038	230/50 10 W SG 6	135884	3.0 Br G ¾
135434	79	126464	24/DC 10 W SG 6	135885	4.0 Br G ¾
135435	79	189238	24/50 10 W SG 6	135885	4.0 Br G ¾
135437	79	647038	230/50 10 W SG 6	135885	4.0 Br G ¾
135438	79	126464	24/DC 10 W SG 6	135886	6.0 Br G ¾
135439	79	189238	24/50 10 W SG 6	135886	6.0 Br G ¾
135441	79	647038	230/50 10 W SG 6	135886	6.0 Br G ¾
136015	79	648743	24/DC 8 W SG 5	135878	2.0 Br G ¼
136016	79	231301	024/50 8 W SG 5	135878	2.0 Br G ¼
136018	79	231310	230/50 8 W SG 5	135878	2.0 Br G ¼
136019	79	144416	24/DC 10 W SG 6	126123	3.0 Br G ¼
136020	79	189259	24/50 10 W SG 6	126123	3.0 Br G ¼

Ordering Chart

Article no. Complete unit	Diagram no.	Pos. 1 Spool set		Pos. 2 Fitting without coil	
		Order no.	V/Hz / Power / Coil size	Order no.	Orifice / Material / Connection
136022	79	231320	110/50 10 W SG 6	126123	3.0 Br G ¼
136023	79	144416	24/DC 10 W SG 6	136233	3.0 Br G ¾
136024	79	189259	24/50 10 W SG 6	136233	3.0 Br G ¾
136026	79	189260	230/50 10 W SG 6	136233	3.0 Br G ¾
137533	79	126434	24/DC 8 W SG 5	137556	2.0 StSt G ¼
137534	79	645556	24/56 8 W SG 5	137556	2.0 StSt G ¼
137536	79	645558	230/56 8 W SG 5	137556	2.0 StSt G ¼
137537	79	126434	24/DC 8 W SG 5	137557	2.0 Br G ¼
137538	79	645556	24/56 8 W SG 5	137557	2.0 Br G ¼
137540	79	645558	230/56 8 W SG 5	137557	2.0 Br G ¼
137818	79	126434	24/DC 8 W SG 5		
137819	79	645558	230/56 8 W SG 5		
137820	79	126434	24/DC 8 W SG 5		
137822	79	126434	24/DC 8 W SG 5		
137823	79	645558	230/56 8 W SG 5		
137824	79	126434	24/DC 8 W SG 5		
137825	79	645558	230/56 8 W SG 5		
137826	79	126434	24/DC 8 W SG 5		
137827	79	645558	230/56 8 W SG 5		
137828	79	126434	24/DC 8 W SG 5		
137829	79	645558	230/56 8 W SG 5		
137830	79	126434	24/DC 8 W SG 5		
137831	79	645558	230/56 8 W SG 5		
137832	79	126434	24/DC 8 W SG 5		
137833	79	645558	230/56 8 W SG 5		
209266	79	231327	024/DC/8 W SG 5	209685	2.0 Br flange
209267	79	231327	024/DC/8 W SG 5	209686	2.5 Br flange
209268	79	231327	024/DC/8 W SG 5	209687	3.0 Br flange
209269	79	231327	024/DC/8 W SG 5	209683	2.0 Br G ½
209270	79	231327	024/DC/8 W SG 5	209684	2.5 Br G ½
209271	79	231327	024/DC/8 W SG 5	209599	3.0 Br G ½
209272	79	231323	024/DC/7 W SG 5	209685	2.0 Br flange
209273	79	231323	024/DC/7 W SG 5	209686	2.5 Br flange
209274	79	231323	024/DC/7 W SG 5	209687	3.0 Br flange
209275	79	231323	024/DC/7 W SG 5	209683	2.0 Br G ½
209276	79	231323	024/DC/7 W SG 5	209684	2.5 Br G ½
209277	79	231323	024/DC/7 W SG 5	209599	3.0 Br G ½
213543	79	648743	24/DC 8 W SG 5	213555	2.0 Br G ¼
213545	79	648743	24/DC 8 W SG 5	213556	3.0 Br G ¼
213546	79	648743	24/DC 8 W SG 5	213557	3.0 Br G ¼
213548	79	648743	24/DC 8 W SG 5	213558	4.0 Br G ¼
213549	79	648743	24/DC 8 W SG 5	213560	6.0 Br G ¼
213550	79	189256	230/50 7 W SG 5	213555	2.0 Br G ½
213551	79	189256	230/50 7 W SG 5	213556	3.0 Br G ½
213552	79	189256	230/50 7 W SG 5	213557	3.0 Br G ¼
213553	79	189256	230/50 7 W SG 5	213558	4.0 Br G ¼
213554	79	189256	230/50 7 W SG 5	213560	6.0 Br G ¼



2/2 way miniature solenoid valve

6013



3/2 way miniature solenoid valve

Diagram 80

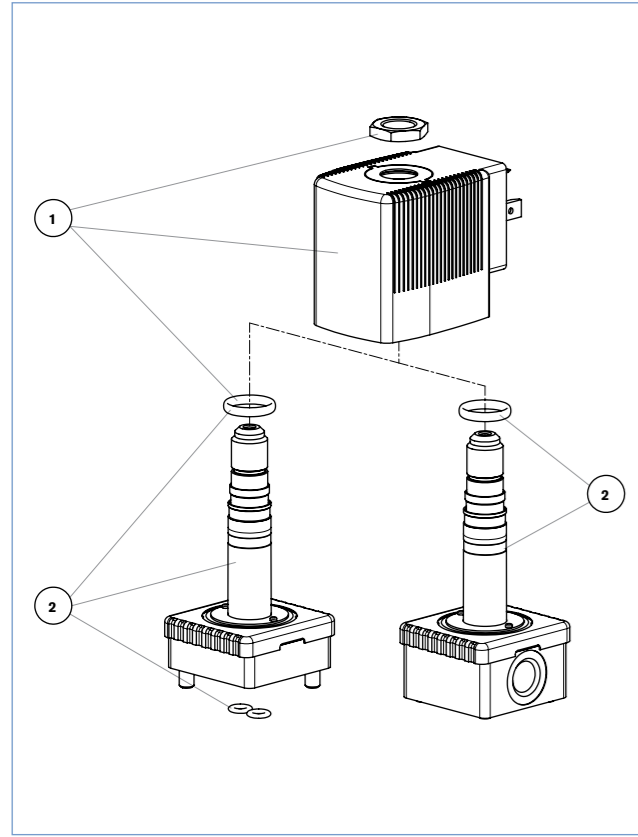
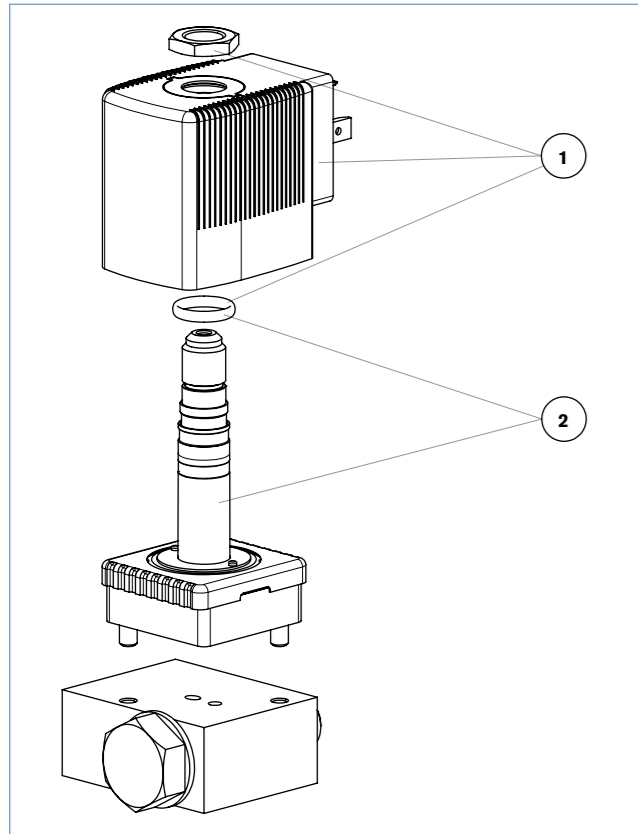


Diagram 81



Ordering Chart

Article no. Complete unit	Diagram no.	Pos. 1 Spool set		Pos. 2 Fitting without coil	
		Order no.	V/Hz / Power	Order no.	Orifice / Material / Connection
125329	80	126434	24/DC 8 W	126235	1.5 Br G 1/4
125331	80	645556	24/56 8 W	126235	1.5 Br G 1/4
125332	80	645558	230/56 8 W	126235	1.5 Br G 1/4
125333	80	126434	24/DC 8 W	125690	2.0 Br G 1/2
125334	80	645556	24/56 8 W	125690	2.0 Br G 1/2
125336	80	645558	230/56 8 W	125690	2.0 Br G 1/2
125337	80	126434	24/DC 8 W	126242	2.0 Br G 1/2
125338	80	645556	24/56 8 W	126242	2.0 Br G 1/2
125339	80	645558	230/56 8 W	126242	2.0 Br G 1/2
125340	80	645556	24/56 8 W	125423	2.5 Br G 1/2
125341	80	126434	24/DC 8 W	125423	2.5 Br G 1/2
125342	80	645558	230/56 8 W	125423	2.5 Br G 1/2
125348	80	126434	24/DC 8 W	126243	2.0 Br G 1/4
125349	80	126434	24/DC 8 W	126244	2.0 Br G 1/4
125355	80	645558	230/56 8 W	126250	1.5 Br G 1/2
125357	80	126434	24/DC 8 W	126252	2.0 Br G 1/2
125358	80	645556	24/56 8 W	126252	2.0 Br G 1/2
125360	80	645558	230/56 8 W	126252	2.0 Br G 1/2
125361	80	645556	24/56 8 W	126253	2.0 Br G 1/2
125363	80	126434	24/DC 8 W	126256	2.5 Br G 1/2
125366	80	645558	230/56 8 W	126233	1.5 Br flange
125367	80	126434	24/DC 8 W	126240	2.0 Br flange
125368	80	645556	24/56 8 W	126240	2.0 Br flange
125370	80	645558	230/56 8 W	126240	2.0 Br flange
125371	80	126434	24/DC 8 W	126241	2.0 Br flange
125372	80	645556	24/56 8 W	126241	2.0 Br flange
125374	80	645558	230/56 8 W	126241	2.0 Br flange
125383	80	645556	230/56 8 W	126251	2.0 Br flange
126138	80	645556	24/56 8 W	126243	2.0 Br G 1/4
126140	80	645558	230/56 8 W	126243	2.0 Br G 1/4
126142	80	126434	24/DC 8 W	126249	2.5 Br G 1/4
126143	80	645556	24/56 8 W	126249	2.5 Br G 1/4
126145	80	645558	230/56 8 W	126249	2.5 Br G 1/4
126147	80	645556	24/56 8 W	126244	2.0 Br G 1/4
126149	80	645558	230/56 8 W	126244	2.0 Br G 1/4
126150	80	126434	24/DC 8 W	126258	1.5 Br G 1/2
126151	80	645556	24/56 8 W	126258	1.5 Br G 1/2
126153	80	645558	230/56 8 W	126258	1.5 Br G 1/2
126154	80	126434	24/DC 8 W	126233	1.5 Br flange
126155	80	645556	24/56 8 W	126233	1.5 Br flange
126157	80	126434	24/DC 8 W	126234	1.5 Br flange
126158	80	645556	24/56 8 W	126234	1.5 Br flange
126160	80	645558	230/56 8 W	126234	1.5 Br flange
126161	80	126434	24/DC 8 W	126251	2.0 Br flange
126162	80	645556	24/56 8 W	126251	2.0 Br flange
126195	80	126434	24/DC 8 W	126250	1.5 Br G 1/2
126196	80	645556	24/56 8 W	126250	1.5 Br G 1/2
126198	80	126434	24/DC 8 W	126254	2.0 Br G 1/4
126199	80	645556	24/56 8 W	126254	2.0 Br G 1/4
126201	80	645558	230/56 8 W	126254	2.0 Br G 1/4
126202	80	645556	24/56 8 W	126256	2.5 Br G 1/2
126204	80	645558	230/56 8 W	126256	2.5 Br G 1/2
126205	80	126434	24/DC 8 W	126257	2.5 Br G 1/4
126206	80	645556	24/56 8 W	126257	2.5 Br G 1/4
126208	80	645558	230/56 8 W	126257	2.5 Br G 1/4
126209	80	126434	24/DC 8 W	126253	2.0 Br G 1/2
126211	80	645558	230/56 8 W	126253	2.0 Br G 1/2
126212	80	126434	24/DC 8 W	126255	2.0 Br G 1/4
126213	80	645556	24/56 8 W	126255	2.0 Br G 1/4

Ordering Chart

Article no. Complete unit	Diagram no.	Pos. 1 Spool set		Pos. 2 Fitting without coil	
		Order no.	V/Hz / Power	Order no.	Orifice / Material / Connection
126215	80	645558	230/56 8 W	126255	2.0 Br G 1/4
126216	80	126434	24/DC 8 W	126238	1.5 StSt G 1/4
126217	80	645556	24/56 8 W	126238	1.5 StSt G 1/4
126219	80	645558	230/56 8 W	126238	1.5 StSt G 1/4
126220	80	126434	24/DC 8 W	126247	2.0 StSt G 1/4
126221	80	645556	24/56 8 W	126247	2.0 StSt G 1/4
126223	80	645558	230/56 8 W	126247	2.0 StSt G 1/4
126224	80	126434	24/DC 8 W	126248	2.0 StSt G 1/4
126225	80	645556	24/56 8 W	126248	2.0 StSt G 1/4
126227	80	645558	230/56 8 W	126248	2.0 StSt G 1/4
126228	80	126434	24/DC 8 W	126259	2.5 Br G 1/4
126229	80	645556	24/56 8 W	126259	2.5 Br G 1/4
126231	80	645558	230/56 8 W	126259	2.5 Br G 1/4
126390	80	126433	24/DC 5 W	130508	1.5 PA flange
126391	80	126435	24/50 5 W	130508	1.5 PA flange
126393	80	126429	230/50 5 W	130508	1.5 PA flange
126396	80	126433	24/DC 5 W	130509	1.5 PA flange
126397	80	126435	24/50 5 W	130509	1.5 PA flange
126399	80	126429	230/50 5 W	130509	1.5 PA flange
126403	80	126433	24/DC 5 W	126232	1.5 Br flange
126404	80	126435	24/50 5 W	126232	1.5 Br flange
126406	80	126429	230/50 5 W	126232	1.5 Br flange
126407	80	126433	24/DC 5 W	126239	2.0 Br flange
126408	80	126435	24/50 5 W	126239	2.0 Br flange
126410	80	126429	230/50 5 W	126239	2.0 Br flange
215738	80	179881	110/60 8 W	126246	2.0 PA flange
424098	81	126434	24/DC 8 W	126234	1.5 Br flange
424099	81	126436	24/50 8 W	126234	1.5 Br flange
424100	81	648128	48/50 8 W	126234	1.5 Br flange
424101	81	126432	110/50 8 W	126234	1.5 Br flange
424102	81	645558	230/56 8 W	126234	1.5 Br flange
424103	81	126434	24/DC 8 W	126241	2.0 Br flange
424104	81	126436	24/50 8 W	126241	2.0 Br flange
424105	81	648128	48/50 8 W	126241	2.0 Br flange
424106	81	126432	110/50 8 W	126241	2.0 Br flange
424107	81	645558	230/56 8 W	126241	2.0 Br flange
424108	81	126434	24/DC 8 W	126234	1.5 Br flange
424109	81	126436	24/50 8 W	126234	1.5 Br flange
424110	81	648128	48/50 8 W	126234	1.5 Br flange
424112	81	645558	230/56 8 W	126234	1.5 Br flange
424113	81	126434	24/DC 8 W	126241	2.0 Br flange
424114	81	126436	24/50 8 W	126241	2.0 Br flange
424115	81	648128	48/50 8 W	126241	2.0 Br flange
424116	81	126434	24/DC 8 W	126241	2.0 Br flange
424117	81	645558	230/56 8 W	126241	2.0 Br flange
424118	81	645506	24/DC 2 W	132348	1.5 PA flange
424119	81	645507	24/56 2 W	132348	1.5 PA flange
424120	81	179842	048/50 2 W	132348	1.5 PA flange
424121	81	645508	110/56 2 W	132348	1.5 PA flange
424122	81	645567	230/56 2 W	132348	1.5 PA flange
424123	81	645506	24/DC 2 W	132348	1.5 PA flange
424124	81	645507	24/56 2 W	132348	1.5 PA flange
424126	81	645508	110/56 2 W	132348	1.5 PA flange
424127	81	645567	230/56 2 W	132348	1.5 PA flange
429130	81	126434	24/DC 8 W	126234	1.5 Br flange
429132	81	643802	120/60 8 W	126234	1.5 Br flange
429133	81	643803	240/60 8 W	126234	1.5 Br flange
429134	81	126434	24/DC 8 W	126241	2.0 Br flange
429135	81	643801	24/60 8 W	126234	1.5 Br flange

Ordering Chart

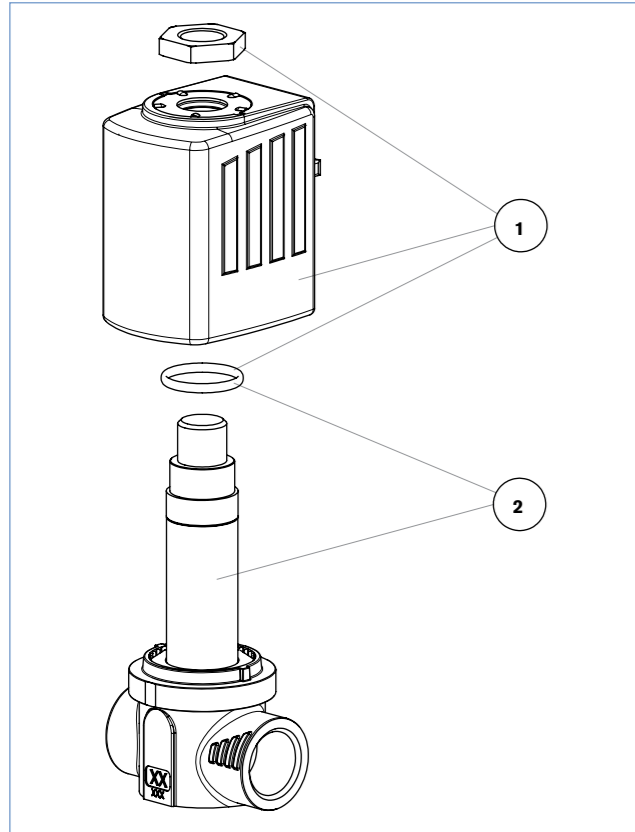
Article no. Complete unit	Diagram no.	Pos. 1 Spool set		Pos. 2 Fitting without coil	
		Order no.	V/Hz / Power	Order no.	Orifice / Material / Connection
434676	81	425502	24/DC 2 W	126241	2.0 Br flange
437487	81	126434	24/DC 8 W		
438074	81	648128	48/50 8 W		
438075	81	645558	230/56 8 W		
439847	81	645558	230/56 8 W	158767	2.0 Br flange
440108	81			126240	2.0 Br flange
440123	81	232381	230/60 8 W	126241	2.0 Br flange
447375	81	126434	24/DC 8 W	158767	2.0 Br flange
555730	81	645564	24/DC 2 W		
555852	81			126240	2.0 Br flange
557871	81	645508	110/56 2 W	132348	1.5 PA flange
557882	81			136570	1.5 Br flange
557883	81			136570	1.5 Br flange
558271	81	205099	120/60 8 W	126241	2.0 Br flange
558272	81	205099	120/60 8 W	126240	2.0 Br flange
558273	81	205099	120/60 8 W	126241	2.0 Br flange
558274	81	205099	120/60 8 W	126240	2.0 Br flange
558922	81	648743	24/DC 8 W	126241	2.0 Br flange
558985	81			136570	1.5 Br flange
559004	81	645558	230/56 8 W	126234	1.5 Br flange
559371	81	237013	120/56 8 W	132649	1.5 Br flange
559587	81	126434	24/DC 8 W	126234	1.5 Br flange
559684	81	231310	230/50 8 W	126233	1.5 Br flange
559979	81	645567	230/56 2 W	185069	1.5 PA flange
560298	81	645506	24/DC 2 W	185069	1.5 PA flange
560530	81			185069	1.5 PA flange
560591	81			126240	2.0 Br flange
560651	81	205099	120/60 8 W	126241	2.0 Br flange
560915	81	645508	110/56 2 W	206528	1.2 PA flange
561540	81	645257	12/DC 8 W	126241	2.0 Br flange
561748	81	645567	230/56 2 W	185069	1.5 PA flange
562457	81			224468	1.5 Br flange
562458	81			224468	1.5 Br flange
784706	80	126434	24/DC 8 W	126246	2.0 PA flange
784707	80	126436	24/50 8 W	126246	2.0 PA flange
784708	80	126432	110/50 8 W	126246	2.0 PA flange
784709	80	645558	230/56 8 W	126246	2.0 PA flange
784710	80	126433	24/DC 5 W	130509	1.5 PA flange
786014	80	126434	24/DC 8 W	133507	2.5 PA flange
786015	80	645558	230/56 8 W	133507	2.5 PA flange





2/2 way compact solenoid valve

Diagram 82



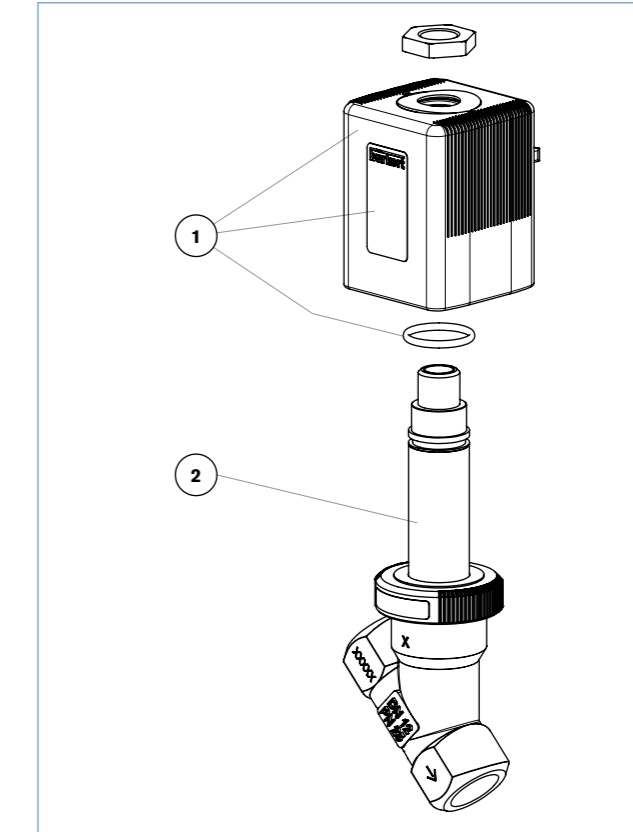
Ordering Chart

Article no. Complete unit	Diagram no.	Pos. 1 Spool set		Pos. 2 Fitting without coil	
		Order no.	V/Hz	Order no.	Orifice / Material / Connection
178239	82	189268	24/DC	178238	3.0 StSt G ¼
178240	82	189269	24/50	178238	3.0 StSt G ¼
178241	82	189270	230/50	178238	3.0 StSt G ¼
178243	82	189268	24/DC	178242	4.0 StSt G ¼
178244	82	189269	24/50	178242	4.0 StSt G ¼
178245	82	189270	230/50	178242	4.0 StSt G ¼
178247	82	189268	24/DC	178246	5.0 StSt G ¼
178248	82	189269	24/50	178246	5.0 StSt G ¼
178249	82	189270	230/50	178246	5.0 StSt G ¼
178251	82	189268	24/DC	178250	6.0 StSt G ¼
178252	82	189269	24/50	178250	6.0 StSt G ¼
178253	82	189270	230/50	178250	6.0 StSt G ¼
178255	82	189268	24/DC	178254	3.0 StSt G ¾
178256	82	189269	24/50	178254	3.0 StSt G ¾
178257	82	189270	230/50	178254	3.0 StSt G ¾
178259	82	189268	24/DC	178258	4.0 StSt G ¾
178260	82	189269	24/50	178258	4.0 StSt G ¾
178261	82	189270	230/50	178258	4.0 StSt G ¾
178263	82	189268	24/DC	178262	5.0 StSt G ¾
178264	82	189269	24/50	178262	5.0 StSt G ¾
178265	82	189270	230/50	178262	5.0 StSt G ¾
178267	82	189268	24/DC	178266	6.0 StSt G ¾
178268	82	189269	24/50	178266	6.0 StSt G ¾
178269	82	189270	230/50	178266	6.0 StSt G ¾
178271	82	189268	24/DC	178270	8.0 StSt G ¾
178272	82	189269	24/50	178270	8.0 StSt G ¾
178273	82	189270	230/50	178270	8.0 StSt G ¾
178275	82	189268	24/DC	178274	6.0 StSt G ½
178276	82	189269	24/50	178274	6.0 StSt G ½
178277	82	189270	230/50	178274	6.0 StSt G ½
178279	82	189268	24/DC	178278	8.0 StSt G ½
178280	82	189269	24/50	178278	8.0 StSt G ½
178281	82	189270	230/50	178278	8.0 StSt G ½
178283	82	189268	24/DC	178282	10.0 StSt G ½
178284	82	189269	24/50	178282	10.0 StSt G ½
178285	82	189270	230/50	178282	10.0 StSt G ½
178287	82	189268	24/DC	178286	12.0 StSt G ½
178288	82	189269	24/50	178286	12.0 StSt G ½
178289	82	189270	230/50	178286	12.0 StSt G ½
178295	82	189268	24/DC	178294	3.0 Br G ¼
178296	82	189269	24/50	178294	3.0 Br G ¼
178297	82	189270	230/50	178294	3.0 Br G ¼
178299	82	189268	24/DC	178298	4.0 Br G ¼
178300	82	189269	24/50	178298	4.0 Br G ¼
178301	82	189270	230/50	178298	4.0 Br G ¼
178303	82	189268	24/DC	178302	5.0 Br G ¼
178304	82	189269	24/50	178302	5.0 Br G ¼
178305	82	189270	230/50	178302	5.0 Br G ¼
178307	82	189268	24/DC	178306	6.0 Br G ¼
178308	82	189269	24/50	178306	6.0 Br G ¼
178309	82	189270	230/50	178306	6.0 Br G ¼
178311	82	189268	24/DC	178310	3.0 Br G ¾
178312	82	189269	24/50	178310	3.0 Br G ¾
178313	82	189270	230/50	178310	3.0 Br G ¾
178315	82	189268	24/DC	178314	4.0 Br G ¾
178316	82	189269	24/50	178314	4.0 Br G ¾
178317	82	189270	230/50	178314	4.0 Br G ¾
178319	82	189268	24/DC	178318	5.0 Br G ¾
178320	82	189269	24/50	178318	5.0 Br G ¾

Ordering Chart

Article no. Complete unit	Diagram no.	Pos. 1 Spool set		Pos. 2 Fitting without coil	
		Order no.	V/Hz	Order no.	Orifice / Material / Connection
178321	82	189270	230/50	178318	5.0 Br G ¾
178323	82	189268	24/DC	178322	6.0 Br G ¾
178324	82	189269	24/50	178322	6.0 Br G ¾
178325	82	189270	230/50	178322	6.0 Br G ¾
178327	82	189268	24/DC	178326	8.0 Br G ¾
178328	82	189269	24/50	178326	8.0 Br G ¾
178329	82	189270	230/50	178326	8.0 Br G ¾
178331	82	189268	24/DC	178330	6.0 Br G ½
178332	82	189269	24/50	178330	6.0 Br G ½
178333	82	189270	230/50	178330	6.0 Br G ½
178335	82	189268	24/DC	178334	8.0 Br G ½
178336	82	189269	24/50	178334	8.0 Br G ½
178337	82	189270	230/50	178334	8.0 Br G ½
178339	82	189268	24/DC	178338	10.0 Br G ½
178340	82	189269	24/50	178338	10.0 Br G ½
178341	82	189270	230/50	178338	10.0 Br G ½
184667	82	189268	24/DC	184416	2.0 Br G ¼
184668	82	189270	230/50	184416	2.0 Br G ¼
184670	82	189268	24/DC	184417	4.0 Br G ¼
184671	82	189270	230/50	184417	4.0 Br G ¼
184674	82	189268	24/DC	184418	6.0 Br G ¼
184675	82	189270	230/50	184418	6.0 Br G ¼
184677	82	189268	24/DC	184419	6.0 Br G ¾
184678	82	189270	230/50	184419	6.0 Br G ¾
184680	82	189268	24/DC	184420	8.0 Br G ¾
184681	82	189270	230/50	184420	8.0 Br G ¾
184683	82	189268	24/DC	184421	8.0 Br G ½
184684	82	189270	230/50	184421	8.0 Br G ½
184686	82	189268	24/DC	184422	10.0 Br G ½
184687	82	189270	230/50	184422	10.0 Br G ½
184689	82	189268	24/DC	185948	2.0 StSt G ¼
184690	82	189270	230/50	185948	2.0 StSt G ¼
184692	82	189268	24/DC	185947	4.0 StSt G ¼
184693	82	189270	230/50	185947	4.0 StSt G ¼
184695	82	189268	24/DC	185946	6.0 StSt G ¾
184696	82	189270	230/50	185946	6.0 StSt G ¾
184698	82	189268	24/DC	185945	8.0 StSt G ¾
184699	82	189270	230/50	185945	8.0 StSt G ¾
184701	82	189268	24/DC	185944	10.0 StSt G ½
184702	82	189270	230/50	185944	10.0 StSt G ½
184704	82	189268	24/DC	184423	12.0 StSt G ½
184705	82	189270	230/50	184423	12.0 StSt G ½
208623	82	189268	24/DC	208608	4.0 Br G ¼
210436	82	189268	24/DC	210437	10.0 Br G ½
211914	82	189268	24/DC	211776	3.0 Br ¼
211915	82	189268	24/DC	211918	6.0 Br ¼
211916	82	189268	24/DC	211920	8.0 Br ½

Diagram 83



Ordering Chart

Article no. Complete unit	Diagram no.	Pos. 1 Spool set		Pos. 2 Fitting without coil	
		Order no.	V/Hz	Order no.	Connection
140427	83	642665	24/56	142282	G ¾
140428	83	644207	110/56	142282	G ¾
140429	83	644205	230/50	142282	G ¾
140430	83	642665	24/56	142283	G ½
140431	83	644207	110/56	142283	G ½
140432	83	644205	230/50	142283	G ½



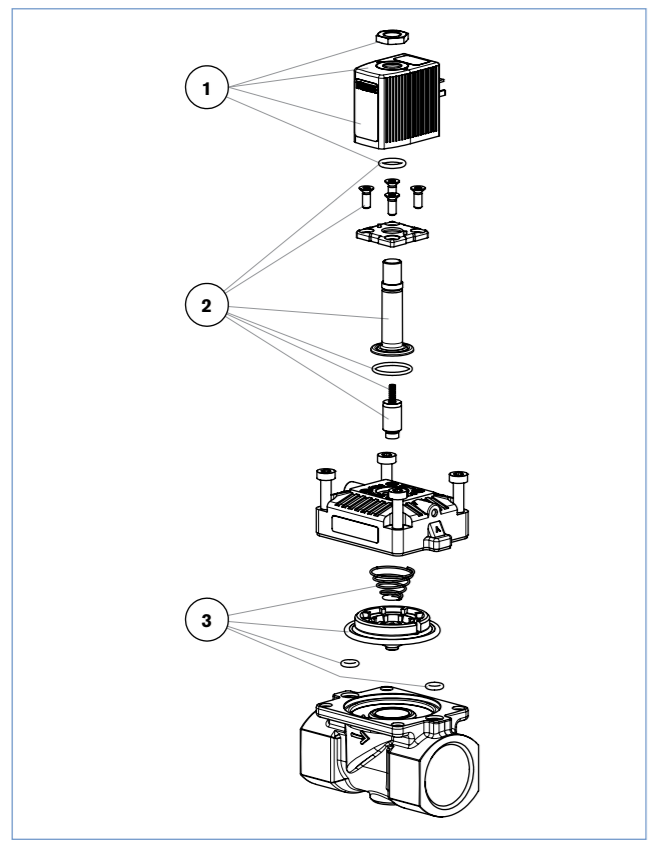
2/2 way angle-seat solenoid valve





2/2 way solenoid valve with servo diaphragm

Diagram 84



Ordering Chart

Ordering chart table for 2/2 way solenoid valve with servo diaphragm, listing article numbers, diagram numbers, spool sets, plug sets, and consumable parts.

2/2 way solenoid valve with servo diaphragm



Ordering Chart

Ordering chart table for 2/2 way solenoid valve with servo diaphragm, listing article numbers, diagram numbers, spool sets, plug sets, and consumable parts.

Ordering chart table for 2/2 way solenoid valve with servo diaphragm, listing article numbers, diagram numbers, spool sets, plug sets, and consumable parts.

Production support commissioning



Our service technicians will be glad to help on site commissioning with your expert knowledge.



2/2 way solenoid valve with forced lifting

Diagram 85

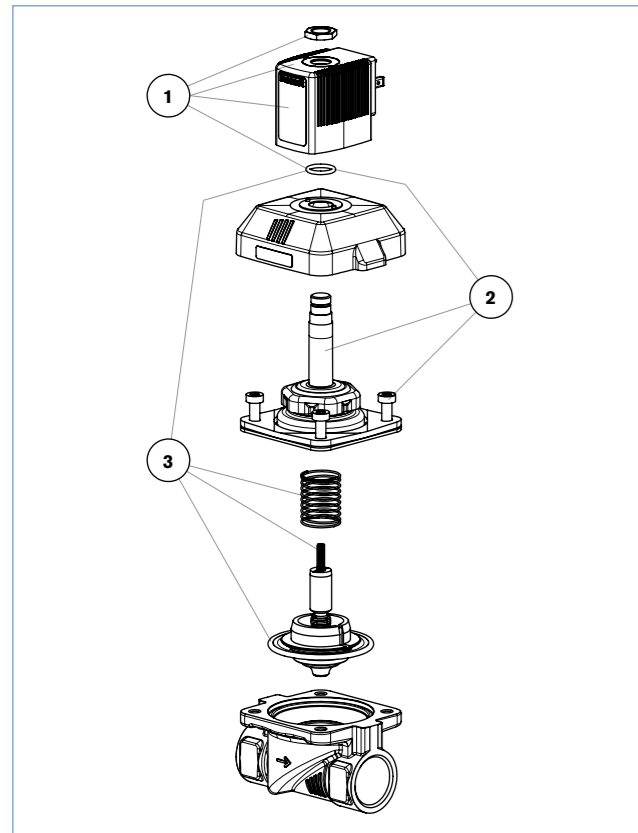


Diagram 87

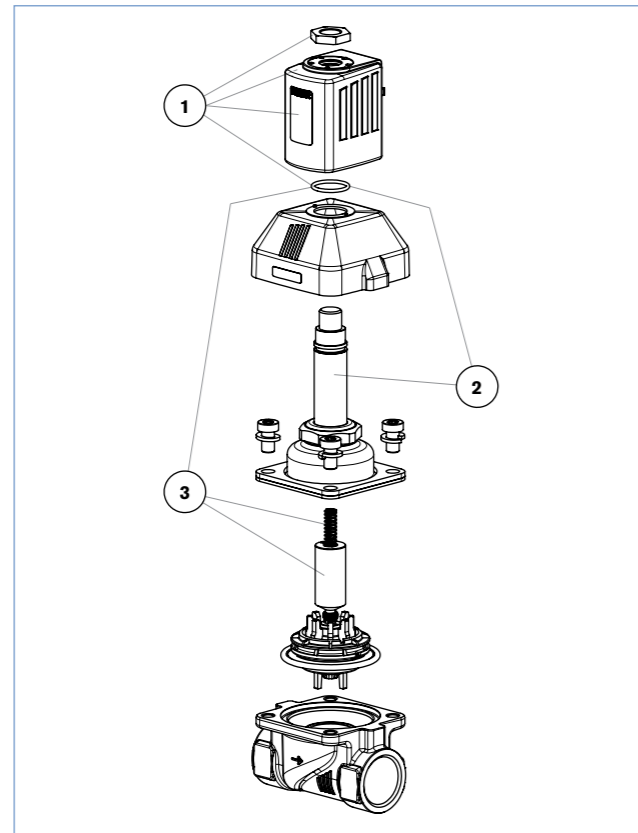
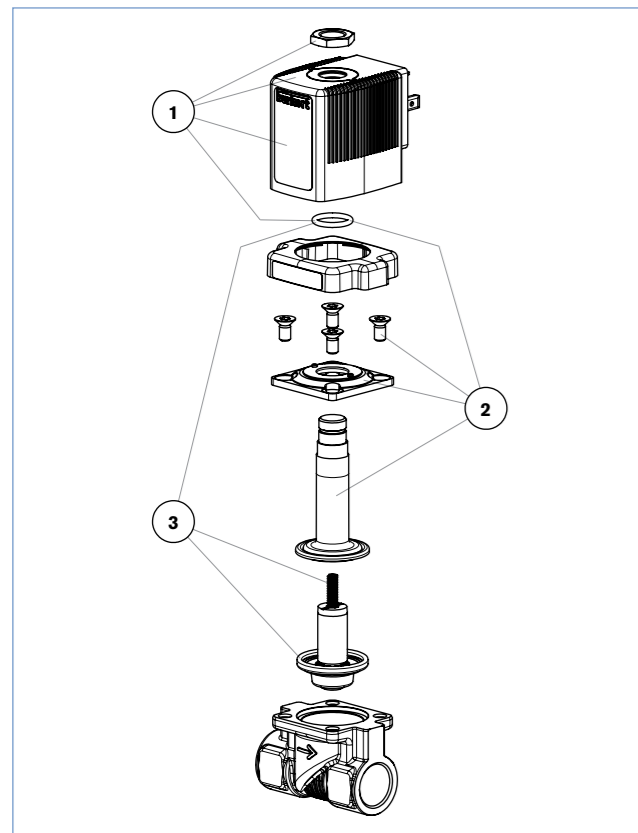


Diagram 86



Ordering Chart

Article no. Complete unit	Diagram no.	Pos. 1 Spool set		Pos. 2 Plug set		Pos. 3 Consumable parts	
		Order no.	V/Hz / Power	Order no.	Orifice / Current type	Order no.	Orifice / Material / Current type
125653	86	126464	24/DC 10 W	126458	DN10 DC	126440	DN10 NBR DC/UC
125654	86	126436	24/50 8 W	126455	DN10 AC	126437	DN10 NBR AC
125655	86	126432	110/50 8 W	126455	DN10 AC	126437	DN10 NBR AC
125656	86	645558	230/56 8 W	126455	DN10 AC	126437	DN10 NBR AC
125657	85	126464	24/DC 10 W	126461	DN13 DC	126446	DN13 NBR DC/UC
125658	85	126436	24/50 8 W	641753	DN13 AC	126443	DN13 NBR AC
125659	85	126432	110/50 8 W	641753	DN13 AC	126443	DN13 NBR AC
125660	85	645558	230/56 8 W	641753	DN13 AC	126443	DN13 NBR AC
126260	86	126464	24/DC 10 W	126458	DN10 DC	126440	DN10 NBR DC/UC
126261	86	126436	24/50 8 W	126455	DN10 AC	126437	DN10 NBR AC
126262	86	126432	110/50 8 W	126455	DN10 AC	126437	DN10 NBR AC
126263	86	645558	230/56 8 W	126455	DN10 AC	126437	DN10 NBR AC
126264	86	126464	24/DC 10 W	126458	DN10 DC	126441	DN10 FKM DC/UC
126265	86	126436	24/50 8 W	126455	DN10 AC	126438	DN10 FKM AC
126266	86	126432	110/50 8 W	126455	DN10 AC	126438	DN10 FKM AC
126267	86	645558	230/56 8 W	126455	DN10 AC	126438	DN10 FKM AC
126268	86	126464	24/DC 10 W	126458	DN10 DC	126441	DN10 FKM DC/UC
126269	86	126436	24/50 8 W	126455	DN10 AC	126438	DN10 FKM AC
126270	86	126432	110/50 8 W	126455	DN10 AC	126438	DN10 FKM AC
126271	86	645558	230/56 8 W	126455	DN10 AC	126438	DN10 FKM AC
126272	85	126464	24/DC 10 W	126461	DN13 DC	126446	DN13 NBR DC/UC
126273	85	126436	24/50 8 W	641753	DN13 AC	126443	DN13 NBR AC
126274	85	126432	110/50 8 W	641753	DN13 AC	126443	DN13 NBR AC
126275	85	645558	230/56 8 W	641753	DN13 AC	126443	DN13 NBR AC
126276	85	126464	24/DC 10 W	126462	DN13 DC	126447	DN13 FKM DC/UC
126277	85	126436	24/50 8 W	641753	DN13 AC	126444	DN13 FKM AC
126278	85	126432	110/50 8 W	641753	DN13 AC	126444	DN13 FKM AC
126279	85	645558	230/56 8 W	641753	DN13 AC	126444	DN13 FKM AC

Article no. Complete unit	Diagram no.	Pos. 1 Spool set		Pos. 2 Plug set		Pos. 3 Consumable parts	
		Order no.	V/Hz / Power	Order no.	Orifice / Current type	Order no.	Orifice / Material / Current type
126280	85	126464	24/DC 10 W	126462	DN13 DC	126447	DN13 FKM DC/UC
126281	85	126436	24/50 8 W	641753	DN13 AC	126444	DN13 FKM AC
126282	85	126432	110/50 8 W	641753	DN13 AC	126444	DN13 FKM AC
126283	85	645558	230/56 8 W	641753	DN13 AC	126444	DN13 FKM AC
126284	85	126464	24/DC 10 W	641709	DN20 DC	126452	DN20 NBR DC/UC
126285	85	126436	24/50 8 W	641710	DN20 AC	126449	DN20 NBR AC
126286	85	126432	110/50 8 W	641710	DN20 AC	126449	DN20 NBR AC
126287	85	645558	230/56 8 W	641710	DN20 AC	126449	DN20 NBR AC
126288	85	126464	24/DC 10 W	641709	DN20 DC	126452	DN20 NBR DC/UC
126289	85	126436	24/50 8 W	641710	DN20 AC	126449	DN20 NBR AC
126290	85	126432	110/50 8 W	641710	DN20 AC	126449	DN20 NBR AC
126291	85	645558	230/56 8 W	641710	DN20 AC	126449	DN20 NBR AC
126292	85	126464	24/DC 10 W	641711	DN20 DC	126453	DN20 FKM DC/UC
126293	85	126436	24/50 8 W	641712	DN20 AC	126450	DN20 FKM AC
126294	85	126432	110/50 8 W	641712	DN20 AC	126450	DN20 FKM AC
126295	85	645558	230/56 8 W	641712	DN20 AC	126450	DN20 FKM AC
126296	85	126464	24/DC 10 W	641711	DN20 DC	126453	DN20 FKM DC/UC
126297	85	126436	24/50 8 W	641712	DN20 AC	126450	DN20 FKM AC
126298	85	126432	110/50 8 W	641712	DN20 AC	126450	DN20 FKM AC
126299	85	645558	230/56 8 W	641712	DN20 AC	126450	DN20 FKM AC
131156	86	126464	24/DC 10 W	126458	DN10 DC	126442	DN10 EPDM DC/ UC
131159	86	126430	230/50 8 W			126439	DN10 EPDM AC
131161	85	126436	24/50 8 W	641755	DN13 AC	126445	DN13 EPDM AC
132995	86	126430	230/50 8 W			126439	DN10 EPDM AC
133017	85	643532	42/50 8 W	641710	DN20 AC	126449	DN20 NBR AC
134678	87	642665	24/56 18 W	644216	DN25 AC	644223	DN25 NBR AC
134679	87	644207	110/56 18 W	644216	DN25 AC	644223	DN25 NBR AC

Ordering Chart

Article no. Complete unit	Diagram no.	Pos. 1 Spool set		Pos. 2 Plug set		Pos. 3 Consumable parts	
		Order no.	V/Hz / Power	Order no.	Orifice / Current type	Order no.	Orifice / Material / Current type
134680	87	644205	230/50 18 W	644216	DN25 AC	644223	DN25 NBR AC
134681	87	642665	24/56 18 W			644223	DN25 NBR AC
134682	87	644207	110/56 18 W			644223	DN25 NBR AC
134683	87	644205	230/50 18 W			644223	DN25 NBR AC
134684	87	642665	24/56 18 W	644217	DN40 AC	644226	DN40 NBR AC
134685	87	644207	110/56 18 W	644217	DN40 AC	644226	DN40 NBR AC
134686	87	644205	230/50 18 W	644217	DN40 AC	644226	DN40 NBR AC
134687	87	642665	24/56 18 W	644217	DN40 AC	644226	DN40 NBR AC
134688	87	644207	110/56 18 W	644217	DN40 AC	644226	DN40 NBR AC
134689	87	644205	230/50 18 W	644217	DN40 AC	644226	DN40 NBR AC
135133	87	642665	24/56 18 W			644225	DN25 EPDM AC
135134	87	644207	110/56 18 W			644225	DN25 EPDM AC
135135	87	644205	230/50 18 W			644225	DN25 EPDM AC
135136	87	642665	24/56 18 W			644225	DN25 EPDM AC
135137	87	644207	110/56 18 W			644225	DN25 EPDM AC
135138	87	644205	230/50 18 W			644225	DN25 EPDM AC
135139	87	642665	24/56 18 W	644216	DN25 AC	644224	DN25 FKM AC
135140	87	644207	110/56 18 W	644216	DN25 AC	644224	DN25 FKM AC
135141	87	644205	230/50 18 W	644216	DN25 AC	644224	DN25 FKM AC
135142	87	642665	24/56 18 W	644216	DN25 AC	644224	DN25 FKM AC
135143	87	644207	110/56 18 W			644224	DN25 FKM AC
135144	87	644205	230/50 18 W			644224	DN25 FKM AC
135145	87	642665	24/56 18 W			644228	DN40 EPDM AC
135146	87	644207	110/56 18 W			644228	DN40 EPDM AC
135147	87	644205	230/50 18 W			644228	DN40 EPDM AC
135148	87	642665	24/56 18 W			644228	DN40 EPDM AC
135149	87	644207	110/56 18 W			644228	DN40 EPDM AC

Article no. Complete unit	Diagram no.	Pos. 1 Spool set		Pos. 2 Plug set		Pos. 3 Consumable parts	
		Order no.	V/Hz / Power	Order no.	Orifice / Current type	Order no.	Orifice / Material / Current type
135150	87	644205	230/50 18 W			644228	DN40 EPDM AC
135217	86	144416	24/DC 10 W	126458	DN10 DC	126442	DN10 EPDM DC/ UC
135218	86	646837	24/56 8 W	126455	DN10 AC	126439	DN10 EPDM AC
135219	86			126455	DN10 AC	126439	DN10 EPDM AC
135220	86	647360	230/56 8 W	126455	DN10 AC	126439	DN10 EPDM AC
135221	86	144416	24/DC 10 W	126458	DN10 DC	126442	DN10 EPDM DC/ UC
135222	86	646837	24/56 8 W	126455	DN10 AC	126439	DN10 EPDM AC
135223	86	231300	110/50 8 W	126455	DN10 AC	126439	DN10 EPDM AC
135224	86	647360	230/56 8 W	126455	DN10 AC	126439	DN10 EPDM AC
135226	85	144416	24/DC 10 W	126463	DN13 DC	126448	DN13 EPDM DC/ UC
135227	85	646837	24/56 8 W	641755	DN13 AC	126445	DN13 EPDM AC
135228	85	231300	110/50 8 W	641755	DN13 AC	126445	DN13 EPDM AC
135229	85	647360	230/56 8 W	641755	DN13 AC	126445	DN13 EPDM AC
135230	85	144416	24/DC 10 W	126463	DN13 DC	126448	DN13 EPDM DC/ UC
135231	85	646837	24/56 8 W	641755	DN13 AC	126445	DN13 EPDM AC
135232	85	231300	110/50 8 W	641755	DN13 AC	126445	DN13 EPDM AC
135233	85	647360	230/56 8 W	641755	DN13 AC	126445	DN13 EPDM AC
135234	85	144416	24/DC 10 W	641713	DN20 DC	126454	DN20 EPDM DC/ UC
135235	85	646837	24/56 8 W	641714	DN20 AC	126451	DN20 EPDM AC
135236	85	231300	110/50 8 W	641714	DN20 AC	126451	DN20 EPDM AC
135237	85	647360	230/56 8 W	641714	DN20 AC	126451	DN20 EPDM AC
135238	85	144416	24/DC 10 W	641713	DN20 DC	126454	DN20 EPDM DC/ UC
135239	85	646837	24/56 8 W	641714	DN20 AC	126451	DN20 EPDM AC
135240	85	231300	110/50 8 W	641714	DN20 AC	126451	DN20 EPDM AC
135241	85	647360	230/56 8 W	641714	DN20 AC	126451	DN20 EPDM AC



2/2 way solenoid valve with forced lifting



2/2 way solenoid valve with forced lifting

Ordering Chart

Article no. Complete unit	Diagram no.	Pos. 1 Spool set		Pos. 2 Plug set		Pos. 3 Consumable parts	
		Order no.	V/Hz / Power	Order no.	Orifice / Current type	Order no.	Orifice / Material / Current type
135242	87	642665	24/56 18 W	644217	DN40 AC	644227	DN40 FKM AC
135243	87	644207	110/56 18 W	644217	DN40 AC	644227	DN40 FKM AC
135244	87	644205	230/50 18 W	644217	DN40 AC	644227	DN40 FKM AC
135245	87	642665	24/56 18 W	644217	DN40 AC	644227	DN40 FKM AC
135246	87	644207	110/56 18 W	644217	DN40 AC	644227	DN40 FKM AC
135247	87	644205	230/50 18 W	644217	DN40 AC	644227	DN40 FKM AC
135775	85	126430	230/50 8 W	641753	DN13 AC	126443	DN13 NBR AC
135776	85	643532	42/50 8 W	641753	DN13 AC	126443	DN13 NBR AC
136676	85	644205	230/50 18 W			151825	DN20 NBR AC
136677	85	642665	24/56 18 W	166043	DN20 AC	151825	DN20 NBR AC
136679	85	644205	230/50 18 W			151825	DN20 NBR AC
138410	87	646766	24/DC 72/4 W	646962	DN25 DC	646956	DN25 NBR DC
138411	87	646766	24/DC 72/4 W			646956	DN25 NBR DC
138412	87	646766	24/DC 72/4 W			646958	DN25 EPDM DC
138413	87	646766	24/DC 72/4 W			646958	DN25 EPDM DC
138414	87	646766	24/DC 72/4 W	646962	DN25 DC	646957	DN25 FKM DC
138415	87	646766	24/DC 72/4 W			646957	DN25 FKM DC
138416	87	646766	24/DC 72/4 W	646963	DN40 DC	646959	DN40 NBR DC
138417	87	646766	24/DC 72/4 W	646963	DN40 DC	646959	DN40 NBR DC
138418	87	646766	24/DC 72/4 W			646961	DN40 EPDM DC
138419	87	646766	24/DC 72/4 W			646961	DN40 EPDM DC
138420	87	646766	24/DC 72/4 W	646963	DN40 DC	646960	DN40 FKM DC
138421	87	646766	24/DC 72/4 W	646963	DN40 DC	646960	DN40 FKM DC
138694	87	646849	42/50 18 W			644225	DN25 EPDM AC
138756	85	646766	24/DC 72/4 W			152273	DN20 NBR DC/UC
139096	86	144416	24/DC 10 W	126458	DN10 DC	126442	DN10 EPDM DC/UC
139097	86	646837	24/56 8 W	126455	DN10 AC	126439	DN10 EPDM AC

Article no. Complete unit	Diagram no.	Pos. 1 Spool set		Pos. 2 Plug set		Pos. 3 Consumable parts	
		Order no.	V/Hz / Power	Order no.	Orifice / Current type	Order no.	Orifice / Material / Current type
139098	86	231300	110/50 8 W	126455	DN10 AC	126439	DN10 EPDM AC
139099	86	647360	230/56 8 W	126455	DN10 AC	126439	DN10 EPDM AC
139100	86	126464	24/DC 10 W	126458	DN10 DC	126440	DN10 NBR DC/UC
139101	86	126436	24/50 8 W	126455	DN10 AC	126437	DN10 NBR AC
139102	86	126432	110/50 8 W	126455	DN10 AC	126437	DN10 NBR AC
139103	86	645558	230/56 8 W	126455	DN10 AC	126437	DN10 NBR AC
139104	86	126464	24/DC 10 W	126458	DN10 DC	126441	DN10 FKM DC/UC
139105	86	126436	24/50 8 W	126455	DN10 AC	126438	DN10 FKM AC
139106	86	126432	110/50 8 W	126455	DN10 AC	126438	DN10 FKM AC
139107	86	645558	230/56 8 W	126455	DN10 AC	126438	DN10 FKM AC
140180	85	126464	24/DC 10 W	641711	DN20 DC	126452	DN20 NBR DC/UC
140765	85	646780	12/DC 10 W	641709	DN20 DC	126452	DN20 NBR DC/UC
141163	86	144416	24/DC 10 W	161263	DN10 DC	126442	DN10 EPDM DC/UC
141164	86	646837	24/56 8 W			126439	DN10 EPDM AC
141165	86	231300	110/50 8 W			126439	DN10 EPDM AC
141166	86	231310	230/50 8 W			126439	DN10 EPDM AC
141167	86	144416	24/DC 10 W			126442	DN10 EPDM DC/UC
141168	86	646837	24/56 8 W			126439	DN10 EPDM AC
141169	86	231300	110/50 8 W			126439	DN10 EPDM AC
141170	86	231310	230/50 8 W			126439	DN10 EPDM AC
141171	86	144416	24/DC 10 W	161263	DN10 DC	126442	DN10 EPDM DC/UC
141172	86	646837	24/56 8 W			126439	DN10 EPDM AC
141173	86	231300	110/50 8 W			126439	DN10 EPDM AC
141174	86	231310	230/50 8 W			126439	DN10 EPDM AC
141175	86	126464	24/DC 10 W			126440	DN10 NBR DC/UC
141176	86	126436	24/50 8 W			126437	DN10 NBR AC

2/2 way solenoid valve with forced lifting



Ordering Chart

Article no. Complete unit	Diagram no.	Pos. 1 Spool set		Pos. 2 Plug set		Pos. 3 Consumable parts	
		Order no.	V/Hz / Power	Order no.	Orifice / Current type	Order no.	Orifice / Material / Current type
141178	86	645558	230/56 8 W			126437	DN10 NBR AC
141179	86	126464	24/DC 10 W	161263	DN10 DC	126440	DN10 NBR DC/UC
141180	86	126436	24/50 8 W			126437	DN10 NBR AC
141181	86	126432	110/50 8 W			126437	DN10 NBR AC
141182	86	645558	230/56 8 W			126437	DN10 NBR AC
141183	86	126464	24/DC 10 W	161263	DN10 DC	126440	DN10 NBR DC/UC
141184	86	126436	24/50 8 W			126437	DN10 NBR AC
141185	86	126432	110/50 8 W			126437	DN10 NBR AC
141186	86	645558	230/56 8 W			126437	DN10 NBR AC
141187	86	126464	24/DC 10 W	161263	DN10 DC	126441	DN10 FKM DC/UC
141188	86	126436	24/50 8 W			126438	DN10 FKM AC
141189	86	126432	110/50 8 W			126438	DN10 FKM AC
141190	86	645558	230/56 8 W			126438	DN10 FKM AC
141191	86	126464	24/DC 10 W	161263	DN10 DC	126441	DN10 FKM DC/UC
141192	86	126436	24/50 8 W			126438	DN10 FKM AC
141193	86	126432	110/50 8 W			126438	DN10 FKM AC
141194	86	645558	230/56 8 W			126438	DN10 FKM AC
141195	86	126464	24/DC 10 W	161263	DN10 DC	126441	DN10 FKM DC/UC
141196	86	126436	24/50 8 W			126438	DN10 FKM AC
141197	86	126432	110/50 8 W			126438	DN10 FKM AC
141198	86	645558	230/56 8 W			126438	DN10 FKM AC
141199	85	144416	24/DC 10 W			146002	DN13 EPDM DC
141200	85	646837	24/56 8 W			151003	DN13 EPDM AC
141201	85	231300	110/50 8 W			151003	DN13 EPDM AC
141202	85	231310	230/50 8 W			151003	DN13 EPDM AC
141203	85	144416	24/DC 10 W			146002	DN13 EPDM DC
141205	85	231300	110/50 8 W			151003	DN13 EPDM AC

Article no. Complete unit	Diagram no.	Pos. 1 Spool set		Pos. 2 Plug set		Pos. 3 Consumable parts	
		Order no.	V/Hz / Power	Order no.	Orifice / Current type	Order no.	Orifice / Material / Current type
141206	85	231310	230/50 8 W			151003	DN13 EPDM AC
141207	85	126464	24/DC 10 W			153402	DN13 EPDM AC
141208	85	126436	24/50 8 W	241282	DN13 AC	164407	DN13 NBR AC
141209	85	126432	110/50 8 W	241282	DN13 AC	164407	DN13 NBR AC
141210	85	645558	230/56 8 W	241282	DN13 AC	164407	DN13 NBR AC
141211	85	126464	24/DC 10 W			153402	DN13 NBR DC
141212	85	126436	24/50 8 W	241282	DN13 AC	164407	DN13 NBR AC
141213	85	126432	110/50 8 W	241282	DN13 AC	164407	DN13 NBR AC
141214	85	645558	230/56 8 W	241282	DN13 AC	164407	DN13 NBR AC
141215	85	126464	24/DC 10 W			151955	DN13 FKM DC
141216	85	126436	24/50 8 W	241282	DN13 AC	158172	DN13 FKM AC
141218	85	645558	230/56 8 W	241282	DN13 AC	158172	DN13 FKM AC
141223	85	144416	24/DC 10 W			164433	DN20.0 EPDM DC
141224	85	646837	24/56 8 W	226783	DN20 AC	163019	DN20.0 EPDM AC
141225	85	231300	110/50 8 W	226783	DN20 AC	163019	DN20.0 EPDM AC
141226	85	231310	230/50 8 W	226783	DN20 AC	163019	DN20.0 EPDM AC
141227	85	144416	24/DC 10 W			164433	DN20.0 EPDM DC
141228	85	646837	24/56 8 W	226783	DN20 AC	163019	DN20.0 EPDM AC
141229	85	231300	110/50 8 W	226783	DN20 AC	163019	DN20.0 EPDM AC
141230	85	231310	230/50 8 W	226783	DN20 AC	163019	DN20.0 EPDM AC
141231	85	126464	24/DC 10 W	242950	DN20 DC	164432	DN20.0 NBR DC
141232	85	126436	24/50 8 W			164431	DN20.0 NBR AC
141233	85	126432	110/50 8 W			164431	DN20.0 NBR AC
141234	85	645558	230/56 8 W			164431	DN20.0 NBR AC
141235	85	126464	24/DC 10 W	242950	DN20 DC	164432	DN20.0 NBR DC
141236	85	126436	24/50 8 W			164431	DN20.0 NBR AC
141238	85	645558	230/56 8 W			164431	DN20.0 NBR AC



2/2 way solenoid valve with forced lifting

Ordering Chart

Article no. Complete unit	Diagram no.	Pos. 1 Spool set		Pos. 2 Plug set		Pos. 3 Consumable parts	
		Order no.	V/Hz / Power	Order no.	Orifice / Current type	Order no.	Orifice / Material / Current type
141239	85	126464	24/DC 10 W	242950	DN20 DC	157491	DN20 FKM DC
141240	85	126436	24/50 8 W			163485	DN20 FKM AC
141241	85	126432	110/50 8 W			163485	DN20 FKM AC
141242	85	645558	230/56 8 W			163485	DN20 FKM AC
141243	85	126464	24/DC 10 W	242950	DN20 DC	157491	DN20 FKM DC
141244	85	126436	24/50 8 W			163485	DN20 FKM AC
141245	85	126432	110/50 8 W			163485	DN20 FKM AC
141246	85	645558	230/56 8 W			163485	DN20 FKM AC
141308	85	646780	12/DC 10 W	126463	DN13 DC	126448	DN13 EPDM DC/ UC
142090	85	126430	230/50 8 W	641754	DN13 AC	126444	DN13 FKM AC
142156	85	126464	24/DC 10 W	126462	DN13 DC	126447	DN13 FKM DC/UC
142612	85	126436	24/50 8 W			126445	DN13 EPDM AC
143215	85	232381	230/60 8 W	641710	DN20 AC	126449	DN20 NBR AC
144118	85	126430	230/50 8 W			172773	DN20 EPDM AC
144151	85	126430	230/50 8 W			172773	DN20 EPDM AC
144166	85	126430	230/50 8 W			225272	DN13 EPDM AC
144641	85	126430	230/50 8 W			225272	DN13 EPDM AC
147562	85	126430	230/50 8 W			126445	DN13 EPDM AC
154340	86	126430	230/50 8 W			159822	DN10 EPDM AC
155083	86			126455	DN10 AC	126437	DN10 NBR AC
155174	86	126436	24/50 8 W	126455	DN10 AC	169256	DN10 NBR AC
159686	86	126464	24/DC 10 W	126458	DN10 DC	159687	DN10 FKM DC
162982	87	644205	230/50 18 W			644228	DN40 EPDM AC
163001	85	231310	230/50 8 W	641714	DN20 AC	126451	DN20 EPDM AC
163148	86	144416	24/DC 10 W	126458	DN10 DC		
169045	85	126464	24/DC 10 W			126448	DN13 EPDM DC/ UC
171484	85	144416	24/DC 10 W	641713	DN20 DC	126454	DN20 EPDM DC/ UC

Article no. Complete unit	Diagram no.	Pos. 1 Spool set		Pos. 2 Plug set		Pos. 3 Consumable parts	
		Order no.	V/Hz / Power	Order no.	Orifice / Current type	Order no.	Orifice / Material / Current type
178899	85	189269	24/50 16 W			143466	DN13 NBR AC
178900	85	189268	24/DC 16 W			152570	DN13 NBR DC
178902	85	215365	230/50 16 W			143466	DN13 NBR AC
178903	85	189269	24/50 16 W			143466	DN13 NBR AC
178904	85	189268	24/DC 16 W			152570	DN13 NBR DC
178905	85	215365	230/50 16 W			143466	DN13 NBR AC
178906	85	189269	24/50 16 W	166043	DN20 AC	151825	DN20 NBR AC
178907	85	189268	24/DC 16 W			152273	DN20 NBR DC/UC
178908	85	215365	230/50 16 W	166043	DN20 AC	151825	DN20 NBR AC
178909	85	189269	24/50 16 W			151825	DN20 NBR AC
178910	85	189268	24/DC 16 W			152273	DN20 NBR DC/UC
178911	85	215365	230/50 16 W			151825	DN20 NBR AC
178912	87	189269	24/50 16 W			644225	DN25 EPDM AC
178913	87	205578	24/UC 72/4 W			646958	DN25 EPDM DC
178915	87	215365	230/50 16 W			644225	DN25 EPDM AC
178916	87	189269	24/50 16 W			644225	DN25 EPDM AC
178917	87	205578	24/UC 72/4 W			646958	DN25 EPDM DC
178919	87	215365	230/50 16 W			644225	DN25 EPDM AC
178920	87	189269	24/50 16 W	644216	DN25 AC	644223	DN25 NBR AC
178921	87	205578	24/UC 72/4 W	646962	DN25 DC	646956	DN25 NBR DC
178923	87	215365	230/50 16 W	644216	DN25 AC	644223	DN25 NBR AC
178924	87	189269	24/50 16 W			644223	DN25 NBR AC
178925	87	205578	24/UC 72/4 W			646956	DN25 NBR DC
178927	87	215365	230/50 16 W			644223	DN25 NBR AC
178928	87	189269	24/50 16 W	644216	DN25 AC	644224	DN25 FKM AC
178929	87	205578	24/UC 72/4 W	646962	DN25 DC	646957	DN25 FKM DC
178931	87	215365	230/50 16 W	644216	DN25 AC	644224	DN25 FKM AC
178932	87	189269	24/50 16 W			644224	DN25 FKM AC

2/2 way solenoid valve with forced lifting



Ordering Chart

Article no. Complete unit	Diagram no.	Pos. 1 Spool set		Pos. 2 Plug set		Pos. 3 Consumable parts	
		Order no.	V/Hz / Power	Order no.	Orifice / Current type	Order no.	Orifice / Material / Current type
178933	87	205578	24/UC 72/4 W			646957	DN25 FKM DC
178935	87	215365	230/50 16 W			644224	DN25 FKM AC
178936	87	189269	24/50 16 W			644228	DN40 EPDM AC
178937	87	205578	24/UC 72/4 W			646961	DN40 EPDM DC
178939	87	215365	230/50 16 W			644228	DN40 EPDM AC
178940	87	189269	24/50 16 W			644228	DN40 EPDM AC
178941	87	205578	24/UC 72/4 W			646961	DN40 EPDM DC
178945	87	215365	230/50 16 W			644228	DN40 EPDM AC
178946	87	189269	24/50 16 W	644217	DN40 AC	644226	DN40 NBR AC
178947	87	205578	24/UC 72/4 W	646963	DN40 DC	646959	DN40 NBR DC
178950	87	215365	230/50 16 W	644217	DN40 AC	644226	DN40 NBR AC
178951	87	189269	24/50 16 W	644217	DN40 AC	644226	DN40 NBR AC
178953	87	205578	24/UC 72/4 W	646963	DN40 DC	646959	DN40 NBR DC
178956	87	215365	230/50 16 W	644217	DN40 AC	644226	DN40 NBR AC
178957	87	189269	24/50 16 W	644217	DN40 AC	644227	DN40 FKM AC
178959	87	205578	24/UC 72/4 W	646963	DN40 DC	646960	DN40 FKM DC
178963	87	215365	230/50 16 W	644217	DN40 AC	644227	DN40 FKM AC
178965	87	189269	24/50 16 W	644217	DN40 AC	644227	DN40 FKM AC
178967	87	205578	24/UC 72/4 W	646963	DN40 DC	646960	DN40 FKM DC
178970	87	215365	230/50 16 W	644217	DN40 AC	644227	DN40 FKM AC
194475	85			126463	DN13 DC	126448	DN13 EPDM DC/ UC
204046	86	126436	24/50 8 W	126455	DN10 AC	126437	DN10 NBR AC
205351	85	189270	230/50 16 W			164370	DN13 EPDM AC
208694	85	189268	24/DC 16 W			164372	DN13 FKM DC
213132	85	189268	24/DC 16 W			162695	DN13 EPDM DC
218173	86	126430	230/50 8 W			159822	DN10 EPDM AC
221274	86	126430	230/50 8 W			126437	DN10 NBR AC

Article no. Complete unit	Diagram no.	Pos. 1 Spool set		Pos. 2 Plug set		Pos. 3 Consumable parts	
		Order no.	V/Hz / Power	Order no.	Orifice / Current type	Order no.	Orifice / Material / Current type
221598	85	126464	24/DC 10 W	126458	DN10 DC	126440	DN10 NBR DC/UC
221599	85	126436	24/50 8 W	126455	DN10 AC	126437	DN10 NBR AC
221601	85	126430	230/50 8 W	126455	DN10 AC	126437	DN10 NBR AC
221602	85	126464	24/DC 10 W	126461	DN13 DC	126446	DN13 NBR DC/UC
221603	85	126436	24/50 8 W	641753	DN13 AC	126443	DN13 NBR AC
221605	85	126430	230/50 8 W	641753	DN13 AC	126443	DN13 NBR AC
221606	85	126464	24/DC 10 W	126458	DN10 DC	126440	DN10 NBR DC/UC
221607	85	126436	24/50 8 W	126455	DN10 AC	126437	DN10 NBR AC
221609	85	126430	230/50 8 W	126455	DN10 AC	126437	DN10 NBR AC
221610	85	144416	24/DC 10 W	126458	DN10 DC	126441	DN10 FKM DC/UC
221611	85	231301	024/50 8 W	126455	DN10 AC	126438	DN10 FKM AC
221613	85	231310	230/50 8 W	126455	DN10 AC	126438	DN10 FKM AC
221614	85	144416	24/DC 10 W	126458	DN10 DC	126441	DN10 FKM DC/UC
221615	85	231301	024/50 8 W	126455	DN10 AC	126438	DN10 FKM AC
221617	85	231310	230/50 8 W	126455	DN10 AC	126438	DN10 FKM AC
221618	85	126464	24/DC 10 W	126461	DN13 DC	126446	DN13 NBR DC/UC
221619	85	126436	24/50 8 W	641753	DN13 AC	126443	DN13 NBR AC
221621	85	126430	230/50 8 W	641753	DN13 AC	126443	DN13 NBR AC
221622	85	144416	24/DC 10 W	126462	DN13 DC	126447	DN13 FKM DC/UC
221623	85	231301	024/50 8 W	641754	DN13 AC	126444	DN13 FKM AC
221625	85	231310	230/50 8 W	641754	DN13 AC	126444	DN13 FKM AC
221626	85	144416	24/DC 10 W	126462	DN13 DC	126447	DN13 FKM DC/UC
221627	85	231301	024/50 8 W	641754	DN13 AC	126444	DN13 FKM AC
221629	85	231310	230/50 8 W	641754	DN13 AC	126444	DN13 FKM AC
221630	85	126464	24/DC 10 W	641709	DN20 DC	126452	DN20 NBR DC/UC
221631	85	126436	24/50 8 W	641710	DN20 AC	126449	DN20 NBR AC
221633	85	126430	230/50 8 W	641710	DN20 AC	126449	DN20 NBR AC



2/2 way solenoid valve with forced lifting

Ordering Chart

Article no. Complete unit	Diagram no.	Pos. 1 Spool set		Pos. 2 Plug set		Pos. 3 Consumable parts	
		Order no.	V/Hz / Power	Order no.	Orifice / Current type	Order no.	Orifice / Material / Current type
221634	85	126464	24/DC 10 W	641709	DN20 DC	126452	DN20 NBR DC/UC
221635	85	126436	24/50 8 W	641710	DN20 AC	126449	DN20 NBR AC
221637	85	126430	230/50 8 W	641710	DN20 AC	126449	DN20 NBR AC
221638	85	144416	24/DC 10 W	641711	DN20 DC	126453	DN20 FKM DC/UC
221639	85	231301	024/50 8 W	641712	DN20 AC	126450	DN20 FKM AC
221641	85	231310	230/50 8 W	641712	DN20 AC	126450	DN20 FKM AC
221642	85	144416	24/DC 10 W	641711	DN20 DC	126453	DN20 FKM DC/UC
221643	85	231301	024/50 8 W	641712	DN20 AC	126450	DN20 FKM AC
221645	85	231310	230/50 8 W	641712	DN20 AC	126450	DN20 FKM AC
221646	85	126464	24/DC 10 W	126458	DN10 DC	126442	DN10 EPDM DC/ UC
221647	85	126436	24/50 8 W	126455	DN10 AC	126439	DN10 EPDM AC
221649	85	126430	230/50 8 W	126455	DN10 AC	126439	DN10 EPDM AC
221650	85	126464	24/DC 10 W	126458	DN10 DC	126442	DN10 EPDM DC/ UC
221651	85	126436	24/50 8 W	126455	DN10 AC	126439	DN10 EPDM AC
221653	85	126430	230/50 8 W	126455	DN10 AC	126439	DN10 EPDM AC
221654	85	126464	24/DC 10 W	126463	DN13 DC	126448	DN13 EPDM DC/ UC
221655	85	126436	24/50 8 W	641755	DN13 AC	126445	DN13 EPDM AC
221657	85	126430	230/50 8 W	641755	DN13 AC	126445	DN13 EPDM AC
221658	85	126464	24/DC 10 W	126463	DN13 DC	126448	DN13 EPDM DC/ UC
221659	85	126436	24/50 8 W	641755	DN13 AC	126445	DN13 EPDM AC
221661	85	126430	230/50 8 W	641755	DN13 AC	126445	DN13 EPDM AC
221662	85	126464	24/DC 10 W	641713	DN20 DC	126454	DN20 EPDM DC/ UC
221663	85	126436	24/50 8 W	641714	DN20 AC	126451	DN20 EPDM AC
221665	85	126430	230/50 8 W	641714	DN20 AC	126451	DN20 EPDM AC
221666	85	126464	24/DC 10 W	641713	DN20 DC	126454	DN20 EPDM DC/ UC
221667	85	126436	24/50 8 W	641714	DN20 AC	126451	DN20 EPDM AC

Article no. Complete unit	Diagram no.	Pos. 1 Spool set		Pos. 2 Plug set		Pos. 3 Consumable parts	
		Order no.	V/Hz / Power	Order no.	Orifice / Current type	Order no.	Orifice / Material / Current type
221669	85	126430	230/50 8 W	641714	DN20 AC	126451	DN20 EPDM AC
221670	85	126464	24/DC 10 W	126458	DN10 DC	126442	DN10 EPDM DC/ UC
221671	85	126436	24/50 8 W	126455	DN10 AC	126439	DN10 EPDM AC
221673	85	126430	230/50 8 W	126455	DN10 AC	126439	DN10 EPDM AC
221674	85	126464	24/DC 10 W	126458	DN10 DC	126440	DN10 NBR DC/UC
221675	85	126436	24/50 8 W	126455	DN10 AC	126437	DN10 NBR AC
221677	85	126430	230/50 8 W	126455	DN10 AC	126437	DN10 NBR AC
221678	85	144416	24/DC 10 W	126458	DN10 DC	126441	DN10 FKM DC/UC
221679	85	231301	024/50 8 W	126455	DN10 AC	126438	DN10 FKM AC
221681	85	231310	230/50 8 W	126455	DN10 AC	126438	DN10 FKM AC
221717	87	189269	24/50 16 W	239258	DN25 AC	644225	DN25 EPDM AC
221720	87	215365	230/50 16 W	239258	DN25 AC	644225	DN25 EPDM AC
221721	87	189269	24/50 16 W	239258	DN25 AC	644225	DN25 EPDM AC
221724	87	215365	230/50 16 W	239258	DN25 AC	644225	DN25 EPDM AC
221725	87	189269	24/50 16 W	644216	DN25 AC	644223	DN25 NBR AC
221728	87	215365	230/50 16 W	644216	DN25 AC	644223	DN25 NBR AC
221729	87	189269	24/50 16 W	644216	DN25 AC	644223	DN25 NBR AC
221732	87	215365	230/50 16 W	644216	DN25 AC	644223	DN25 NBR AC
221733	87	189269	24/50 16 W	644216	DN25 AC	644224	DN25 FKM AC
221736	87	215365	230/50 16 W	644216	DN25 AC	644224	DN25 FKM AC
221737	87	189269	24/50 16 W	644216	DN25 AC	644224	DN25 FKM AC
221740	87	215365	230/50 16 W	644216	DN25 AC	644224	DN25 FKM AC
221741	87	189269	24/50 16 W	239296	DN40 AC	644228	DN40 EPDM AC
221745	87	215365	230/50 16 W	239296	DN40 AC	644228	DN40 EPDM AC
221746	87	189269	24/50 16 W	239296	DN40 AC	644228	DN40 EPDM AC
221749	87	215365	230/50 16 W	239296	DN40 AC	644228	DN40 EPDM AC
221750	87	189269	24/50 16 W	644217	DN40 AC	644226	DN40 NBR AC
221753	87	215365	230/50 16 W	644217	DN40 AC	644226	DN40 NBR AC

2/2 way solenoid valve with forced lifting



Ordering Chart

Article no. Complete unit	Diagram no.	Pos. 1 Spool set		Pos. 2 Plug set		Pos. 3 Consumable parts	
		Order no.	V/Hz / Power	Order no.	Orifice / Current type	Order no.	Orifice / Material / Current type
221754	87	189269	24/50 16 W	644217	DN40 AC	644226	DN40 NBR AC
221757	87	215365	230/50 16 W	644217	DN40 AC	644226	DN40 NBR AC
221758	85	144416	24/DC 10 W	161263	DN10 DC	126441	DN10 FKM DC/UC
221759	85	231301	024/50 8 W	126459	DN10 AC	126438	DN10 FKM AC
221761	85	231310	230/50 8 W	126459	DN10 AC	126438	DN10 FKM AC
221762	85	144416	24/DC 10 W	247018	DN13 DC	151955	DN13 FKM DC
221763	85	231301	024/50 8 W	241282	DN13 AC	158172	DN13 FKM AC
221765	85	231310	230/50 8 W	241282	DN13 AC	158172	DN13 FKM AC
222122	85	144416	24/DC 10 W	247024	DN20 DC	157491	DN20 FKM DC
222123	85	231301	024/50 8 W	247025	DN20 AC	163485	DN20 FKM AC
222125	85	231310	230/50 8 W	247025	DN20 AC	163485	DN20 FKM AC
222126	85	144416	24/DC 10 W	247024	DN20 DC	157491	DN20 FKM DC
222127	85	231301	024/50 8 W	247025	DN20 AC	163485	DN20 FKM AC
222129	85	231310	230/50 8 W	247025	DN20 AC	163485	DN20 FKM AC
222143	87	215365	230/50 16 W	247027	DN25 AC	237734	DN25 FKM AC
222145	87	215365	230/50 16 W	247027	DN25 AC	237734	DN25 FKM AC
222147	87	215365	230/50 16 W	247031	DN40 AC	237740	DN40 FKM AC
222149	87	215365	230/50 16 W	247031	DN40 AC	237740	DN40 FKM AC
222150	85	126464	24/DC 10 W	161263	DN10 DC	126440	DN10 NBR DC/UC
222151	85	126436	24/50 8 W	126459	DN10 AC	126437	DN10 NBR AC
222152	85	126430	230/50 8 W	126459	DN10 AC	126437	DN10 NBR AC
222153	85	126464	24/DC 10 W	161263	DN10 DC	126442	DN10 EPDM DC/ UC
222154	85	126436	24/50 8 W	126459	DN10 AC	126439	DN10 EPDM AC
222155	85	126430	230/50 8 W	126459	DN10 AC	126439	DN10 EPDM AC
222156	85	126464	24/DC 10 W	247011	DN13 DC	153402	DN13 EPDM AC
222157	85	126436	24/50 8 W	247016	DN13 AC	164407	DN13 NBR AC
222158	85	126430	230/50 8 W	247016	DN13 AC	164407	DN13 NBR AC

Article no. Complete unit	Diagram no.	Pos. 1 Spool set		Pos. 2 Plug set		Pos. 3 Consumable parts	
		Order no.	V/Hz / Power	Order no.	Orifice / Current type	Order no.	Orifice / Material / Current type
222159	85	126464	24/DC 10 W	247019	DN13 DC	146002	DN13 EPDM DC
222160	85	126436	24/50 8 W	247021	DN13 AC	151003	DN13 EPDM AC
222161	85	126430	230/50 8 W	247021	DN13 AC	151003	DN13 EPDM AC
222168	85	126464	24/DC 10 W	247022	DN20 DC	164432	DN20.0 NBR DC
222169	85	126436	24/50 8 W	247023	DN20 AC	164431	DN20.0 NBR AC
222170	85	126430	230/50 8 W	247023	DN20 AC	164431	DN20.0 NBR AC
222171	85	126464	24/DC 10 W	247022	DN20 DC	164432	DN20.0 NBR DC
222172	85	126436	24/50 8 W	247023	DN20 AC	164431	DN20.0 NBR AC
222173	85	126430	230/50 8 W	247023	DN20 AC	164431	DN20.0 NBR DC
222174	85	126464	24/DC 10 W	242950	DN20 DC	164433	DN20.0 EPDM DC
222175	85	126436	24/50 8 W	226783	DN20 AC	163019	DN20.0 EPDM AC
222176	85	126430	230/50 8 W	226783	DN20 AC	163019	DN20.0 EPDM AC
222177	85	126464	24/DC 10 W	242950	DN20 DC	164433	DN20.0 EPDM DC
222178	85	126436	24/50 8 W	226783	DN20 AC	163019	DN20.0 EPDM AC
222179	85	126430	230/50 8 W	226783	DN20 AC	163019	DN20.0 EPDM AC
222193	87	215365	230/50 16 W	247027	DN25 AC	237731	DN25 NBR AC
222195	87	215365	230/50 16 W	247030	DN25 AC	237728	DN25 EPDM AC
222197	87	215365	230/50 16 W	247027	DN25 AC	237731	DN25 NBR AC
222199	87	215365	230/50 16 W	247030	DN25 AC	237728	DN25 EPDM AC
222201	87	215365	230/50 16 W	247031	DN40 AC	237738	DN40 NBR AC
222203	87	215365	230/50 16 W	247035	DN40 AC	237736	DN40 EPDM AC
222205	87	215365	230/50 16 W	247031	DN40 AC	237738	DN40 NBR AC
222207	87	215365	230/50 16 W	247035	DN40 AC	237736	DN40 EPDM AC
223530	85	126430	230/50 8 W	641710	DN20 AC	224497	DN20 NBR AC
223558	86	647038	230/50 10 W				
227533	85	239275	24/DC 28 W	646962	DN25 DC	646956	DN25 NBR DC
227534	85	239275	24/DC 28 W	646962	DN25 DC	646956	DN25 NBR DC
227535	85	239275	24/DC 28 W	239295	DN25 DC	646958	DN25 EPDM DC



2/2 way solenoid valve with forced lifting

Ordering Chart

Article no. Complete unit	Diagram no.	Pos. 1 Spool set		Pos. 2 Plug set		Pos. 3 Consumable parts	
		Order no.	V/Hz / Power	Order no.	Orifice / Current type	Order no.	Orifice / Material / Current type
227536	85	239275	24/DC 28 W	239295	DN25 DC	646958	DN25 EPDM DC
227537	85	239275	24/DC28 W	646962	DN25 DC	646957	DN25 FKM DC
227538	85	239275	24/DC 28 W	646962	DN25 DC	646957	DN25 FKM DC
227539	85	239275	24/DC 28 W	646963	DN40 DC	646959	DN40 NBR DC
227541	85	239275	24/DC 28 W	646963	DN40 DC	646959	DN40 NBR DC
227542	85	239275	24/DC 28 W	239298	DN40 DC	646961	DN40 EPDM DC
227543	85	239275	24/DC 28 W	239298	DN40 DC	646961	DN40 EPDM DC
227544	85	239275	24/DC 28 W	247099	DN40 DC	646960	DN40 FKM DC
227545	85	239275	24/DC 28 W	247099	DN40 DC	646960	DN40 FKM DC
227546	85	239275	24/DC 28 W	247026	DN25 DC	237737	DN40 EPDM DC
227547	85	239275	24/DC 28 W	247026	DN25 DC	237741	DN40 FKM DC
227548	85	239275	24/DC 28 W	247029	DN25 DC	237730	DN25 EPDM DC
227549	85	239275	24/DC 28 W	247029	DN25 DC	237730	DN25 EPDM DC
227550	85	239275	24/DC 28 W	247026	DN25 DC	237735	DN25 FKM DC
227551	85	239275	24/DC 28 W	247026	DN25 DC	237735	DN25 FKM DC
227552	85	239275	24/DC 28 W	247032	DN40 DC	237739	DN40 NBR DC
227554	85	239275	24/DC 28 W	247032	DN40 DC	237739	DN40 NBR DC
227555	85	239275	24/DC 28 W	247033	DN40 DC	237737	DN40 EPDM DC
227556	85	239275	24/DC 28 W	247033	DN40 DC	237737	DN40 EPDM DC
227557	85	239275	24/DC 28 W	247032	DN40 DC	237741	DN40 FKM DC
227558	85	239275	24/DC 28 W	247032	DN40 DC	237741	DN40 FKM DC
227724	87	189269	24/50 16 W	644217	DN40 AC	644227	DN40 FKM AC
227726	87	215365	230/50 16 W	644217	DN40 AC	644227	DN40 FKM AC
227728	87	189269	24/50 16 W	644217	DN40 AC	644227	DN40 FKM AC
227730	87	215365	230/50 16 W	644217	DN40 AC	644227	DN40 FKM AC
228429	87	189269	24/50 16 W	247027	DN25 AC	237731	DN25 NBR AC
228430	87	189269	24/50 16 W	247027	DN25 AC	237734	DN25 FKM AC
228431	87	189269	24/50 16 W	247030	DN25 AC	237728	DN25 EPDM AC

2/2 way solenoid valve with forced lifting



Ordering Chart

Article no. Complete unit	Diagram no.	Pos. 1 Spool set		Pos. 2 Plug set		Pos. 3 Consumable parts	
		Order no.	V/Hz / Power	Order no.	Orifice / Current type	Order no.	Orifice / Material / Current type
458805	85			241282	DN13 AC		
458806	85			241282	DN13 AC		
458807	85			241282	DN13 AC		
501113	85	126464	24/DC 10 W	126461	DN13 DC	126446	DN13 NBR DC/UC



2/2 way solenoid valve for gaseous mediums

Diagram 88

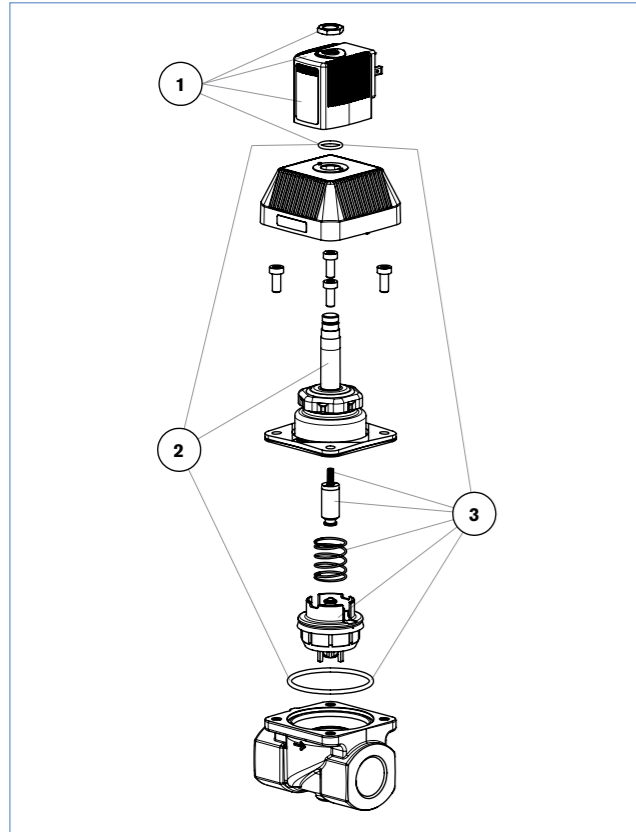


Diagram 90

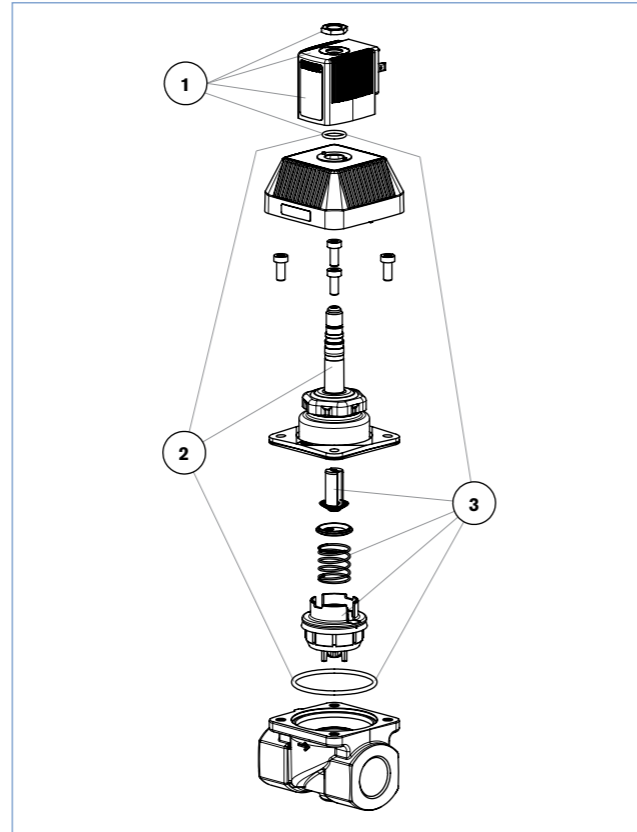


Diagram 89

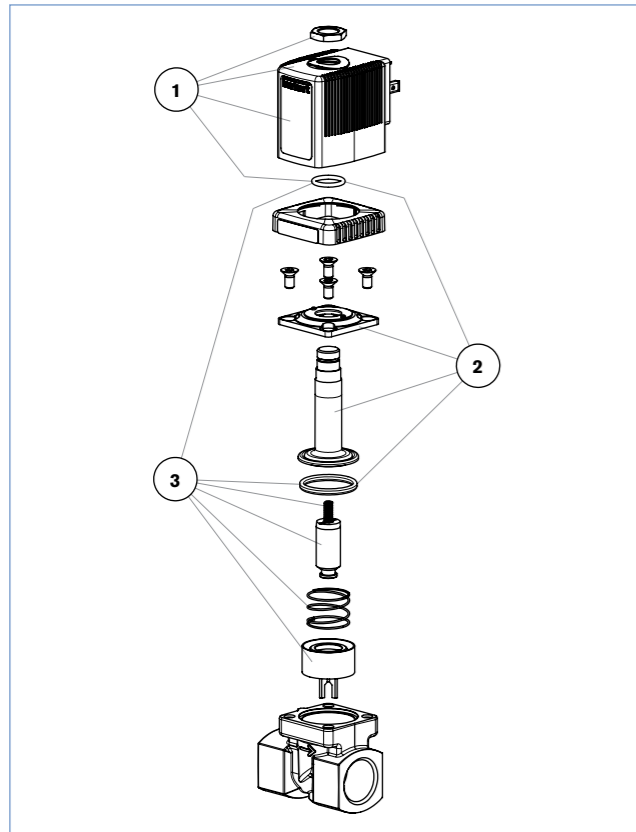
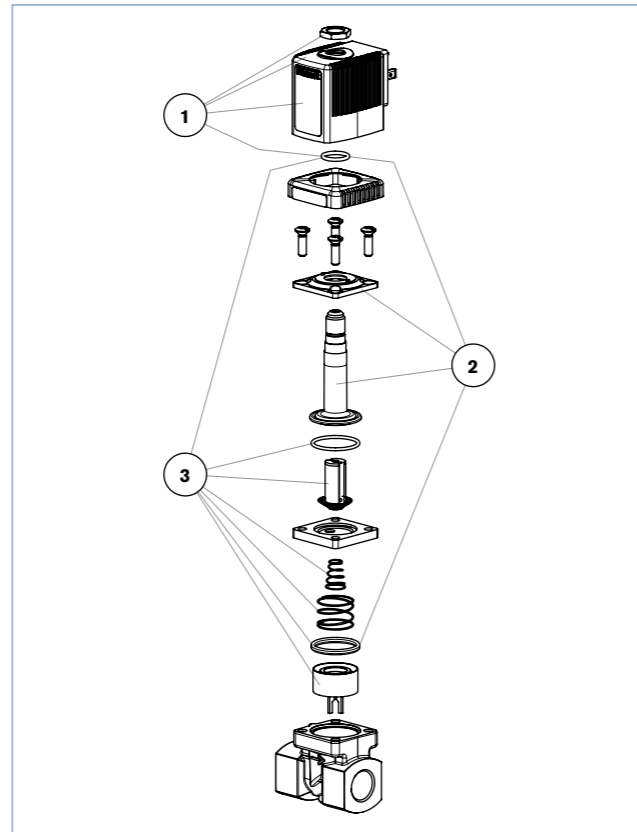


Diagram 91



2/2 way solenoid valve for gaseous mediums



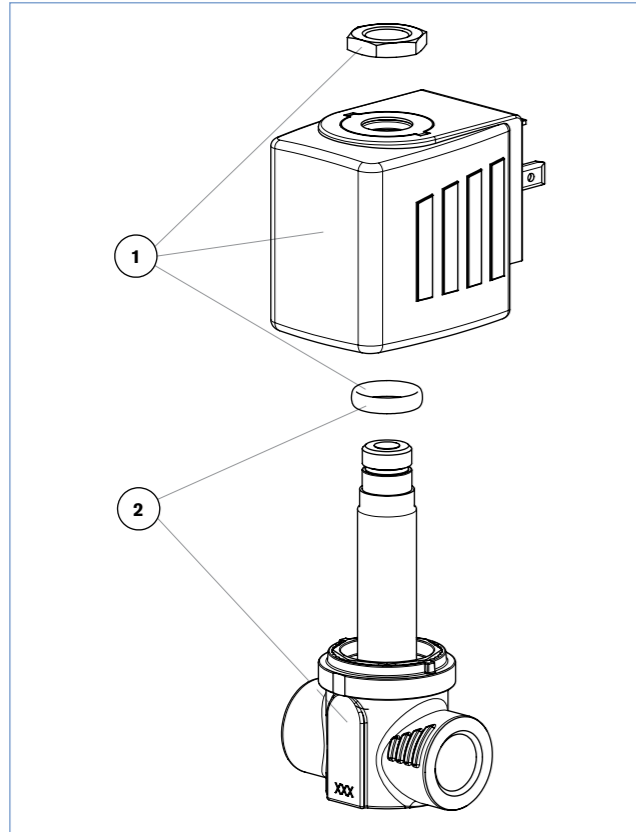
Ordering Chart

Article no. Complete unit	Diagram no.	Pos. 1 Spool set		Pos. 2 Plug set		Pos. 3 Consumable parts	
		Order no.	V/Hz / Power / Coil size	Order no.	Orifice / Material / Current type	Order no.	Orifice / Material / Circuit function / Current type
134293	89	126464	24/DC 10 W SG 6				
134294	89	126436	24/50 8 W SG 5			644156	DN10 NBR WWA AC
134295	89	126432	110/50 8 W SG 5			644156	DN10 NBR WWA AC
134296	89	645558	230/56 8 W SG 5			644156	DN10 NBR WWA AC
134297	88	126464	24/DC 10 W SG 6	644178	DN13 NBR DC	644161	DN13 NBR WWA DC
134298	88	126436	24/50 8 W SG 5	644176	DN13 NBR AC	644160	DN13 NBR WWA AC
134299	88	126432	110/50 8 W SG 5	644176	DN13 NBR AC	644160	DN13 NBR WWA AC
134300	88	645558	230/56 8 W SG 5	644176	DN13 NBR AC	644160	DN13 NBR WWA AC
134301	88	126464	24/DC 10 W SG 6			644165	DN20 NBR WWA DC
134302	88	126436	24/50 8 W SG 5			644164	DN20 NBR WWA AC
134303	88	126432	110/50 8 W SG 5			644164	DN20 NBR WWA AC
134304	88	645558	230/56 8 W SG 5			644164	DN20 NBR WWA AC
135055	89	126464	24/DC 10 W SG 6			644159	DN10 FPM WWA DC
135058	89	645558	230/56 8 W SG 5	644174	DN10 FPM AC	644158	DN10 FPM WWA AC
135059	88	126464	24/DC 10 W SG 6	644179	DN13 FPM DC	644163	DN13 FPM WWA DC
135062	88	645558	230/56 8 W SG 5	644177	DN13 FPM AC	644162	DN13 FPM WWA AC
135063	88	126464	24/DC 10 W SG 6			644167	DN20 FPM WWA DC
135064	88	126436	24/50 8 W SG 5			644166	DN20 FPM WWA AC
135066	88	645558	230/56 8 W SG 5			644166	DN20 FPM WWA AC
135155	88	126464	24/DC 10 W SG 6			644165	DN20 NBR WWA DC
135156	88	126436	24/50 8 W SG 5			644164	DN20 NBR WWA AC
135157	88	126432	110/50 8 W SG 5			644164	DN20 NBR WWA AC
135158	88	645558	230/56 8 W SG 5			644164	DN20 NBR WWA AC
135159	88	126464	24/DC 10 W SG 6			644167	DN20 FPM WWA DC
135160	88	126436	24/50 8 W SG 5			644166	DN20 FPM WWA AC
135162	88	645558	230/56 8 W SG 5			644166	DN20 FPM WWA AC
136939	91	126436	24/50 8 W SG 5				
136941	91	645558	230/56 8 W SG 5				
136942	91	126434	24/DC 8 W SG 5				
136944	91	126432	110/50 8 W SG 5				
136945	91	645558	230/56 8 W SG 5				
136946	90	126434	24/DC 8 W SG 5			645712	DN13 NBR WWB AC
136947	90	126436	24/50 8 W SG 5			645712	DN13 NBR WWB AC
136949	90	645558	230/56 8 W SG 5			645712	DN13 NBR WWB AC
136950	90	126434	24/DC 8 W SG 5				
136951	90	126436	24/50 8 W SG 5				
136952	90	126432	110/50 8 W SG 5				
136953	90	645558	230/56 8 W SG 5				



2/2 way solenoid valve, pilot-controlled, for neutral liquids and gases

Diagram 92



Ordering Chart

Article no. Complete unit	Diagram no.	Pos. 1 Spool set		Pos. 2 Fitting without coil	
		Order no.	V/Hz / Power / Coil size	Order no.	Material / Connection
177800	92	189257	24/DC 10 W SG 5	178669	Br G ¼
177801	92	646837	24/56 8 W SG 5	178668	Br G ¼
177802	92	647360	230/56 8 W SG 5	178668	Br G ¼
177803	92	189257	24/DC 10 W SG 5	178671	Br G ¾
177804	92	646837	24/56 8 W SG 5	178670	Br G ¾
177805	92	647360	230/56 8 W SG 5	178670	Br G ¾
177806	92	189257	24/DC 10 W SG 5	178673	StSt G ¼
177807	92	646837	24/56 8 W SG 5	178672	StSt G ¼
177808	92	647360	230/56 8 W SG 5	178672	StSt G ¼
184736	92	189257	24/DC 10 W SG 5	178673	StSt G ¼
184739	92	189257	24/DC 10 W SG 5	186456	StSt G ¼
184740	92	646837	24/56 8 W SG 5	186455	StSt G ¼
184741	92	647360	230/56 8 W SG 5	186455	StSt G ¼
184742	92	189258	24/DC 12 W SG 6	186458	Br G ¼
184743	92	189259	24/50 10 W SG 6	186457	Br G ¼
184744	92	189260	230/50 10 W SG 6	186457	Br G ¼
184745	92	189258	24/DC 12 W SG 6	186460	Br G ¾
184746	92	189259	24/50 10 W SG 6	186459	Br G ¾
184747	92	189260	230/50 10 W SG 6	186459	Br G ¾

Maintenance/Revisions

To preserve your system in top condition is our common goal. Therefore, we offer you an individual, tailored maintenance package.





2/2 way solenoid valve with servo diaphragm

Diagram 93

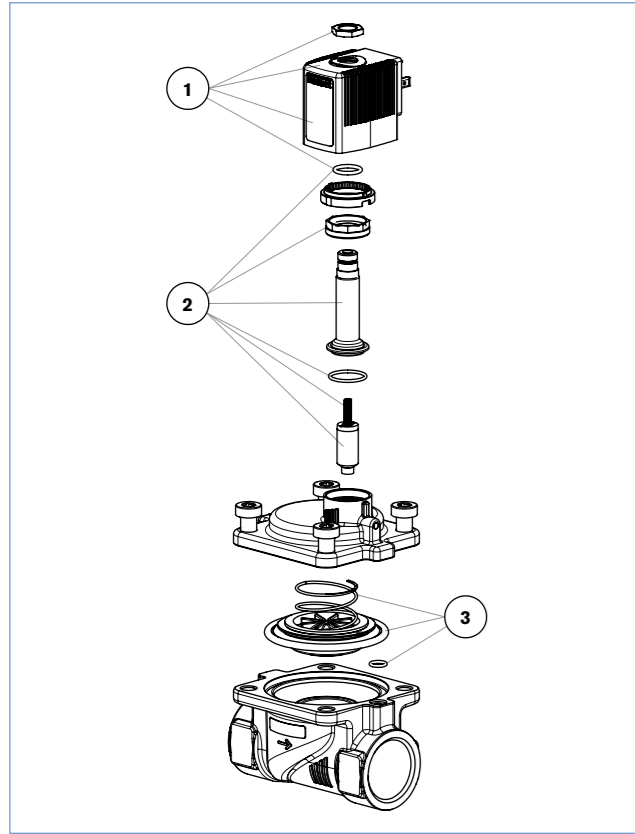
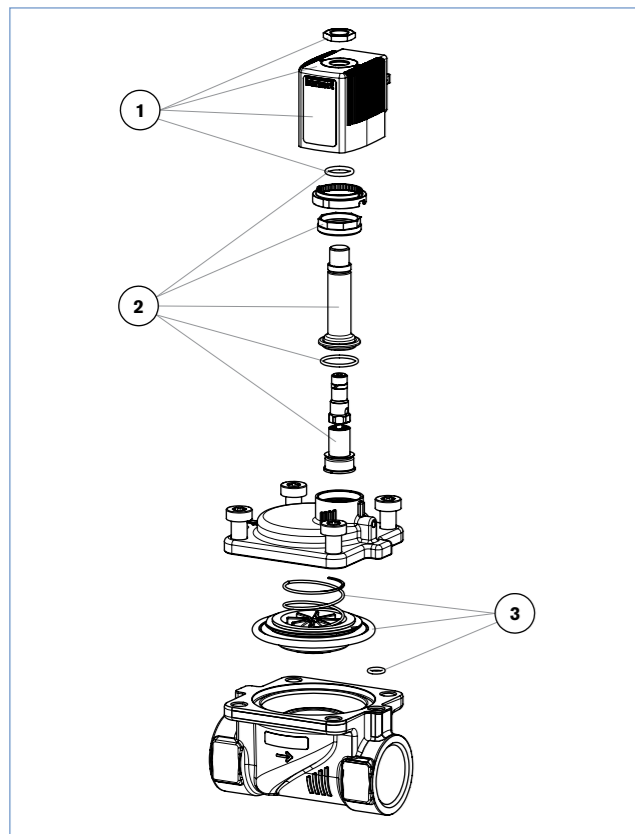


Diagram 94



Ordering Chart

Table with 8 columns: Article no. Complete unit, Diagram no., Pos. 1 Spool set (Order no., V/Hz / Power), Pos. 2 Plug set (Order no., Circuit function / Material), and Pos. 3 Consumable parts (Order no., Orifice / Material). Rows list various configurations for different flow rates and materials.

2/2 way solenoid valve with servo diaphragm



Ordering Chart

Table with 8 columns: Article no. Complete unit, Diagram no., Pos. 1 Spool set (Order no., V/Hz / Power), Pos. 2 Plug set (Order no., Circuit function / Material), and Pos. 3 Consumable parts (Order no., Orifice / Material). Rows list various configurations for different flow rates and materials.



2/2 way solenoid valve with servo diaphragm

Ordering Chart

Article no. Complete unit	Diagram no.	Pos. 1 Spool set		Pos. 2 Plug set		Pos. 3 Consumable parts	
		Order no.	V/Hz / Power	Order no.	Circuit function / Material	Order no.	Orifice / Material
221964	93	126434	24/DC 8 W	210517	WWA NBR Br	224335	DN40 NBR
221965	93	645558	230/56 8 W	210517	WWA NBR Br	224335	DN40 NBR
221966	93	126434	24/DC 8 W	210517	WWA NBR Br	224335	DN40 NBR
221967	93	645558	230/56 8 W	210517	WWA NBR Br	224335	DN40 NBR
221968	93	126434	24/DC 8 W	231316	WWA NBR StSt	239217	DN13 NBR
221969	93	645556	24/56 8 W	231316	WWA NBR StSt	239217	DN13 NBR
221970	93	645558	230/56 8 W	231316	WWA NBR StSt	239217	DN13 NBR
221971	93	126434	24/DC 8 W	231316	WWA NBR StSt	224328	DN20 NBR
221972	93	645556	24/56 8 W	231316	WWA NBR StSt	224328	DN20 NBR
221973	93	645558	230/56 8 W	231316	WWA NBR StSt	224328	DN20 NBR
221974	93	126434	24/DC 8 W	231316	WWA NBR StSt	224328	DN20 NBR
221975	93	645556	24/56 8 W	231316	WWA NBR StSt	224328	DN20 NBR
221976	93	645558	230/56 8 W	231316	WWA NBR StSt	224328	DN20 NBR
221977	93	126434	24/DC 8 W	231316	WWA NBR StSt	224332	DN25 NBR
221978	93	645556	24/56 8 W	231316	WWA NBR StSt	224332	DN25 NBR
221979	93	645558	230/56 8 W	231316	WWA NBR StSt	224332	DN25 NBR
221980	93	126434	24/DC 8 W	231316	WWA NBR StSt	224332	DN25 NBR
221981	93	645556	24/56 8 W	231316	WWA NBR StSt	224332	DN25 NBR
221982	93	645558	230/56 8 W	231316	WWA NBR StSt	224332	DN25 NBR
221983	93	126434	24/DC 8 W	231316	WWA NBR StSt	224335	DN40 NBR
221984	93	645556	24/56 8 W	231316	WWA NBR StSt	224335	DN40 NBR
221985	93	645558	230/56 8 W	231316	WWA NBR StSt	224335	DN40 NBR
221986	93	126434	24/DC 8 W	231316	WWA NBR StSt	224335	DN40 NBR
221987	93	645556	24/56 8 W	231316	WWA NBR StSt	224335	DN40 NBR
221988	93	645558	230/56 8 W	231316	WWA NBR StSt	224335	DN40 NBR
221989	93	648743	24/DC 8 W	231352	WWA FKM StSt	239218	DN13 FKM
221990	93	648837	24/56 8 W	231352	WWA FKM StSt	239218	DN13 FKM
221991	93	647360	230/56 8 W	231352	WWA FKM StSt	239218	DN13 FKM
221992	93	648743	24/DC 8 W	231352	WWA FKM StSt	224329	DN20 FKM
221993	93	648837	24/56 8 W	231352	WWA FKM StSt	224329	DN20 FKM
221994	93	647360	230/56 8 W	231352	WWA FKM StSt	224329	DN20 FKM
221995	93	648743	24/DC 8 W	231352	WWA FKM StSt	224329	DN20 FKM
221996	93	646837	24/56 8 W	231352	WWA FKM StSt	224329	DN20 FKM
221997	93	647360	230/56 8 W	231352	WWA FKM StSt	224329	DN20 FKM
221998	93	648743	24/DC 8 W	231352	WWA FKM StSt	224333	DN25 FKM
221999	93	646837	24/56 8 W	231352	WWA FKM StSt	224333	DN25 FKM
222000	93	647360	230/56 8 W	231352	WWA FKM StSt	224333	DN25 FKM
222001	93	648743	24/DC 8 W	231352	WWA FKM StSt	224333	DN25 FKM
222002	93	646837	24/56 8 W	231352	WWA FKM StSt	224333	DN25 FKM
222003	93	647360	230/56 8 W	231352	WWA FKM StSt	224333	DN25 FKM
222004	93	648743	24/DC 8 W	231352	WWA FKM StSt	224336	DN40 FKM
222005	93	646837	24/56 8 W	231352	WWA FKM StSt	224336	DN40 FKM
222006	93	647360	230/56 8 W	231352	WWA FKM StSt	224336	DN40 FKM
222007	93	648743	24/DC 8 W	231352	WWA FKM StSt	224336	DN40 FKM
222008	93	646837	24/56 8 W	231352	WWA FKM StSt	224336	DN40 FKM
222009	93	647360	230/56 8 W	231352	WWA FKM StSt	224336	DN40 FKM
222010	93	126434	24/DC 8 W	231353	WWA EPDM StSt	239219	DN13 EPDM
222011	93	645556	24/56 8 W	231353	WWA EPDM StSt	239219	DN13 EPDM
222012	93	645558	230/56 8 W	231353	WWA EPDM StSt	239219	DN13 EPDM
222013	93	126434	24/DC 8 W	231353	WWA EPDM StSt	224331	DN20 EPDM
222014	93	645556	24/56 8 W	231353	WWA EPDM StSt	224331	DN20 EPDM
222015	93	645558	230/56 8 W	231353	WWA EPDM StSt	224331	DN20 EPDM
222016	93	126434	24/DC 8 W	231353	WWA EPDM StSt	224331	DN20 EPDM
222017	93	645556	24/56 8 W	231353	WWA EPDM StSt	224331	DN20 EPDM
222018	93	645558	230/56 8 W	231353	WWA EPDM StSt	224331	DN20 EPDM
222019	93	126434	24/DC 8 W	231353	WWA EPDM StSt	224334	DN25 EPDM
222020	93	645556	24/56 8 W	231353	WWA EPDM StSt	224334	DN25 EPDM
222021	93	645558	230/56 8 W	231353	WWA EPDM StSt	224334	DN25 EPDM
222022	93	126434	24/DC 8 W	231353	WWA EPDM StSt	224334	DN25 EPDM

2/2 way solenoid valve with servo diaphragm

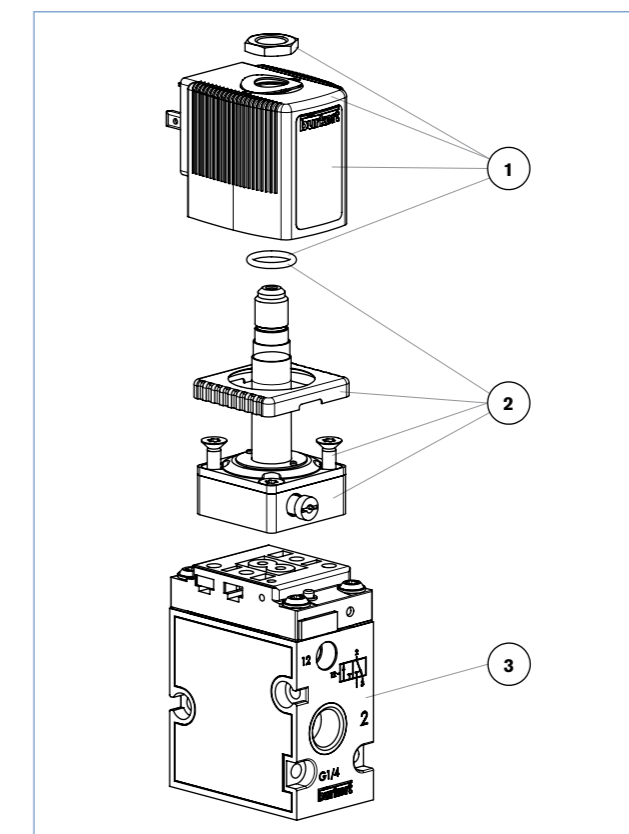
Ordering Chart

Article no. Complete unit	Diagram no.	Pos. 1 Spool set		Pos. 2 Plug set		Pos. 3 Consumable parts	
		Order no.	V/Hz / Power	Order no.	Circuit function / Material	Order no.	Orifice / Material
222023	93	645556	24/56 8 W	231353	WWA EPDM StSt	224334	DN25 EPDM
222024	93	645558	230/56 8 W	231353	WWA EPDM StSt	224334	DN25 EPDM
222025	93	126434	24/DC 8 W	231353	WWA EPDM StSt	224337	DN40 EPDM
222026	93	645556	24/56 8 W	231353	WWA EPDM StSt	224337	DN40 EPDM
222027	93	645558	230/56 8 W	231353	WWA EPDM StSt	224337	DN40 EPDM
222028	93	126434	24/DC 8 W	231353	WWA EPDM StSt	224337	DN40 EPDM
222029	93	645556	24/56 8 W	231353	WWA EPDM StSt	224337	DN40 EPDM
222031	93	645558	230/56 8 W	231353	WWA EPDM StSt	224337	DN40 EPDM
228387	94	648743	24/DC 8 W	239895	WWB FKM+NBR StSt	239218	DN13 FKM
228388	94	189253	24/50 7 W	239895	WWB FKM+NBR StSt	239218	DN13 FKM
228389	94	189256	230/50 7 W	239895	WWB FKM+NBR StSt	239218	DN13 FKM
228390	94	648743	24/DC 8 W	239895	WWB FKM+NBR StSt	224329	DN20 FKM
228391	94	189253	24/50 7 W	239895	WWB FKM+NBR StSt	224329	DN20 FKM
228392	94	189256	230/50 7 W	239895	WWB FKM+NBR StSt	224329	DN20 FKM
228393	94	648743	24/DC 8 W	239895	WWB FKM+NBR StSt	224333	DN25 FKM
228394	94	189253	24/50 7 W	239895	WWB FKM+NBR StSt	224333	DN25 FKM
228395	94	189256	230/50 7 W	239895	WWB FKM+NBR StSt	224333	DN25 FKM
228396	94	648743	24/DC 8 W	239895	WWB FKM+NBR StSt	224333	DN25 FKM
228397	94	189253	24/50 7 W	239895	WWB FKM+NBR StSt	224333	DN25 FKM
228398	94	189256	230/50 7 W	239895	WWB FKM+NBR StSt	224333	DN25 FKM
228399	94	648743	24/DC 8 W	239895	WWB FKM+NBR StSt	224336	DN40 FKM
228400	94	189253	24/50 7 W	239895	WWB FKM+NBR StSt	224336	DN40 FKM
228401	94	189256	230/50 7 W	239895	WWB FKM+NBR StSt	224336	DN40 FKM
228402	94	648743	24/DC 8 W	239895	WWB FKM+NBR StSt	224336	DN40 FKM
228403	94	189253	24/50 7 W	239895	WWB FKM+NBR StSt	224336	DN40 FKM
228404	94	189256	230/50 7 W	239895	WWB FKM+NBR StSt	224336	DN40 FKM

3/2 way solenoid valve for pneumatics



Diagram 95



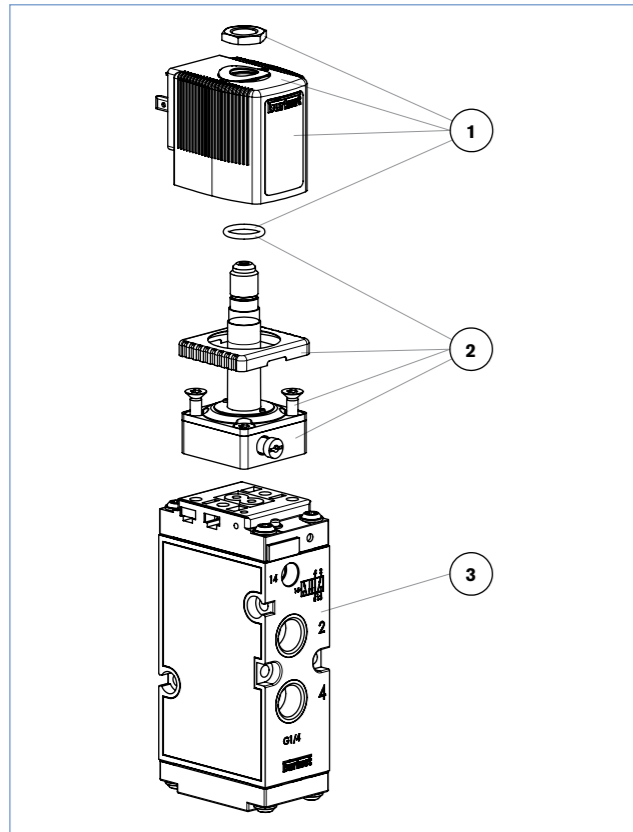
Ordering Chart

Article no. Complete unit	Diagram no.	Pos. 1 Spool set		Pos. 2 Pilot control fittings without coil		Pos. 3 Fitting without pilot control	
		Order no.	V/Hz / Power	Order no.	Circuit function	Order no.	Circuit function / Connection
132457	95	645564	24/DC 2 W	131603	direct-acting	132500	WWC G 1/4
132458	95	645565	24/56 2 W	131603	direct-acting	132500	WWC G 1/4
132459	95	645566	110/56 2 W	131603	direct-acting	132500	WWC G 1/4
132460	95	645567	230/56 2 W	131603	direct-acting	132500	WWC G 1/4
132461	95	645564	24/DC 2 W	131603	direct-acting	132503	WWD G 1/4
132462	95	645565	24/56 2 W	131603	direct-acting	132503	WWD G 1/4
132463	95	645566	110/56 2 W	131603	direct-acting	132503	WWD G 1/4
132464	95	645567	230/56 2 W	131603	direct-acting	132503	WWD G 1/4
132725	95	645564	24/DC 2 W	131603	direct-acting	132502	WWC NPT 1/4
144074	95	645564	24/DC 2 W			132500	WWC G 1/4
144307	95			131603	direct-acting		
151385	95					132500	WWC G 1/4
154779	95	645567	230/56 2 W	131603	direct-acting		
154981	95	645564	24/DC 2 W			132500	WWC G 1/4
156964	95	645564	24/DC 2 W	131603	direct-acting		
157445	95	645567	230/56 2 W	131603	direct-acting	132500	WWC G 1/4
157446	95	645564	24/DC 2 W	131603	direct-acting	132506	WWC G 1/4
161492	95			131603	direct-acting	132500	WWC G 1/4
180859	95			131603	direct-acting	132500	WWC G 1/4
189469	95	645564	24/DC 2 W			132500	WWC G 1/4
213304	95	645564	24/DC 2 W	131603	direct-acting		
220174	95	645564	24/DC 2 W				
440897	95			131603	direct-acting	132500	WWC G 1/4



5/2 and 3/2 way solenoid valve for pneumatics

Diagram 96



5/2 and 3/2 way solenoid valve for pneumatics

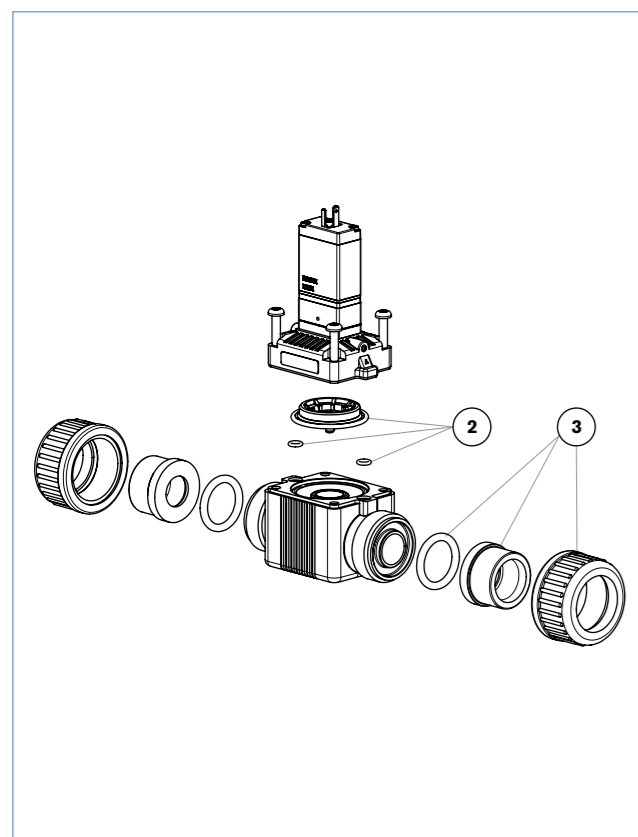
Ordering Chart

Article no. Complete unit	Diagram no.	Pos. 1 Spool set		Pos. 2 Pilot control fittings without coil		Pos. 3 Fitting without pilot control	
		Order no.	V/Hz	Order no.	Circuit function	Order no.	Circuit function / Connection
131421	96	645564	24/DC	131603	direct-acting	131437	WWW NAMUR
131422	96	645565	24/56	131603	direct-acting	131437	WWW NAMUR
131423	96	645566	110/56	131603	direct-acting	131437	WWW NAMUR
131424	96	645567	230/56	131603	direct-acting	131437	WWW NAMUR
131425	96	645564	24/DC	132509	direct-acting	131438	WWW NAMUR
131426	96	645565	24/56	132509	direct-acting	131438	WWW NAMUR
131427	96	645566	110/56	132509	direct-acting	131438	WWW NAMUR
131428	96	645567	230/56	132509	direct-acting	131438	WWW NAMUR
132465	96	645564	24/DC	131603	direct-acting	132641	WWH G 1/4
132466	96	645564	24/DC	131603	direct-acting	132641	WWH G 1/4
132467	96	645566	110/56	131603	direct-acting	132641	WWH G 1/4
132468	96	645567	230/56	131603	direct-acting	132641	WWH G 1/4
132469	96	645564	24/DC	131603	direct-acting	132496	WWL G 1/4
132470	96	645564	24/DC	131603	direct-acting	132496	WWL G 1/4
132471	96	645566	110/56	131603	direct-acting	132496	WWL G 1/4
132472	96	645567	230/56	131603	direct-acting	132496	WWL G 1/4
132473	96	645564	24/DC	131603	direct-acting	132497	WWN G 1/4
132474	96	645507	24/56	131603	direct-acting	132497	WWN G 1/4
132475	96	645566	110/56	131603	direct-acting	132497	WWN G 1/4
132476	96	645567	230/56	131603	direct-acting	132497	WWN G 1/4
132728	96	645564	24/DC	131603	direct-acting	132747	WWN G 1/4
137423	96	645564	24/DC	132509	direct-acting	137456	WWH NPT 1/4
139700	96	645564	24/DC	131603	direct-acting	132641	WWH G 1/4
139708	96	645564	24/DC	131603	direct-acting	132497	WWN G 1/4
144304	96	645564	24/DC	132509	direct-acting	132254	WWH G 1/4
144463	96	645567	230/56	131603	direct-acting	132747	WWZ G 1/4
147556	96	645564	24/DC	132508	direct-acting	132254	WWH G 1/4
148170	96	645564	24/DC	131603	direct-acting	150961	WWH G 1/4
151874	96			131603	direct-acting	132641	WWH G 1/4
158889	96			155475	direct-acting	132641	WWH G 1/4
158922	96	645567	230/56	131603	direct-acting	150961	WWH G 1/4
158923	96	645565	24/56	131603	direct-acting	150961	WWH G 1/4
158926	96	645567	230/56	132509	direct-acting	132254	WWH G 1/4
161520	96			131603	direct-acting	150961	WWH G 1/4
161931	96			155475	direct-acting	132641	WWH G 1/4
163062	96			155475	direct-acting	132641	WWH G 1/4
164761	96	645564	24/DC	131603	direct-acting	132641	WWH G 1/4
167402	96	645564	24/DC	192820	direct-acting	132641	WWH G 1/4
181826	96			170365	direct-acting	132497	WWN G 1/4
182465	96	645564	24/DC	131603	direct-acting	182466	WWH G 1/4
189497	96	645564	24/DC	132509	direct-acting	132254	WWH G 1/4
212217	96			131603	direct-acting		
221041	96	645564	24/DC	132508	direct-acting	132254	WWH G 1/4
222381	96	645564	24/DC	145576	direct-acting	132744	WWH G 1/4
225178	96			131603	direct-acting	132744	WWH G 1/4
443911	96			131603	direct-acting	132747	WWZ G 1/4
443938	96	645565	24/56	131603	direct-acting	132747	WWZ G 1/4
447361	96	645566	110/56	131603	direct-acting	132747	WWZ G 1/4



2/2 way solenoid valve, pilot-controlled, with PVC body

Diagram 97



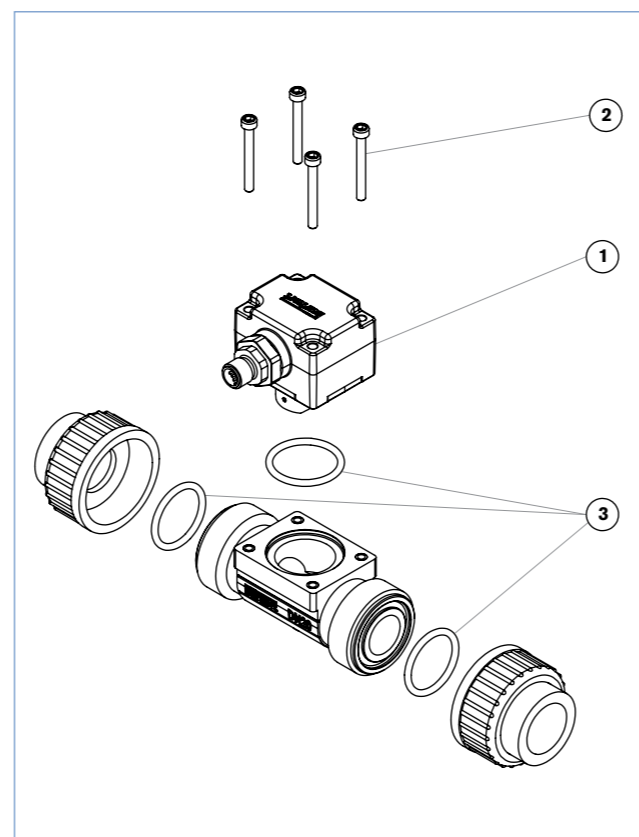
Ordering Chart

Article no. Complete unit	Diagram no.	Pos. 2 Consumable parts		Pos. 3 Connection set	
		Order no.	Orifice / Material	Order no.	Material / Connection
142165	97	142438	DN10 EPDM	142416	EPDM D=16
142166	97	142438	DN10 EPDM	142416	EPDM D=16
142167	97	142438	DN10 EPDM	142416	EPDM D=16
142171	97	142437	DN10 FKM	142413	FKM D=16
142173	97	142437	DN10 FKM	142413	FKM D=16
142177	97	142440	DN13 EPDM	142422	EPDM D=20
142178	97	142440	DN13 EPDM	142422	EPDM D=20
142179	97	142440	DN13 EPDM	142422	EPDM D=20
142183	97	142439	DN10 FKM	142419	FKM D=20
142184	97	142439	DN10 FKM	142419	FKM D=20
142185	97	142439	DN10 FKM	142419	FKM D=20



Flowmeter for continuous measurement

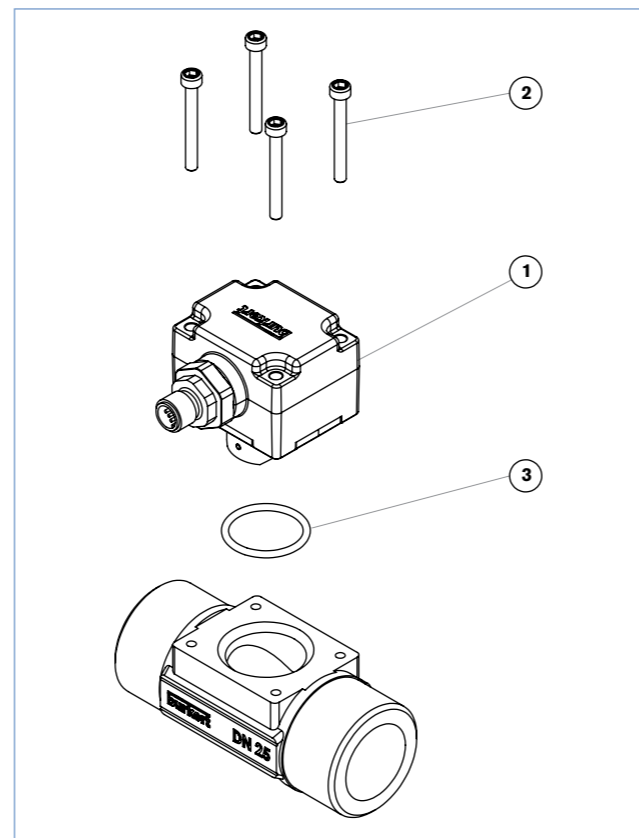
Diagram 98



Ordering Chart

Article no. Complete unit	Diagram no.	Pos. 1 Flow sensor		Pos. 2 Screw set		Pos. 3 O-Ring set	
		Order no.	Volt	Order no.	4 pieces	Order no.	Material
556248	98	559445	6-36	555775	M4 x 60	431557	FKM
556249	98	559445	6-36	555775	M4 x 60	431560	FKM
556263	98	559445	6-36	555775	M4 x 60	431558	FKM
556264	98	559445	6-36	555775	M4 x 60	431559	FKM
556277	98	559441	6-36	555775	M4 x 60	448679	FKM
556296	99	559440	4.5-24	555775	M4 x 60	426340	FKM
556327	98	559444	4.5-24	555775	M4 x 60	431555	FKM
556345	99	559444	4.5-24	555775	M4 x 60	426340	FKM
556354	99	559445	6-36	555775	M4 x 60	426340	FKM
556371	99	559440	4.5-24	555775	M4 x 60	426340	FKM
556372	99	559444	4.5-24	555775	M4 x 60	426340	FKM
556383	99	559445	6-36	555775	M4 x 60	426340	FKM
556384	99	559445	6-36	555775	M4 x 60	426340	FKM
556425	99	559444	4.5-24	555775	M4 x 60	426340	FKM
556426	99	559444	4.5-24	555775	M4 x 60	426340	FKM
556450	99	559445	6-36	555775	M4 x 60	426340	FKM
556452	99	559445	6-36	555775	M4 x 60	426340	FKM
556468	99	559445	6-36	555775	M4 x 60	426340	FKM
556470	99	559440	4.5-24	555775	M4 x 60	426340	FKM
556472	99	559440	4.5-24	555775	M4 x 60	426340	FKM
559915	99	559440	4.5-24	555775	M4 x 60	426340	FKM
559916	99	559440	4.5-24	555775	M4 x 60	426340	FKM
559917	99	559440	4.5-24	555775	M4 x 60	426340	FKM
559918	99	559444	4.5-24	555775	M4 x 60	426340	FKM
559919	99	559444	4.5-24	555775	M4 x 60	426340	FKM
559920	99	559444	4.5-24	555775	M4 x 60	426340	FKM
559921	99	559444	4.5-24	555775	M4 x 60	426340	FKM
559922	99	559444	4.5-24	555775	M4 x 60	426340	FKM
559923	99	559444	4.5-24	555775	M4 x 60	426340	FKM
559924	99	559444	4.5-24	555775	M4 x 60	426340	FKM
559925	99	559444	4.5-24	555775	M4 x 60	426340	FKM
559926	99	559444	4.5-24	555775	M4 x 60	426340	FKM
559927	99	559444	4.5-24	555775	M4 x 60	426340	FKM
559928	99	559444	4.5-24	555775	M4 x 60	426340	FKM
559929	99	559444	4.5-24	555775	M4 x 60	426340	FKM
559930	99	559444	4.5-24	555775	M4 x 60	426340	FKM
559931	99	559444	4.5-24	555775	M4 x 60	426340	FKM
559932	99	559444	4.5-24	555775	M4 x 60	426340	FKM
559933	99	559444	4.5-24	555775	M4 x 60	426340	FKM
559934	99	559444	4.5-24	555775	M4 x 60	426340	FKM
559935	99	559444	4.5-24	555775	M4 x 60	426340	FKM
559936	99	559440	4.5-24	555775	M4 x 60	426340	FKM
559937	99	559440	4.5-24	555775	M4 x 60	426340	FKM
559938	99	559440	4.5-24	555775	M4 x 60	426340	FKM
559939	99	559444	4.5-24	555775	M4 x 60	426340	FKM
559940	99	559444	4.5-24	555775	M4 x 60	426340	FKM
559941	99	559444	4.5-24	555775	M4 x 60	426340	FKM
559942	99	559444	4.5-24	555775	M4 x 60	426340	FKM
559943	99	559444	4.5-24	555775	M4 x 60	426340	FKM
559944	99	559444	4.5-24	555775	M4 x 60	426340	FKM
559945	99	559440	4.5-24	555775	M4 x 60	426340	FKM
559946	99	559444	4.5-24	555775	M4 x 60	426340	FKM
559947	99	559444	4.5-24	555775	M4 x 60	426340	FKM
559948	99	559444	4.5-24	555775	M4 x 60	426340	FKM
559949	99	559444	4.5-24	555775	M4 x 60	426340	FKM
559950	99	559444	4.5-24	555775	M4 x 60	426340	FKM
559951	99	559444	4.5-24	555775	M4 x 60	426340	FKM
559952	99	559444	4.5-24	555775	M4 x 60	426340	FKM
559953	99	559444	4.5-24	555775	M4 x 60	426340	FKM
559954	99	559444	4.5-24	555775	M4 x 60	426340	FKM
559955	99	559444	4.5-24	555775	M4 x 60	426340	FKM
559956	99	559444	4.5-24	555775	M4 x 60	426340	FKM
559957	99	559444	4.5-24	555775	M4 x 60	426340	FKM
559958	98	559440	4.5-24	555775	M4 x 60	448679	FKM
559959	98	559440	4.5-24	555775	M4 x 60	448679	FKM
559960	98	559444	4.5-24	555775	M4 x 60	431555	FKM

Diagram 99



Flowmeter for continuous measurement



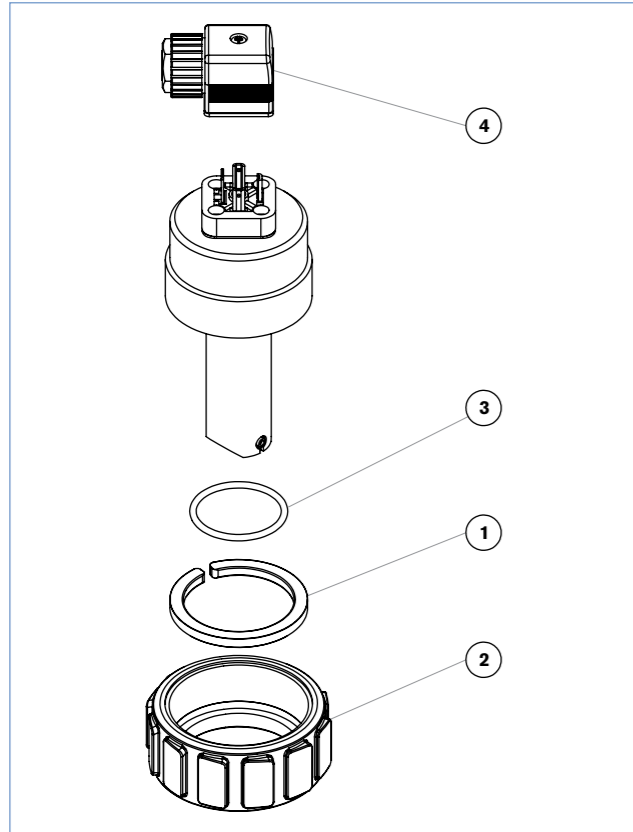
Ordering Chart

Article no. Complete unit	Diagram no.	Pos. 1 Flow sensor		Pos. 2 Screw set		Pos. 3 O-Ring set	
		Order no.	Volt	Order no.	4 pieces	Order no.	Material
559961	98	559444	4.5-24	555775	M4 x 60	431556	FKM
559962	98	559444	4.5-24	555775	M4 x 60	431557	FKM
559963	98	559444	4.5-24	555775	M4 x 60	431558	FKM
559964	98	559444	4.5-24	555775	M4 x 60	431559	FKM
559965	98	559444	4.5-24	555775	M4 x 60	431560	FKM
559966	98	559444	4.5-24	555775	M4 x 60	431555	FKM
559967	98	559444	4.5-24	555775	M4 x 60	431556	FKM
559968	98	559444	4.5-24	555775	M4 x 60	431557	FKM
559969	98	559444	4.5-24	555775	M4 x 60	431558	FKM
559970	98	559444	4.5-24	555775	M4 x 60	431559	FKM
559971	98	559444	4.5-24	555775	M4 x 60	431560	FKM
559972	98	559444	4.5-24	555775	M4 x 60	431555	FKM
559973	98	559444	4.5-24	555775	M4 x 60	431556	FKM
559974	98	559444	4.5-24	555775	M4 x 60	431557	FKM
559975	98	559444	4.5-24	555775	M4 x 60	431558	FKM
559976	98	559444	4.5-24	555775	M4 x 60	431559	FKM
559977	98	559444	4.5-24	555775	M4 x 60	431560	FKM
561329	98	559445	6-36	555775	M4 x 60	431555	FKM
561330	98	559445	6-36	555775	M4 x 60	431556	FKM



Insertion - paddle wheel flowmeter for continuous measurement

Diagram 102



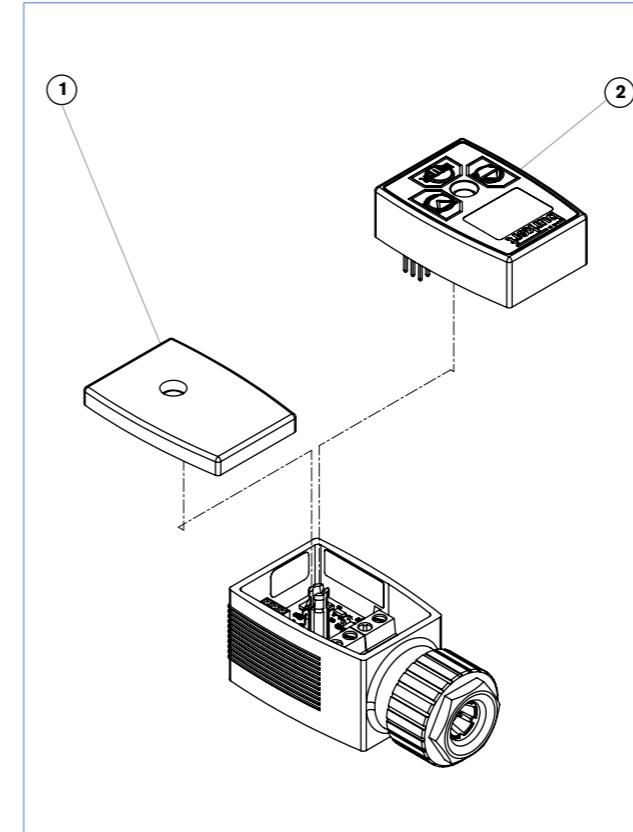
Ordering Chart

Article no. Complete unit	Diagram no.	Pos. 1 Ring for fitting Order no.	Pos. 2 Union nut Order no.	Pos. 3 O-Ring Set 1 EPDM+ 1 FKM Order no.	Pos. 4 Cable plug coupling Order no.
419583	102	619205	619204	552111	438811
419585	102	619205	619204	552111	438811
419587	102	619205	619204	552111	438811
419589	102	619205	619204	552111	438811
419591	102	619205	619204	552111	438811
419593	102	619205	619204	552111	438811

Flow transmitter / pulse divider - microprocessor controlled electronics



Diagram 103



Ordering Chart

Article no. Complete unit	Diagram no.	Pos. 1 Cover set Order no.	Pos. 2 Operating unit Order no.
215644	103	670549	
215646	103	670549	
215647	103		562876



Insertion - paddle wheel flow transmitter and batch controller with digital display

Diagram 104

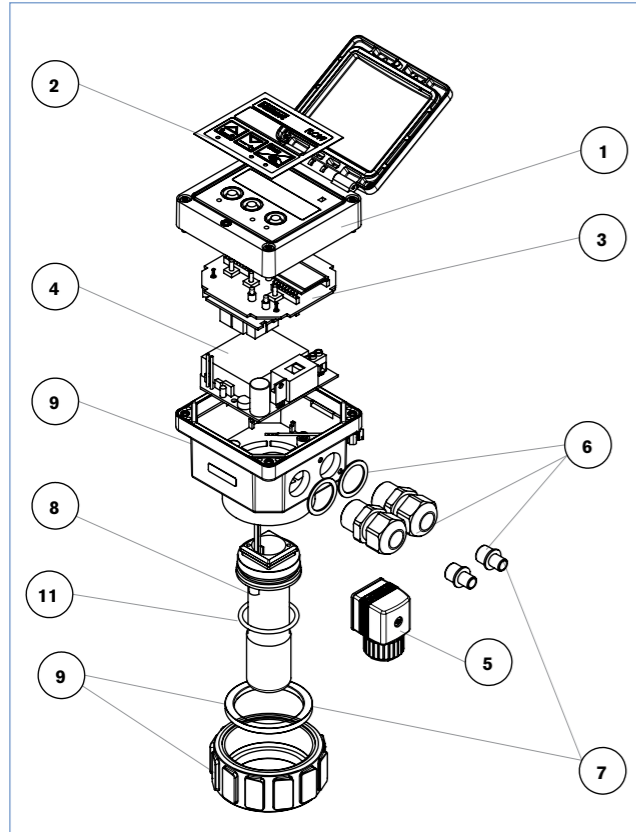


Diagram 106

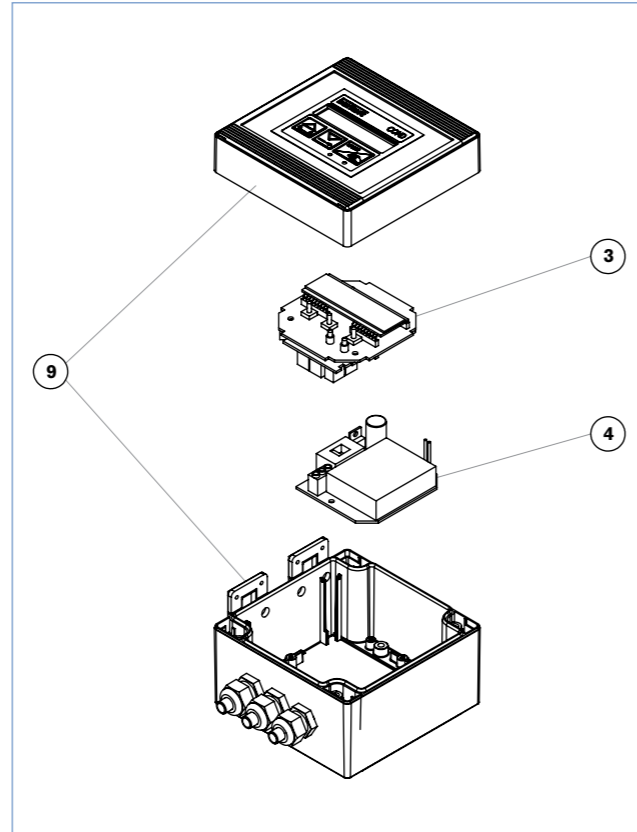
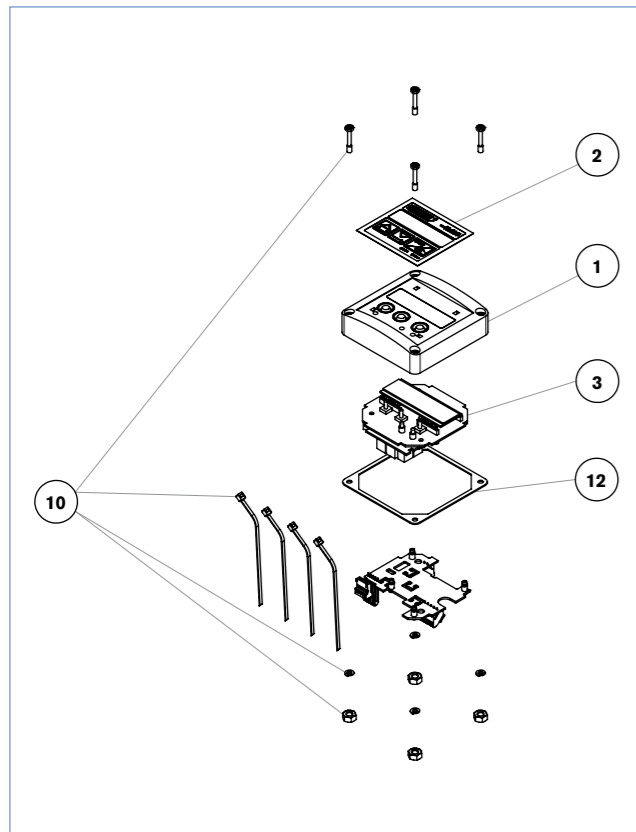


Diagram 105



Insertion - paddle wheel flow transmitter and batch controller with digital display

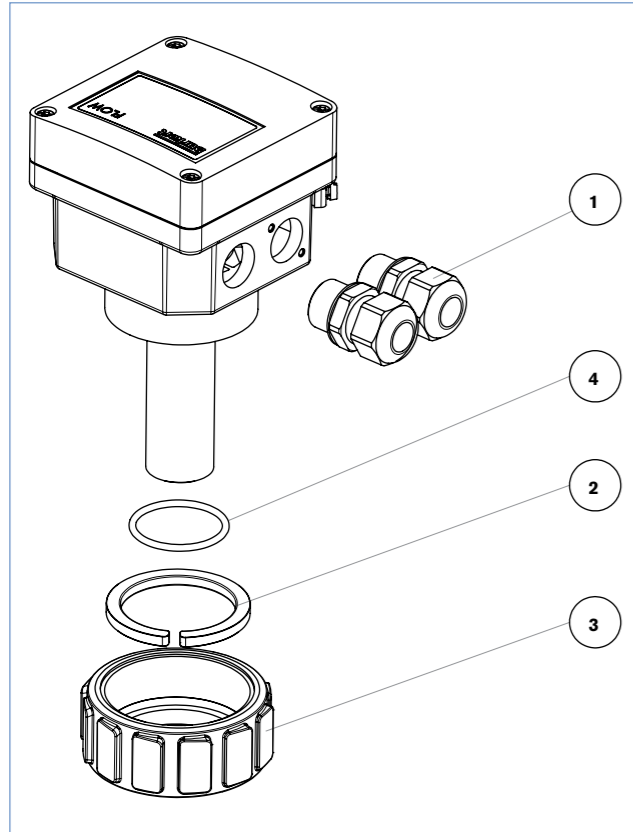
Ordering Chart

Article no. Complete unit	Diagram no.	Pos. 1 Cover with window Order no.	Pos. 2 8 films Order no.	Pos. 3 Electronic circuit board Order no.	Pos. 4 Supply circuit board Order no.	Pos. 5 Cable plug Order no.	Pos. 6 Cable gland Order no.	Pos. 7 Plug set Order no.	Pos. 8 Sensor Order no.	Pos. 9 Body set Order no.	Pos. 10 Mounting set Order no.	Pos. 11 per 1 O-Ring EPDM+F-KM Order no.	Pos. 12 Flat seal Order no.
418396	106			553170						557180			
418397	106			553169						557180			
418399	106			553170	555722					557180			
418400	106			553169	555722					557180			
418403	104	553189	553191	553172			449755		633366	425526			
418405	104	553189	553191	553172			449755		634757	425526			
418423	104	553189	553191	553169	553168		449755	551775	418316	425526		552111	
418424	104	553189	553191	553169	553168		449755	551775	418324	425526		552111	
418425	104	553189	553191	553169	553168		449755	551775	633366	425526			
418426	104	553189	553191	553169	553168		449755	551775	634757	425526		552111	
418431	104	553189	553192	553170	553168		449755	551775	418316	425526		552111	
418432	104	553189	553192	553170	553168		449755	551775	418324	425526		552111	
418433	104	553189	553192	553170	553168		449755	551775	633366	425526		552111	
418434	104	553189	553192	553170	553168		449755	551775	634757	425526		552111	
418762	104	553189	553191	553169		438811			418316	425524		552111	
418763	104	553189	553191	553169		438811			418324	425524		552111	
418764	104	553189	553191	553169		438811			633366	425524		552111	
418765	104	553189	553191	553169		438811			634757	425524		552111	
418778	104	553189	553192	553170			449755	551775	418316	425526			
418779	104	553189	553192	553170			449755	551775	418324	425526			
418780	104	553189	553192	553170			449755	551775	633366	425526		552111	
418781	104	553189	553192	553170			449755	551775	634757	425526		552111	
418802	104	553189	553191	553169			449755	551775	418316	425526			
418803	104	553189	553191	553169			449755	551775	418324	425526			
418804	104	553189	553191	553169			449755	551775	633366	425526		552111	
418805	104	553189	553191	553169			449755	551775	634757	425526		552111	
418992	105	555849	553191	553169							554807		419350
418994	105	555849	553192	553170							554807		419350
419520	104	553189	553192	553171			449755	551775	418316	425526			
419521	104	553189	553192	553171	553168		449755	551775	418316	425526			
419522	104	553189	553192	553171			449755	551775	418324	425526			
419529	104	553189	553192	553171	553168		449755	551775	418324	425526			
419536	104	555849	553192	553171							554807		419350
419537	105	555849	553192	557001							554807		419350
419538	105	555849	553191	557000							554807		419350
419540	106			557001						557180			
419541	106			557000						557180			
419543	106			557001	555722					557180			
419544	106			557000	555722					557180			
433740	106			553171						557180			
433741	106			553171	555722					557180			
552725	105	555849	553191	553169							554807		419350
552726	105	555849	553192	553170							554807		419350



Insertion - electromagnetic flowmeter

Diagram 107



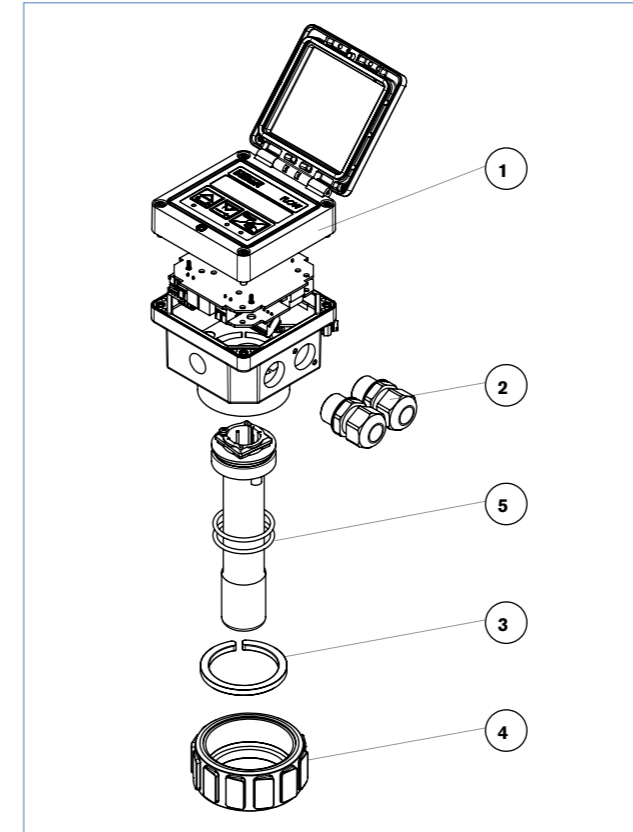
Ordering Chart

Article no. Complete unit	Diagram no.	Pos. 1 2 Cable glands	Pos. 2 Ring for fitting	Pos. 3 Union nut	Pos. 4 O-Ring Set 1 EPDM+1 FKM
		Order no.	Order no.	Order no.	Order no.
552779	107	449755	619205	440229	552111
552780	107	449755	619205	440229	552111
558064	107	449755	619205	619204	552111
558065	107	449755	619205	619204	552111
559082	107	449755	619205	619204	552111
560322	107	449755	619205	440229	552111
560751	107	449755	619205	619204	552111
560752	107	449755	619205	619204	552111
561018	107	449755	619205	440229	552111
563149	107	449755	619205	440229	552111



Insertion - electromagnetic flow transmitter with digital display

Diagram 108



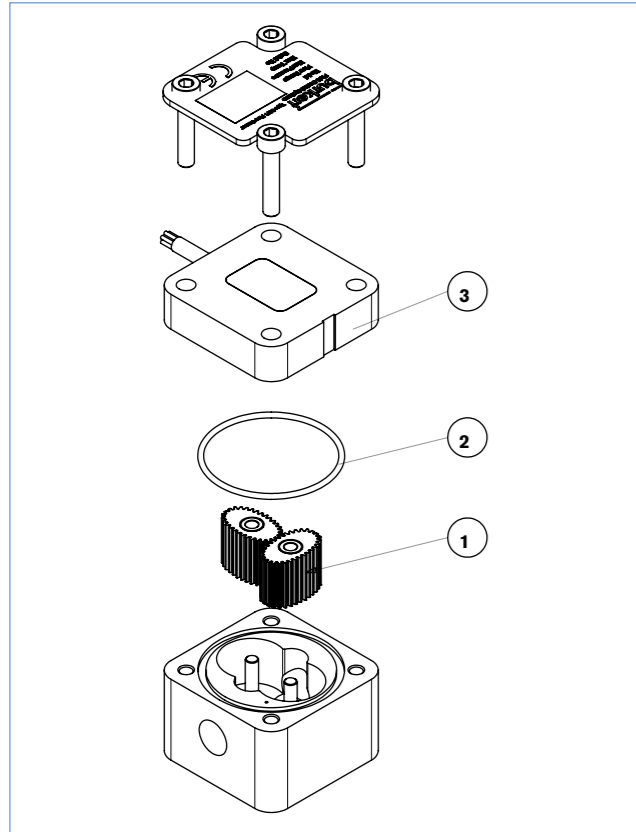
Ordering Chart

Article no. Complete unit	Diagram no.	Pos. 1 Cover with window	Pos. 2 2 Cable glands	Pos. 3 Ring for fitting	Pos. 4 Union nut	Pos. 5 O-Ring-Set 1 EPDM+1 FKM
		Order no.	Order no.	Order no.	Order no.	Order no.
426498	108	553189	449755	619205	619204	552111
426499	108	553189	449755	619205	619204	552111
426506	108	553189	449755	619205	619204	552111
426507	108	553189	449755	619205	619204	552111
449670	108	553190	449755	619205	440229	552111
449671	108	553190	449755	619205	440229	552111
449672	108	553190	449755	619205	440229	552111
449673	108	553190	449755	619205	440229	552111
554038	108	553190	449755	619205	440229	552111
558675	108	553189	449755	619205	619204	552111
558676	108	553189	449755	619205	619204	552111
559367	108	553190	449755	619205	440229	552111
559878	108	553189	449755	619205	619204	552111
560373	108	553189	449755	619205	619204	552111
563883	108	553189	449755	619205	619204	552111



Positive displacement low volume flowmeter for continuous measurement

Diagram 109



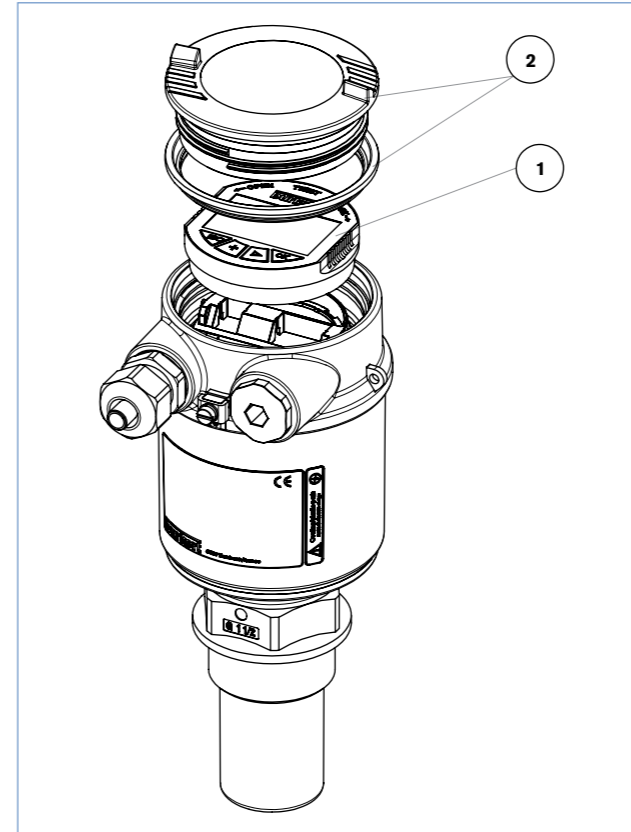
Ordering Chart

Article no. Complete unit	Diagram no.	Pos. 1 Rotor Set		Pos. 2 FKM O-Ring	Pos. 3 Cover with hall sensor
		Order no.	Material	Order no.	Order no.
430856	109	550922	PPS	550923	553654
432288	109	550921	PPS	550923	553654
433864	109	550919	StSt	550923	553653
434364	109	550922	PPS	550924	553654
437518	109	550920	StSt	550923	553653
448654	109	550921	PPS	550923	553654
448655	109	550922	PPS	550923	553654
448656	109	550919	StSt	550923	553653
448657	109	550920	StSt	550923	553653
550072	109	550921	PPS	550924	553654
551817	109	550919	StSt	550924	553653
552426	109	550920	StSt	550923	553653
552818	109	560180	StSt	550923	
552819	109	560180	StSt	550923	
552820	109	560180	StSt	550923	553653
552821	109	560180	StSt	550923	553653
553651	109	550920	StSt	550924	553653
553652	109	550920	StSt	550923	553653



OEM radar transmitter for aggressive mediums

Diagram 110



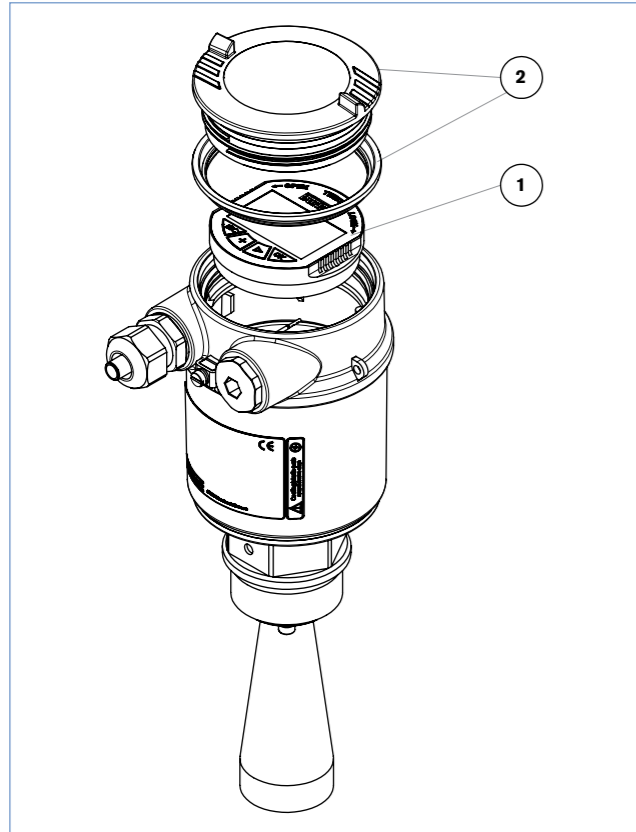
Ordering Chart

Article no. Complete unit	Diagram no.	Pos. 1 Programming module	Pos. 2 Cover with O-Ring
		Order no.	Order no.
560146	110	559279	561006
560147	110	559279	561006
560148	110	559279	561006
560149	110	559279	561006
560150	110	559279	561006
560151	110	559279	561006



General purpose, high pressure radar level measuring device

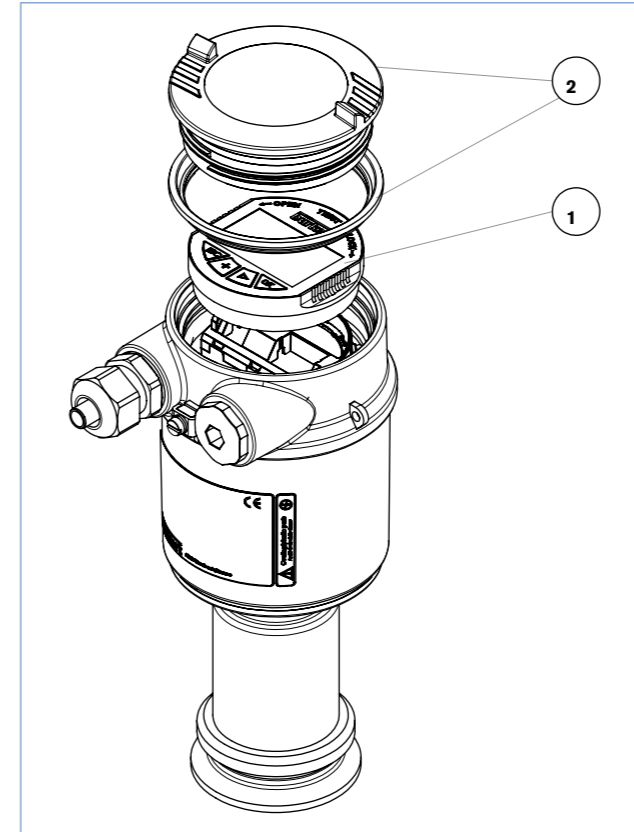
Diagram 111



Ordering Chart

Article no. Complete unit	Diagram no.	Pos. 1	Pos. 2
		Programming module	Cover with O-Ring
		Order no.	Order no.
560157	111	559279	561006
560158	111	559279	561006
560159	111	559279	561006
560160	111	559279	561006
560161	111	559279	561006
560162	111	559279	561006
560163	111	559279	561006
560164	111	559279	561006
560165	111	559279	561006
560166	111	559279	561006
560167	111	559279	561006
560168	111	559279	561006

Diagram 112



Ordering Chart

Article no. Complete unit	Diagram no.	Pos. 1	Pos. 2
		Programming module	Cover with O-Ring
		Order no.	Order no.
560169	112	559279	561006
560170	112	559279	561006
560171	112	559279	561006
560172	112	559279	561006
560173	112	559279	561006
560174	112	559279	561006
560175	112	559279	561006
560176	112	559279	561006

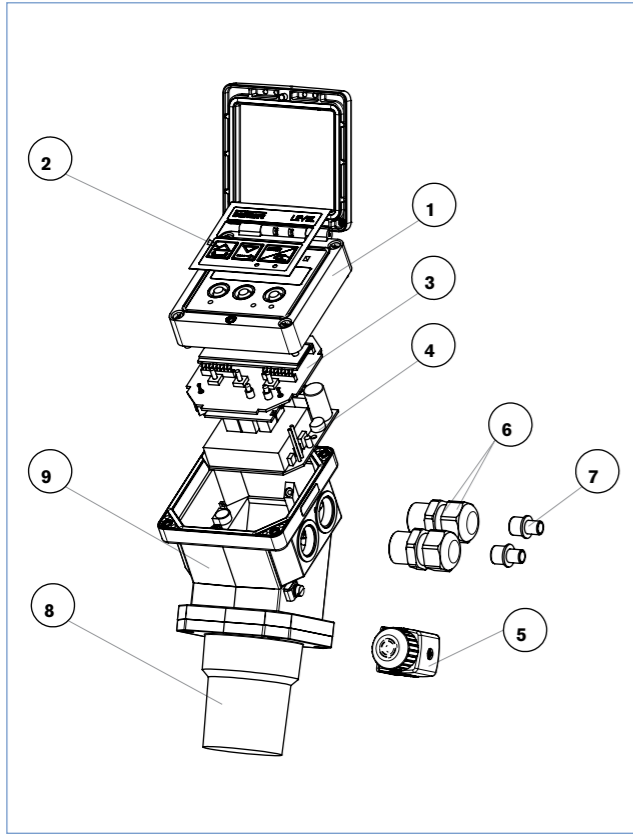


Radar level measuring device for hygienic applications



Ultrasonic level sensor

Diagram 113



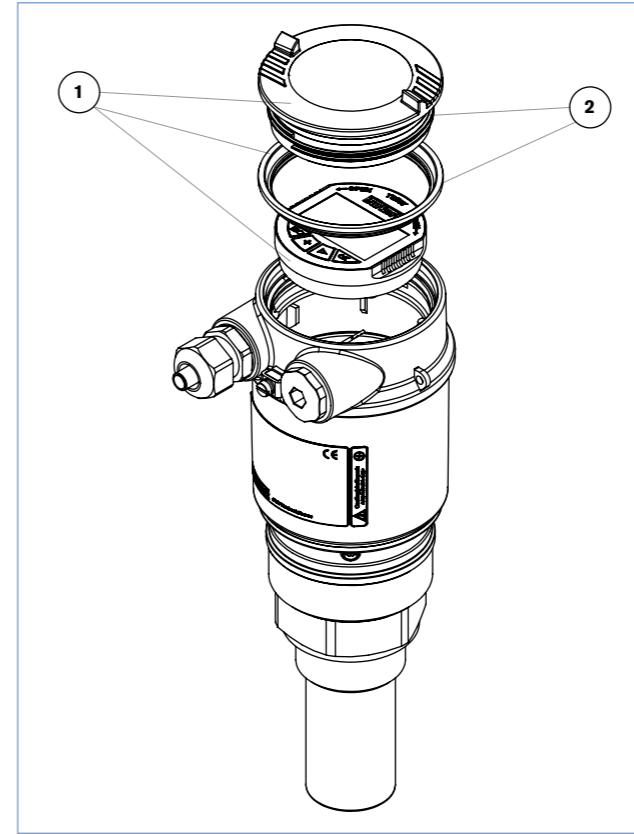
Ordering Chart

Article no. Complete unit	Diagram no.	Pos. 1 Cover with window	Pos. 2 8 films	Pos. 3 Electronic circuit board	Pos. 4 Electric circuit board	Pos. 5 Cable plug	Pos. 6 2 Cable glands	Pos. 7 Shutter for Cable glands	Pos. 8 Sensor	Pos. 9 Transmitter body
		Order no.	Order no.	Order no.	Order no.	Order no.	Order no.	Order no.	Order no.	Order no.
430822	113	553189	553195	553175		438811			448394	448392
430823	113	553189	553195	553175			449755	551775	448394	430833
430824	113	553189	553196	553176			449755	551775	448394	430833
430825	113	553189	553195	553175	448393		449755	551775	448394	430833
430826	113	553189	553196	553176	448393		449755	551775	448394	430833
430827	113	553189	553195	553175		162673	551782		448817	448392
430828	113	553189	553195	553175			551782		448817	430833
430829	113	553189	553196	553176			551782		448817	430833
430830	113	553189	553195	553175	448393		551782		448817	430833
430831	113	553189	553196	553176	448393		551782		448817	430833
436567	113	553708	553195	448825						
436568	113	553708	553196	448826						
436569	113			448825						448823
436570	113			448826						448824
437339	113			448825	448827					448823
437340	113			448826	448827					448824



Ultrasonic level sensor

Diagram 114



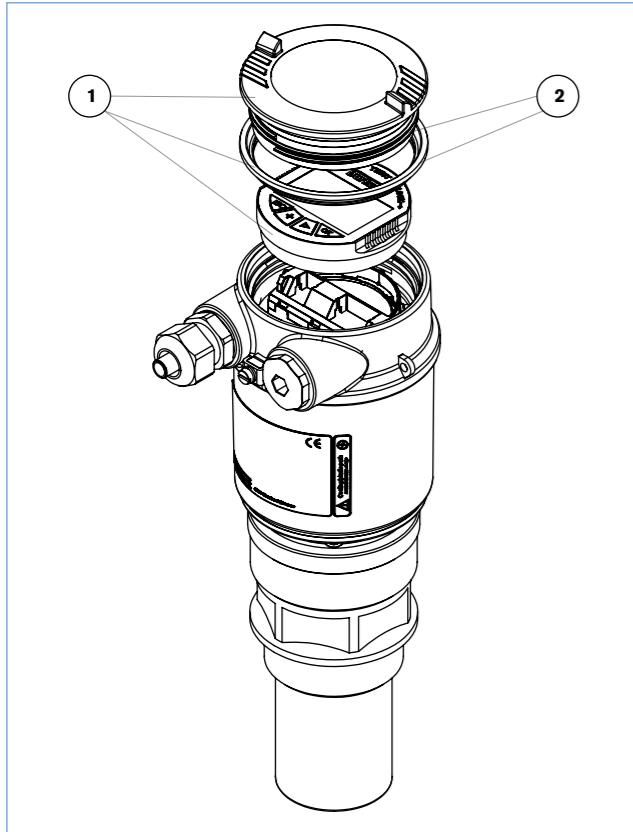
Ordering Chart

Article no. Complete unit	Diagram no.	Pos. 1 Operating module with cover	Pos. 2 Cover with seal
		Order no.	Order no.
558220	114	559279	561006
558221	114	559279	561006
558222	114	559279	561006
559240	114	559279	561006
559241	114	559279	561006
559242	114	559279	561006
561070	114	559279	561006



Ultrasonic level sensor

Diagram 115



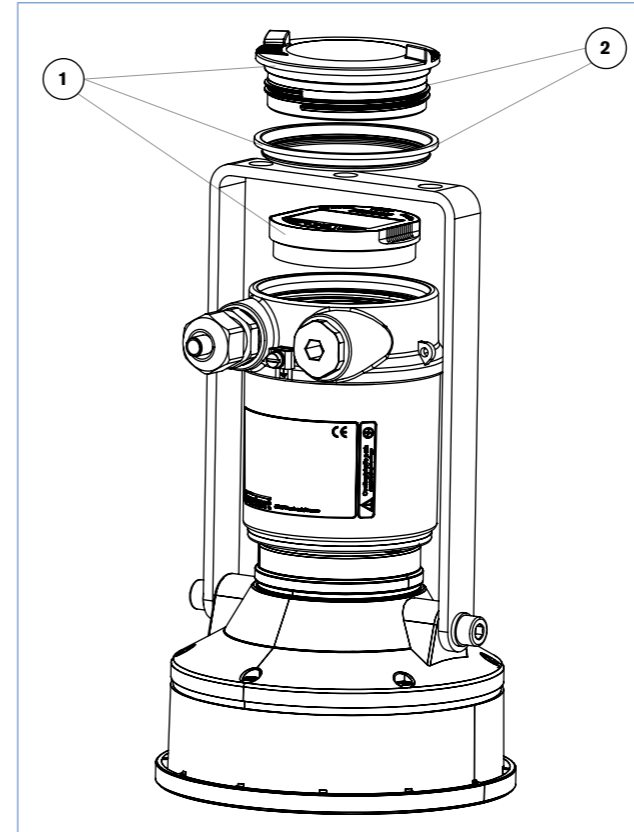
Ordering Chart

Article no. Complete unit	Diagram no.	Pos. 1	Pos. 2
		Operating module with cover	Cover with seal
		Order no.	Order no.
558224	115	559279	561006
558225	115	559279	561006
558226	115	559279	561006
559243	115	559279	561006
559244	115	559279	561006
559245	115	559279	561006



Ultrasonic level sensor

Diagram 116



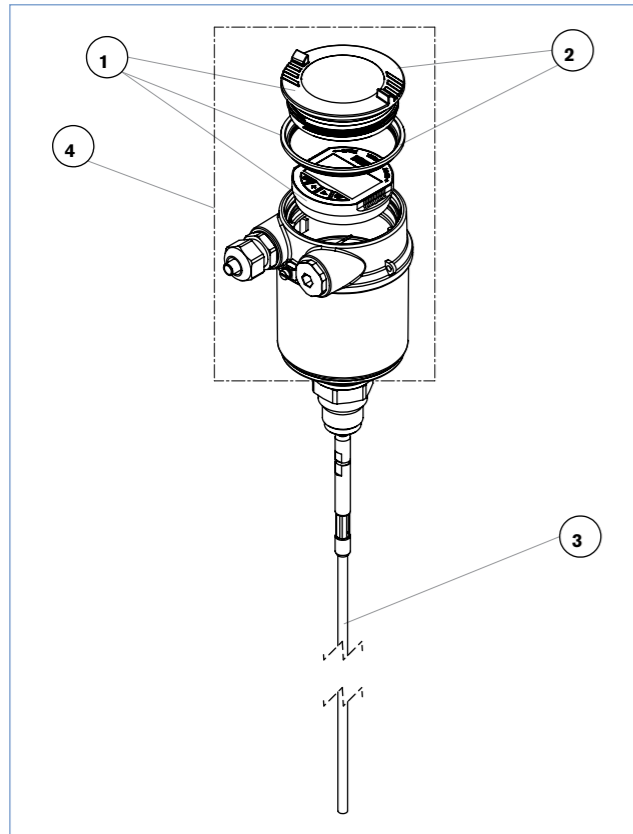
Ordering Chart

Article no. Complete unit	Diagram no.	Pos. 1	Pos. 2
		Operating module with cover	Cover with seal
		Order no.	Order no.
558228	116	559279	561006
559246	116	559279	561006
559424	116	559279	561006



Guided microwave - universal level transmitter with probe

Diagram 117



Ordering Chart

Article no. Complete unit	Diagram no.	Pos. 1	Pos. 2	Pos. 3		Pos. 4
		Operating module with cover Order no.	Cover with seal Order no.	Replacement sensor Order no.	Sensor type	Transmitter without sensor Order no.
558229	117	559279	561006	560909	probe 1 m	560917
558230	117	559279	561006	560909	probe 1 m	
558231	117	559279	561006	560909	probe 1 m	
558232	117	559279	561006	560909	probe 1 m	
558233	117	559279	561006			560917
558234	117	559279	561006			
558235	117	559279	561006			
558236	117	559279	561006			
558237	117	559279	561006	560909	probe 1 m	
558238	117	559279	561006	560909	probe 1 m	
558239	117	559279	561006			560917
558240	117	559279	561006			
558241	117	559279	561006			560917
558242	117	559279	561006			
558243	117	559279	561006			
558244	117	559279	561006			
558245	117	559279	561006	560769	probe 10 m	560917
558246	117	559279	561006	560769	probe 10 m	
558247	117	559279	561006	560769	probe 10 m	
558248	117	559279	561006	560769	probe 10 m	
558249	117	559279	561006			
558250	117	559279	561006			
558251	117	559279	561006	560769	probe 10 m	
558252	117	559279	561006	560769	probe 10 m	
559247	117	559279	561006	560909	probe 1 m	560917
559249	117	559279	561006	560909	probe 1 m	
559250	117	559279	561006	560909	probe 1 m	
559251	117	559279	561006			560917
559252	117	559279	561006			
559256	117	559279	561006	560909	probe 1 m	
559258	117	559279	561006			
559260	117	559279	561006			
559262	117	559279	561006			
559263	117	559279	561006	560769	probe 10 m	560917
559266	117	559279	561006	560769	probe 10 m	
559267	117	559279	561006			
559269	117	559279	561006	560769	probe 10 m	
559365	117	559279	561006			560917
559372	117	559279	561006			
559594	117	559279	561006			
559595	117	559279	561006			
559652	117	559279	561006	562855	probe 3 m	
559654	117	559279	561006			560917
559718	117	559279	561006	562855	probe 3 m	560917
559883	117	559279	561006			560917
559987	117	559279	561006			560917
560004	117	559279	561006			560917
560296	117	559279	561006			560917
560316	117	559279	561006	560909	probe 1 m	
560372	117	559279	561006			
560463	117	559279	561006	561339	probe 15 m	
560732	117	559279	561006			
560806	117	559279	561006			
560901	117	559279	561006			
560902	117	559279	561006			
560918	117	559279	561006			
560919	117	559279	561006			
560920	117	559279	561006			
560921	117	559279	561006			
560922	117	559279	561006			
561008	117	559279	561006	561339	probe 15 m	
561071	117	559279	561006			
561072	117	559279	561006			
561142	117	559279	561006			
561368	117	559279	561006	562855	probe 3 m	

Guided microwave - universal level transmitter with probe



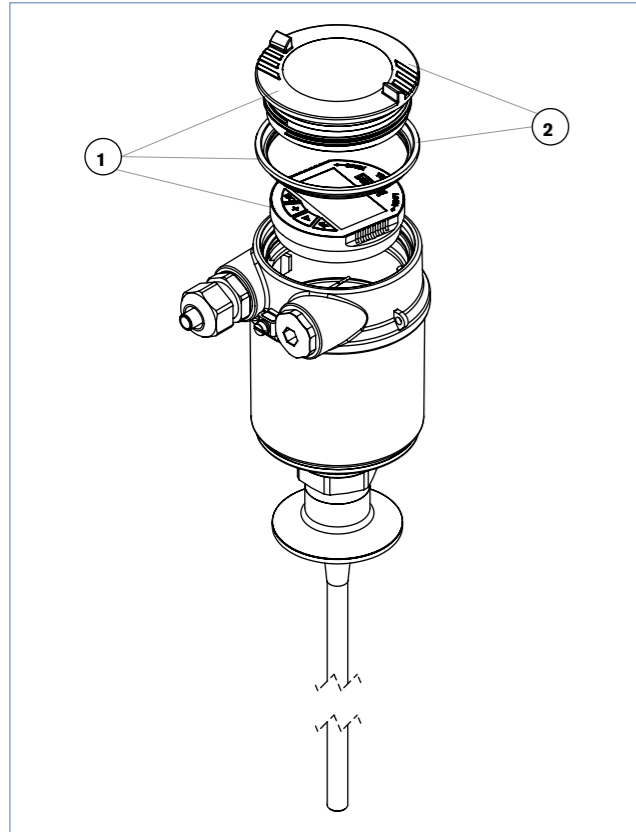
Ordering Chart

Article no. Complete unit	Diagram no.	Pos. 1	Pos. 2	Pos. 3		Pos. 4
		Operating module with cover Order no.	Cover with seal Order no.	Replacement sensor Order no.	Sensor type	Transmitter without sensor Order no.
561369	117	559279	561006	561226	probe 4 m	
561375	117	559279	561006			
561484	117	559279	561006			
561501	117	559279	561006	561226	probe 4 m	
561554	117	559279	561006			
561814	117	559279	561006			560917
561842	117	559279	561006	560909	probe 1 m	
562133	117	559279	561006			
562399	117	559279	561006	561226	probe 4 m	560917
562425	117	559279	561006			560917
562462	117	559279	561006			
562477	117	559279	561006			
562497	117	559279	561006			
562498	117	559279	561006			
562586	117	559279	561006			
562595	117	559279	561006			
562873	117	559279	561006			
563093	117	559279	561006			
563096	117	559279	561006	561339	probe 15 m	
563141	117	559279	561006			
563142	117	559279	561006			
563267	117	559279	561006			
563271	117	559279	561006			
563630	117	559279	561006	563410	probe 2 m	
563913	117	559279	561006			
563914	117	559279	561006			
563915	117	559279	561006			
563916	117	559279	561006			



Guided microwave - level transmitter - aseptic version with probe

Diagram 118



Ordering Chart

Article no. Complete unit	Diagram no.	Pos. 1	Pos. 2
		Operating module with cover	Cover with seal
		Order no.	Order no.
558253	118	559279	561006
558254	118	559279	561006
558255	118	559279	561006
558256	118	559279	561006
558258	118	559279	561006
559271	118	559279	561006
560431	118	559279	561006
560565	118	559279	561006
561109	118	559279	561006
561334	118	559279	561006
561430	118	559279	561006
561712	118	559279	561006
562449	118	559279	561006
562469	118	559279	561006
562487	118	559279	561006
562585	118	559279	561006
562617	118	559279	561006
562618	118	559279	561006
562629	118	559279	561006
562881	118	559279	561006
563055	118	559279	561006
563066	118	559279	561006
563067	118	559279	561006
563068	118	559279	561006
563132	118	559279	561006
563140	118	559279	561006
563183	118	559279	561006
563371	118	559279	561006

pH and Redox probe head



Diagram 119

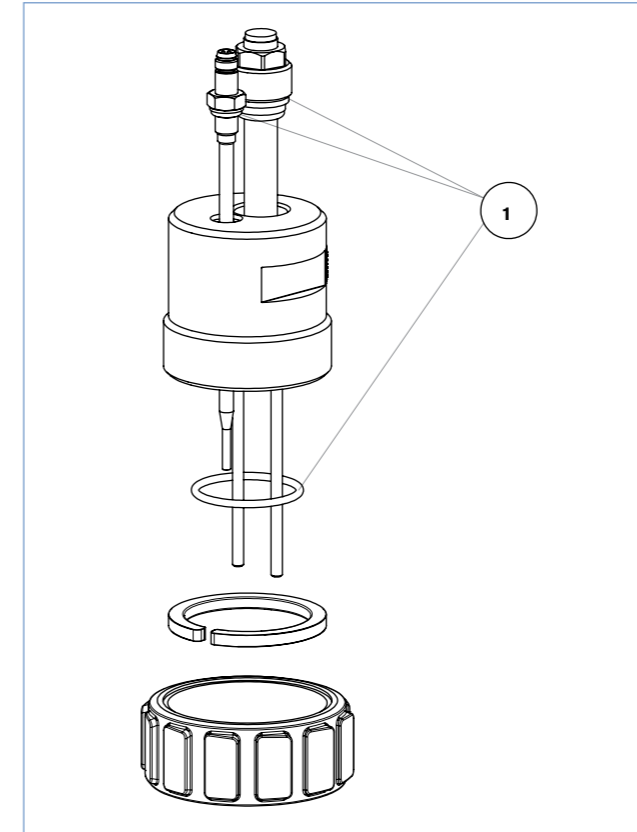


Diagram 121

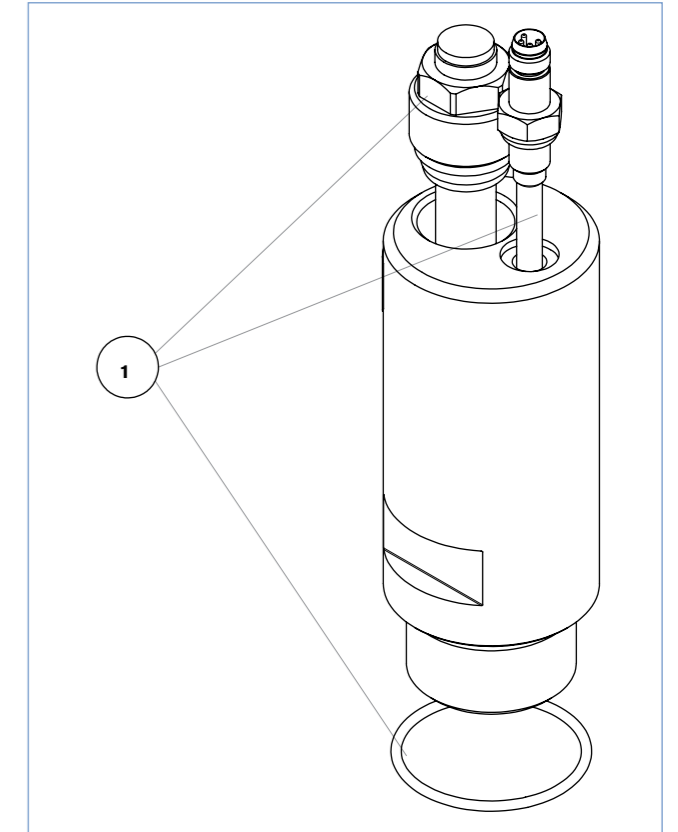
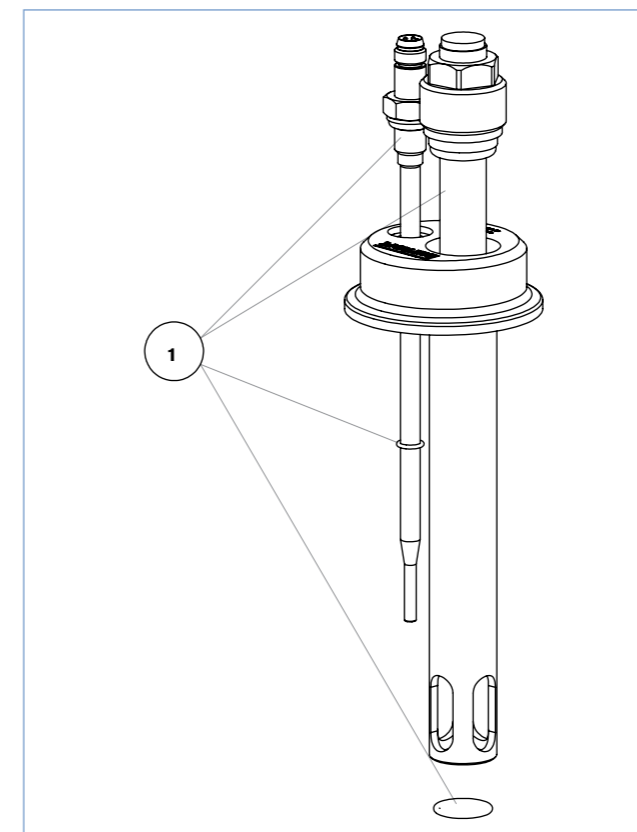


Diagram 120



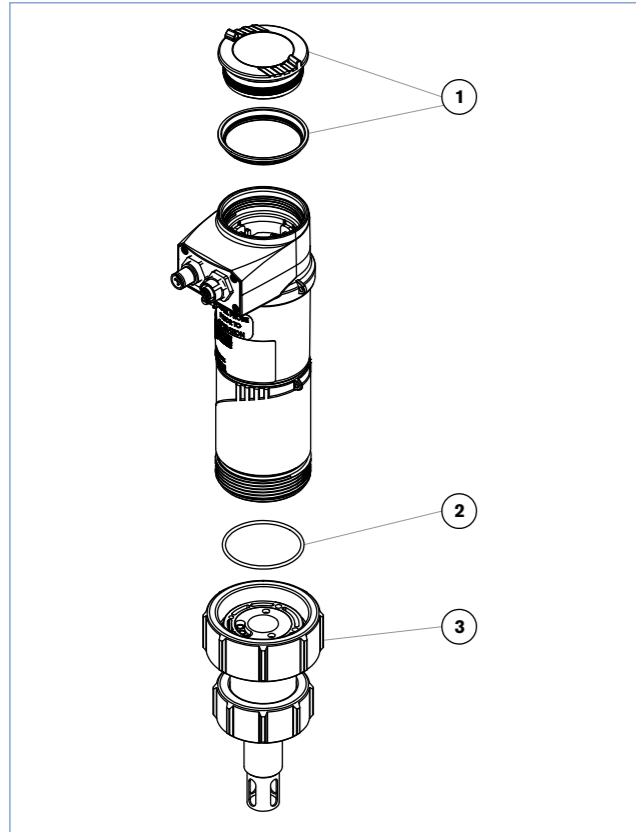
Ordering Chart

Article no. Complete unit	Diagram no.	Pos. 1	
		O-Ring set	Material
		Order no.	
429221	121	429264	FKM
429222	121	429264	FKM
429223	121	429264	FKM
429224	119	552111	1 EPDM+1 FKM
429225	119	552111	1 EPDM+1 FKM
429227	119	552111	1 EPDM+1 FKM
429228	119	552111	1 EPDM+1 FKM
429229	119	552111	1 EPDM+1 FKM
429230	119	552111	1 EPDM+1 FKM
429231	119	552111	1 EPDM+1 FKM
429235	120	429264	FKM
429255	120	429264	FKM



pH or ORP transmitter

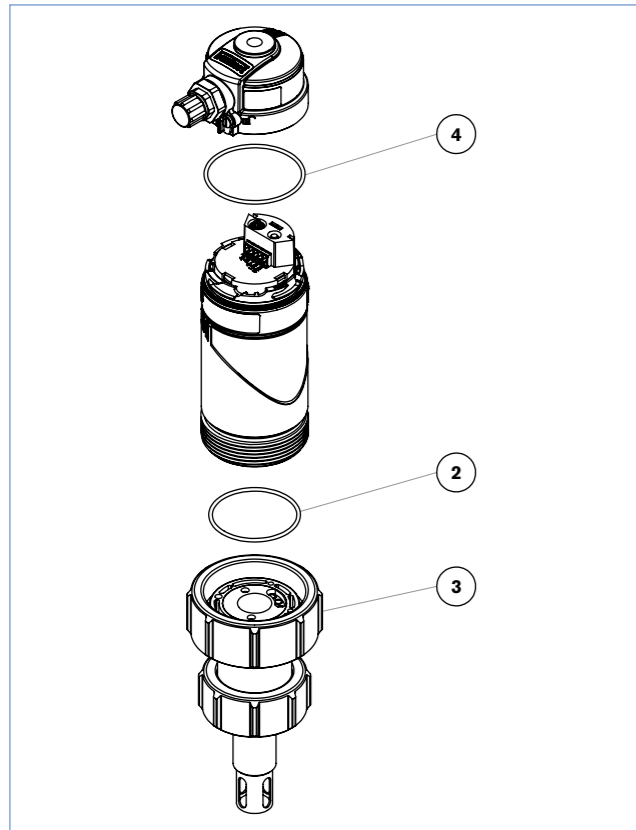
Diagram 122



Ordering Chart

Article no. Complete unit	Diagram no.	Pos. 1 Cover with seal Order no.	Pos. 2 Fitting seal Order no.	Pos. 3 Sensor fittings Order no.	Pos. 4 Cover seal Order no.
559630	122	561843	559169	560947	
559631	122	561843	559169	560947	
559632	122	561843	559169	561476	
559633	122	561843	559169	561476	
559634	122	561843	559169	560947	
559635	122	561843	559169	560947	
559636	122	561843	559169	561476	
559637	122	561843	559169	561476	
561685	123		559169	560947	561752
561686	123		559169	560947	561752
562557	123		559169	560947	561752
562558	123		559169	560947	561752
563518	123		559169	561476	561752

Diagram 123



On-site calibration

You want to save on time and cost?

Contact "Full Service Excellence".

We are happy to check and recalibrate
your mass flow controller on the spot.





pH-Transmitter or controller with digital display

Diagram 124

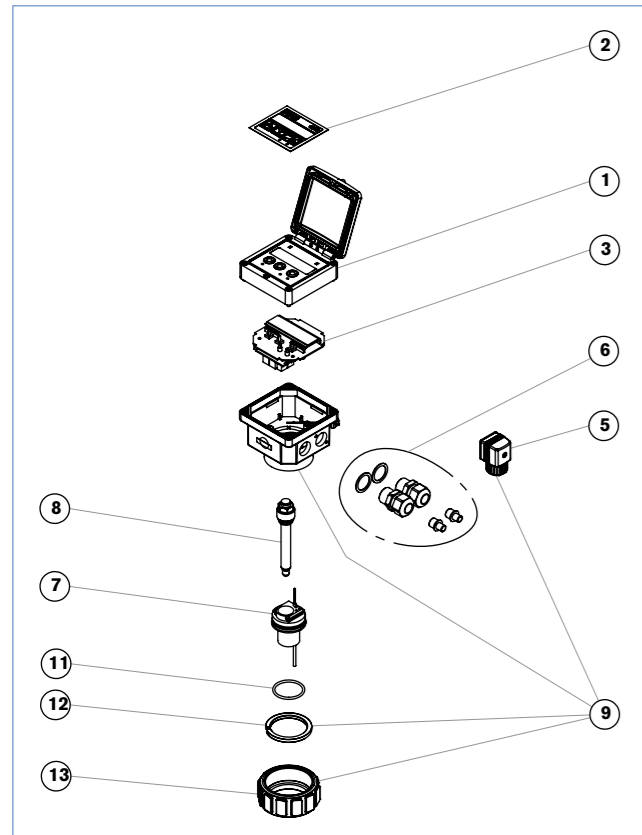


Diagram 126

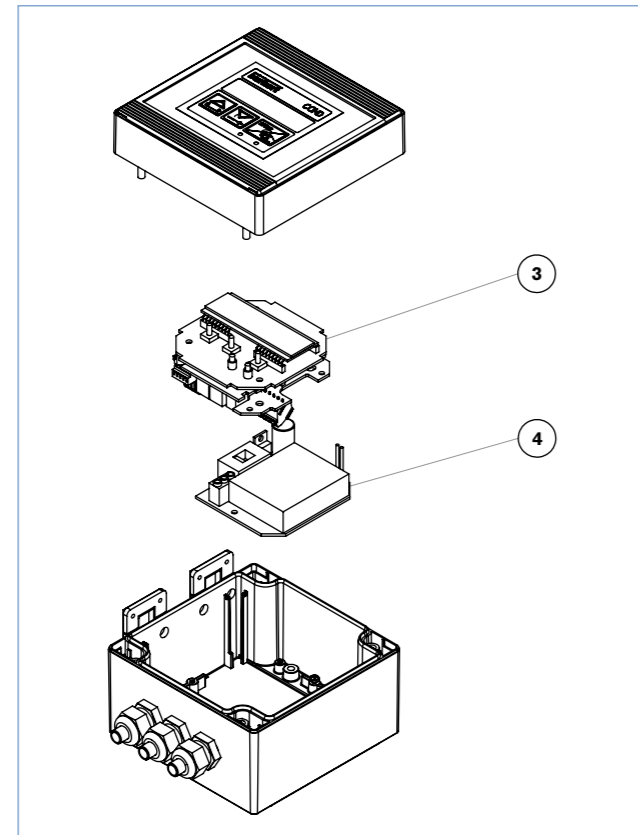
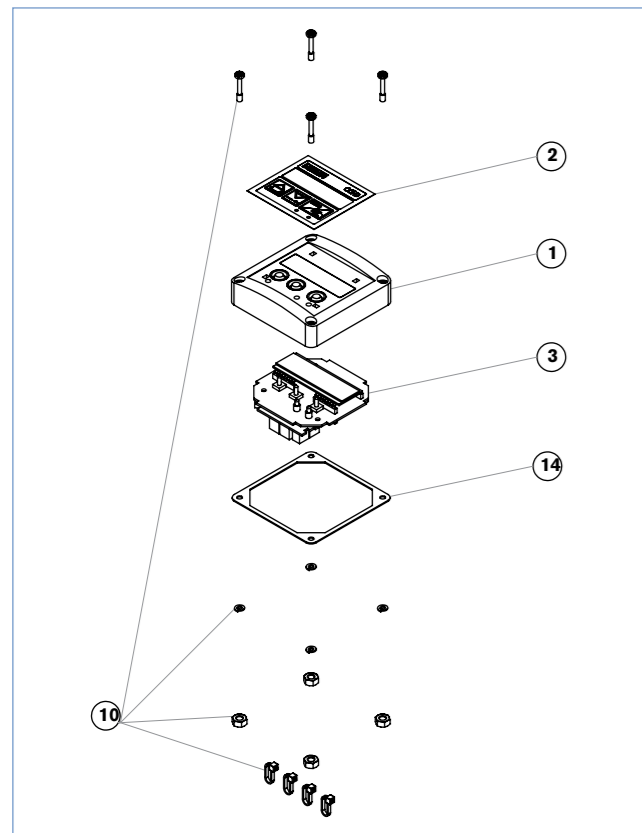


Diagram 125



Ordering Chart

Article no. Complete unit	Diagram no.	Pos. 1 Cover set Order no.	Pos. 2 8 films Order no.	Pos. 3 Electric circuit board Order no.	Pos. 4 Supply circuit board Order no.	Pos. 5 Cable plug Order no.	Pos. 6 Cable glands set Order no.	Pos. 7 Sensor finger Order no.	Pos. 8 Electrode Order no.	Pos. 9 Body set Order no.	Pos. 10 Mounting accessories Order no.	Pos. 11 per 1 O-Ring EPDM+FKM Order no.	Pos. 12 Ring for fitting Order no.	Pos. 12 Union nut Order no.	Pos. 13 Flat seal Order no.
418834	124	553189	553197	555718		438811		418889	552041	425524		552111	619205	619204	
418835	124	553189	553198	555719		449755	551775	418889	552041	425526		552111	619205	619204	
418843	124	553189	553197	555718		449755	551775	418889	552041	425526		552111	619205	619204	
426430	124	553189				449755	551775	418889	552041	425526		552111	619205	619204	
426450	124	553189				449755	551775	418889	552041	425526		552111	619205	619204	
427937	125	555849	553197	555718							554807				419350
427938	125	555849	553198	555719							554807				419350
427939	125	555849									554807				419350
427941	125	555849									554807				419350
427944	126			555718											
427945	126			555719											
427949	126			555718	555722										
427950	126			555719	555722										
427951	126				555722										
427953	126				555722										
448708	124	553189	553198	555719		449755	551775	418889		425526		552111	619205	619204	
448709	124	553189	553197	555718		449755	551775	418889		425526		552111	619205	619204	
550334	124	553189	553197	555718		438811		418889		425524		552111	619205	619204	
550356	124	553189				449755	551775	418889		425526		552111	619205	619204	
559353	124	553189	553197	555718		438811		418889	634505	425524		552111	619205	619204	
559375	124	553189	553197	555718		449755	551775	418889	634505	425526		552111	619205	619204	
561928	124	553189	553198	555719		449755	551775	418889	634505	425526		552111	619205	619204	



pH-Transmitter or controller with digital display



Redox transmitter with digital display

Ordering Chart

Article no. Complete unit	Diagram no.	Pos. 1 Supply circuit board Order no.	Pos. 2 Cable plug Order no.	Pos. 3 Cable glands set Order no.	Pos. 4 Sensor finger Order no.	Pos. 5 Electrode Order no.	Pos. 6 Body set Order no.	Pos. 7 Mounting set Order no.	Pos. 8 per 1 O-Ring EPDM+FKM Order no.	Pos. 9 Ring for fitting Order no.	Pos. 10 Union nut Order no.	Pos. 11 Flat seal Order no.
418836	127		438811		418889	634507	425524		552111	619205	619204	
418837	127		449755	551775	418889	634507	425526		552111	619205	619204	
418850	127		449755	551775	418889	634507	425526		552111	619205	619204	
427994	127		438811		418889		425524		552111	619205	619204	
427996	127		449755	551775	418889		425526		552111	619205	619204	
429088	128							554807	419350			419350
430754	128							554807	419350			419350
430757	129	555722										
430758	129	555722										

Redox transmitter with digital display



Diagram 127

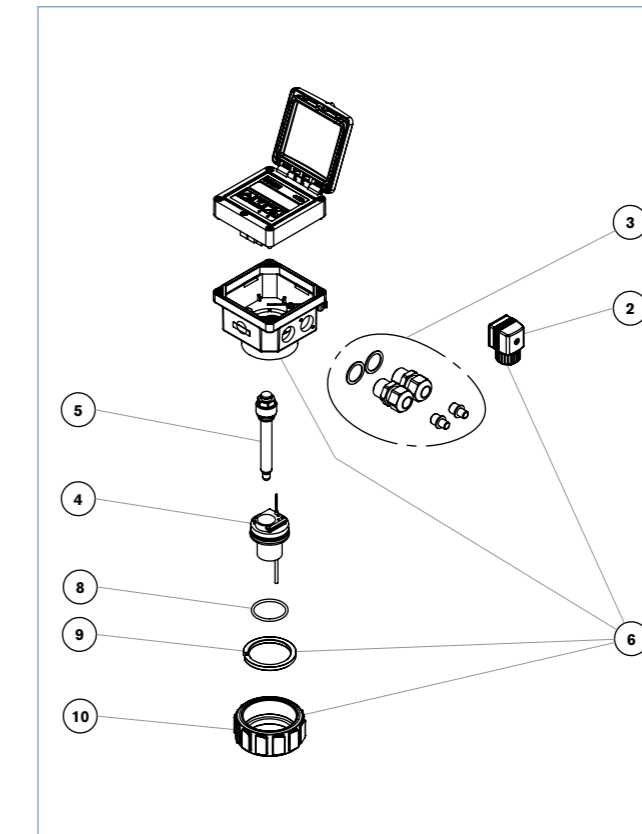


Diagram 129

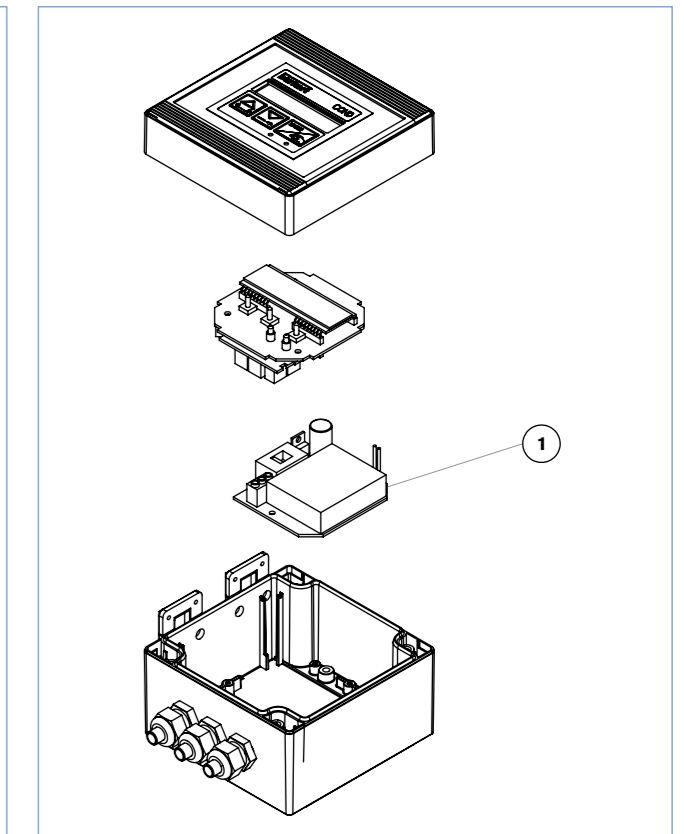
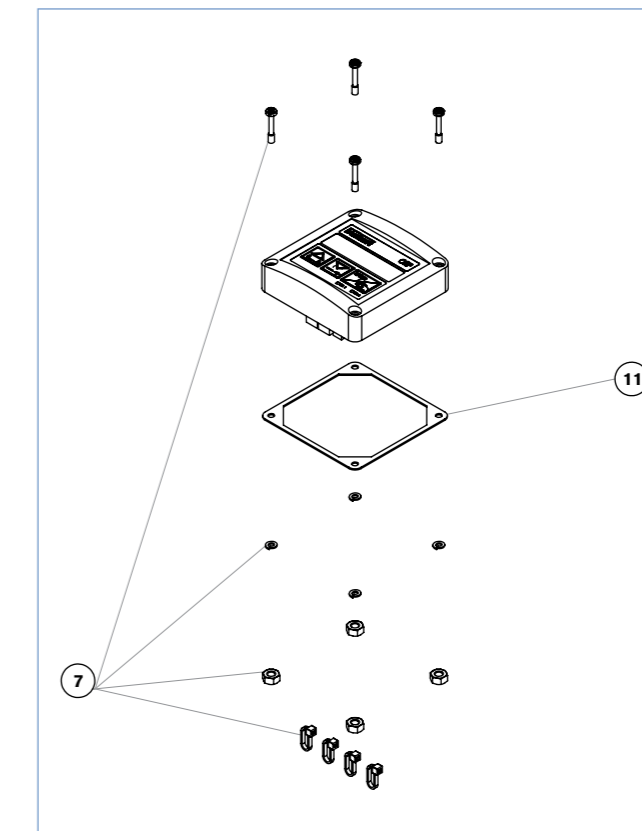


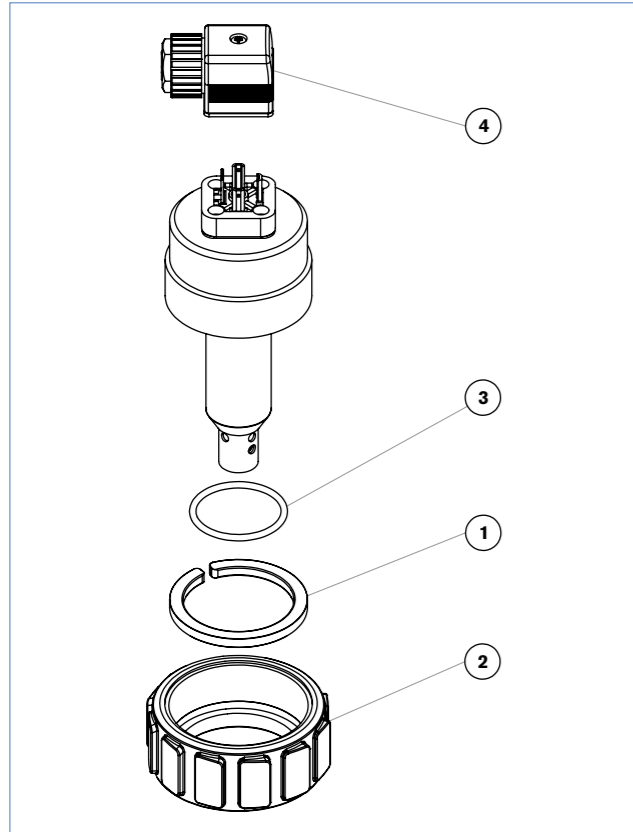
Diagram 128





Conductivity sensors

Diagram 130



Ordering Chart

Article no. Complete unit	Diagram no.	Pos. 1 Ring for fitting Order no.	Pos. 2 Union nut Order no.	Pos. 3 O-Ring set 1 EPDM + 1 FKM Order no.	Pos. 4 Cable plug Order no.
426872	130	619205	619204	552111	438811
426873	130	619205	619204	552111	438811
426874	130	619205	619204	552111	438811
426875	130	619205	619204	552111	438811

Your system ...

...remains technically and economically in top shape.

Full Service Excellence assures the highest productivity and thereby increases cost effectiveness and competitiveness.





Conductivity transmitter

Diagram 131

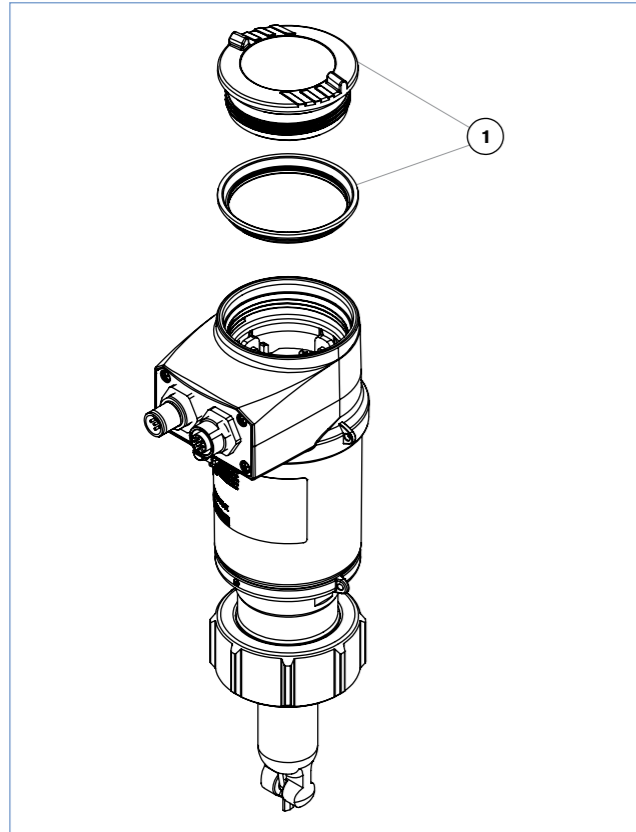


Diagram 133

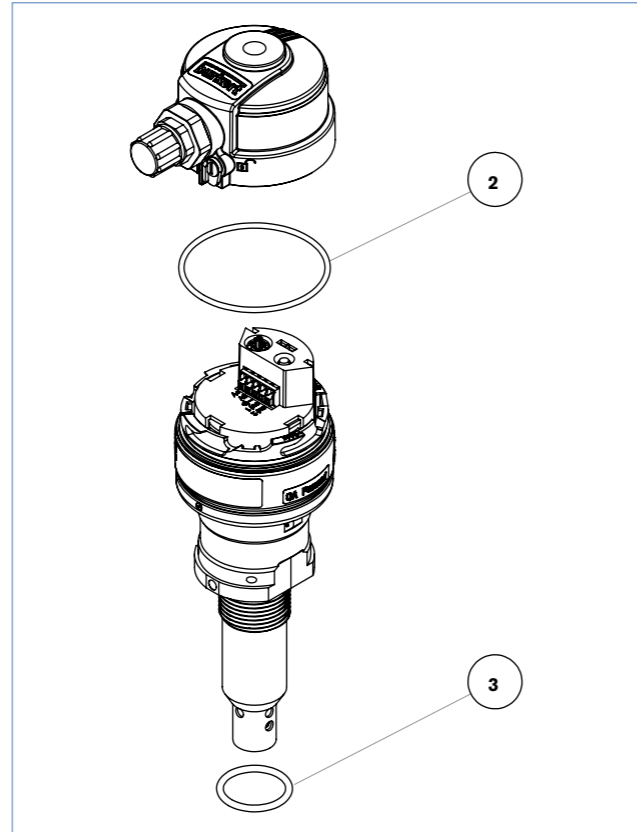
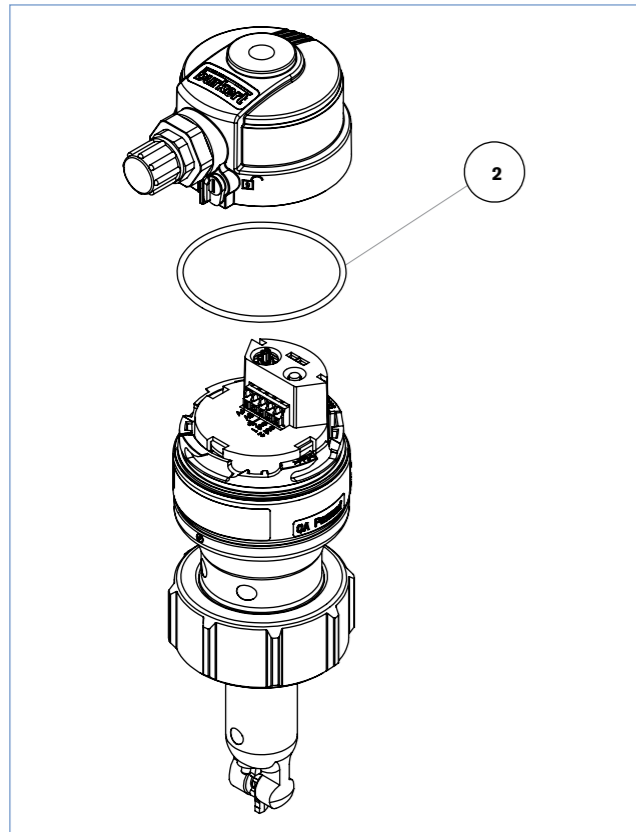


Diagram 132



Conductivity transmitter



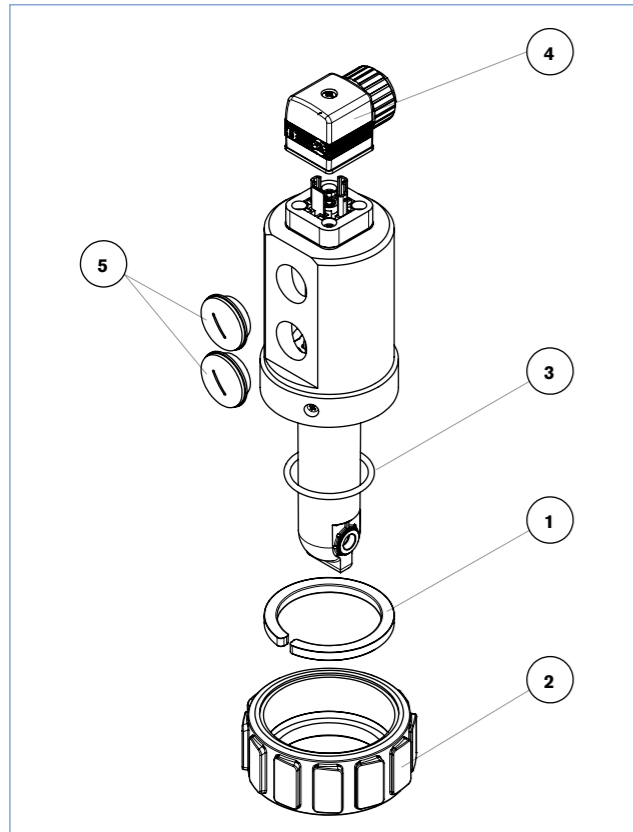
Ordering Chart

Article no. Complete unit	Diagram no.	Pos. 1 Cover with seal Order no.	Pos. 2 Cover seal Order no.	Pos. 3 Seal for sensor finger Order no.
559610	131	561843		
559611	131	561843		
559612	131	561843		
559613	131	561843		
559614	131	561843		
559615	131	561843		
559616	131	561843		
559617	131	561843		
559618	131	561843		
559619	131	561843		
559620	131	561843		
559621	131	561843		
559622	131	561843		
559623	131	561843		
559624	131	561843		
559625	131	561843		
559626	131	561843		
559627	131	561843		
559638	131	561843		
559639	131	561843		
561661	132		561752	
561662	132		561752	
561663	132		561752	
561664	132		561752	
561665	132		561752	
561666	132		561752	
561667	133		561752	561955
561668	133		561752	561955
561669	133		561752	561955
561670	133		561752	561955
561671	133		561752	561955
561672	133		561752	561955
562271	132		561752	
562394	131	561843		
562395	131	561843		
562396	131	561843		
562397	131	561843		
562478	132		561752	
562479	132		561752	
562503	132		561752	
562546	132		561752	
562548	132		561752	
562550	132		561752	
562552	133		561752	561955
562554	133		561752	561955
562556	133		561752	561955
562652	132		561752	
562653	132		561752	



Inductive conductivity transmitter without display

Diagram 134



Ordering Chart

Article no. Complete unit	Diagram no.	Pos. 1 Ring for fitting Order no.	Pos. 2 Union nut Order no.	Pos. 3 O-Ring set 1 EPDM+1 FKM Order no.	Pos. 4 Cable plug Order no.	Pos. 5 Blanking plug set Order no.
440440	134	619205	619204	552111	156927	449755
550335	134	619205	619204	552111	156927	449755
558767	134	619205	619204	552111	156927	449755

Fault elimination

Is your system complete?

“Fullservice Excellence” provides you with preferential treatment and the fastest possible solution for your system fault





Conductive conductivity transmitter with digital display

Diagram 135

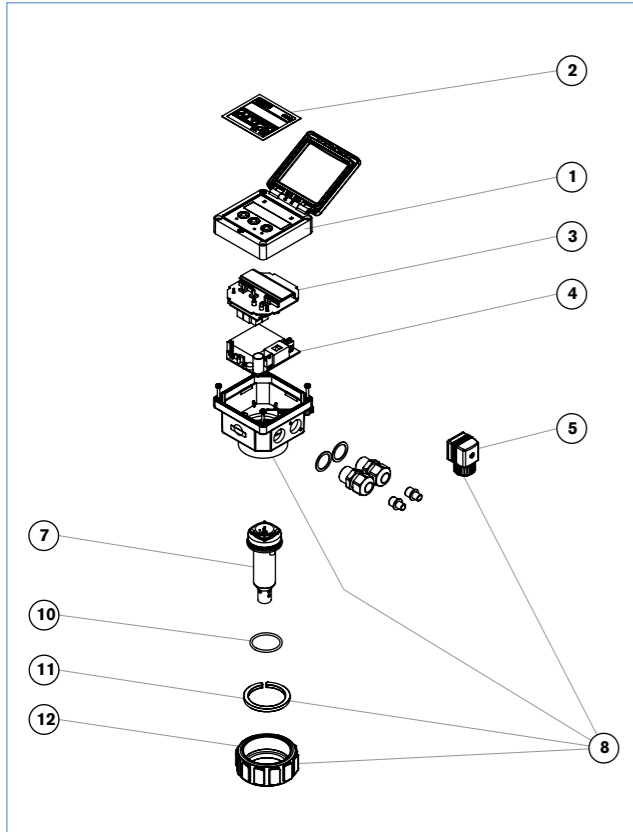


Diagram 137

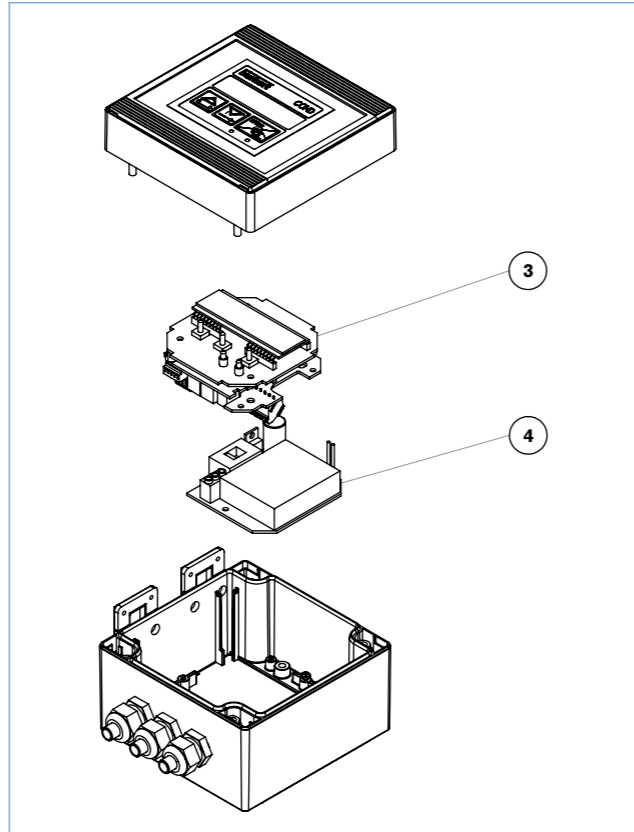


Diagram 136

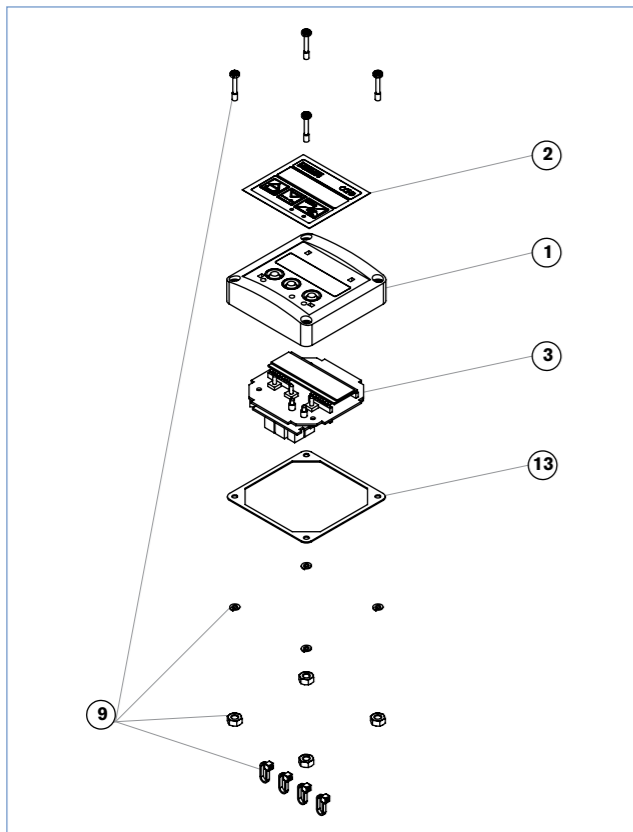
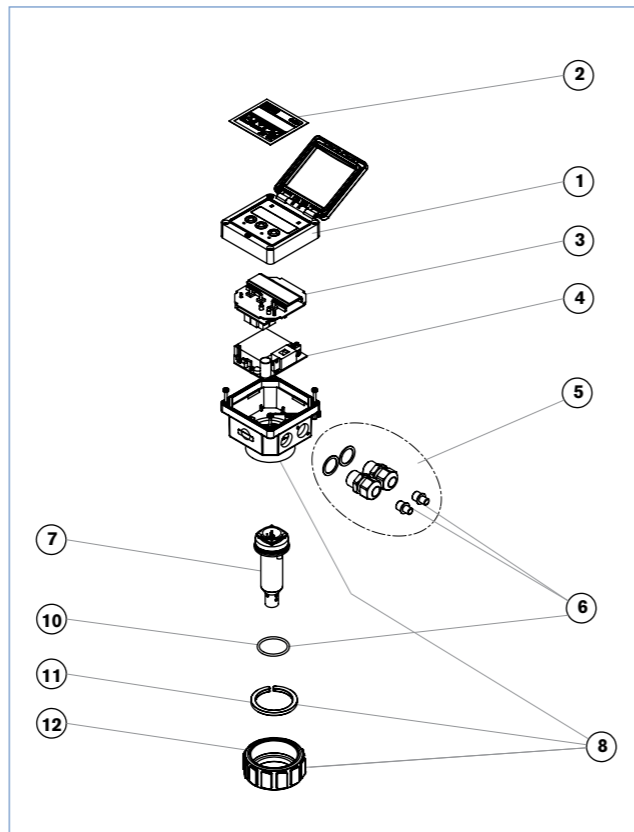


Diagram 138



Conductive conductivity transmitter with digital display



Ordering Chart

Article no. Complete unit	Diagram no.	Pos. 1	Pos. 2	Pos. 3	Pos. 4	Pos. 5	Pos. 6	Pos. 7	Pos. 8	Pos. 9	Pos. 10	Pos. 11	Pos. 12	Pos. 13	
		Cover	8 films	Electronic circuit board	Supply circuit board	Connection set									Plug set
		Order no.	Order no.	Order no.	Order no.	Order no.	Order no.	Order no.	Order no.	Order no.	Order no.	Order no.	Order no.	Order no.	
418950	135	553189	553193	553179		438811				633367	425524		552111	619205	619204
418951	135	553189	553193	553179		438811				631647	425524		552111	619205	619204
418952	135	553189	553193	553179		438811				418217	425524		552111	619205	619204
418953	135	553189	553193	553179		438811				634759	425524		552111	619205	619204
418954	135	553189	553194	553180		449755				551775	633367	425526	552111	619205	619204
418955	135	553189	553194	553180		449755				551775	631647	425526	552111	619205	619204
418956	135	553189	553194	553180		449755				551775	418217	425526	552111	619205	619204
418957	135	553189	553194	553180		449755				551775	634759	425526	552111	619205	619204
418962	135	553189	553193	553179		449755				551775	633367	425526	552111	619205	619204
418963	135	553189	553193	553179		449755				551775	631647	425526	552111	619205	619204
418964	135	553189	553193	553179		449755				551775	418217	425526	552111	619205	619204
418965	135	553189	553193	553179		449755				551775	634759	425526	552111	619205	619204
426830	136	555849	553193	553179								554807			419350
426831	136	555849	553194	553180								554807			419350
426834	137			553179											
426835	137			553180											
426836	137			553179		555722									
426837	137			553180		555722									
426935	138	553189	553193	553179	553168	449755				551775	633367	425526	552111	619205	619204
426936	138	553189	553193	553179	553168	449755				551775	631647	425526	552111	619205	619204
426937	138	553189	553193	553179	553168	449755				551775	418217	425526	552111	619205	619204
426938	138	553189	553193	553179	553168	449755				551775	634759	425526	552111	619205	619204
426943	138	553189	553194	553180	553168	449755				551775	633367	425526	552111	619205	619204
426944	138	553189	553194	553180	553168	449755				551775	631647	425526	552111	619205	619204
426945	138	553189	553194	553180	553168	449755				551775	418217	425526	552111	619205	619204
426946	138	553189	553194	553180	553168	449755				551775	634759	425526	552111	619205	619204



Conductive conductivity transmitter with digital display

Diagram 139

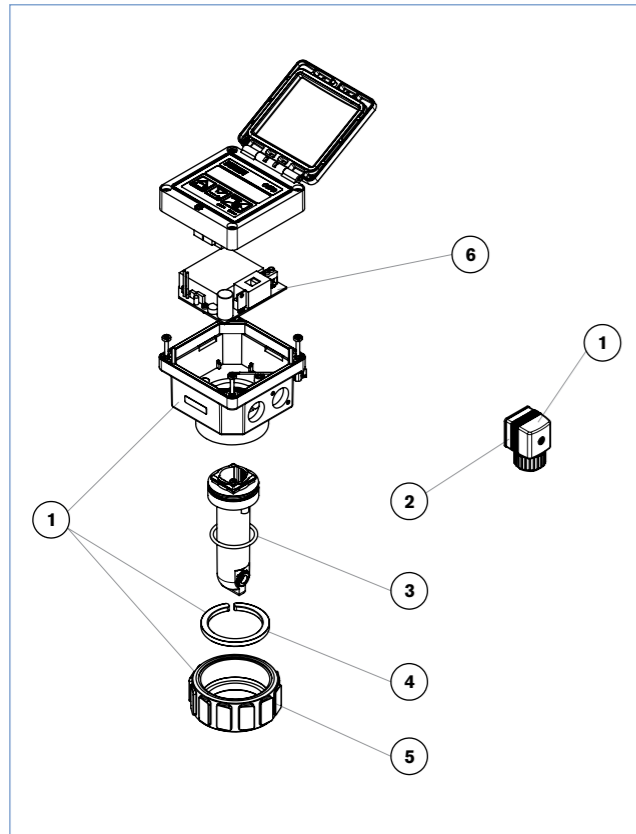


Diagram 140

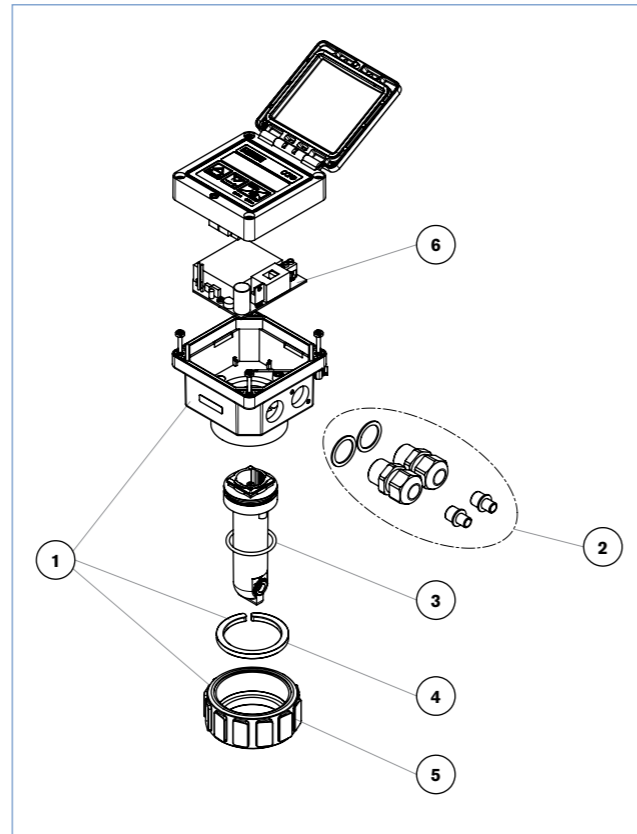
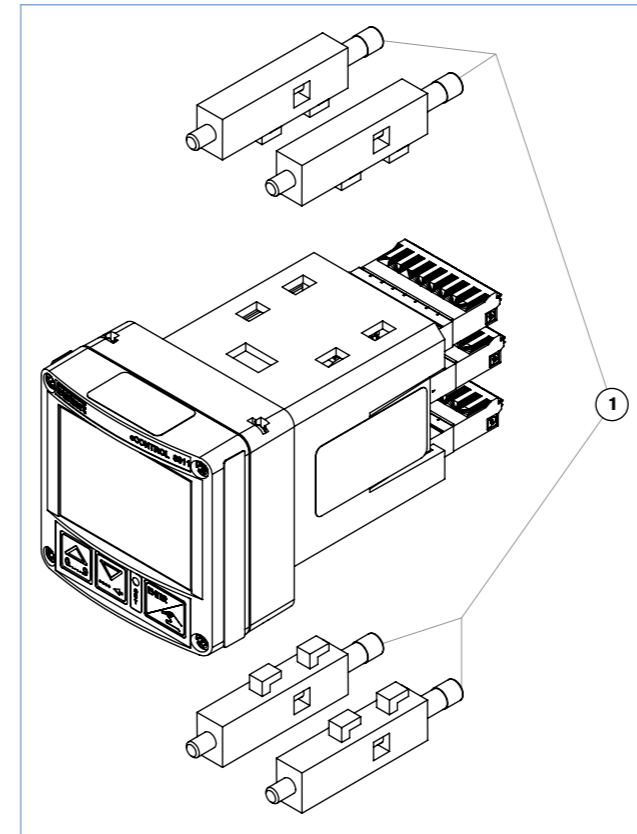


Diagram 141



Compact universal controller eControl



Ordering Chart

Article no. Complete unit	Diagram no.	Pos. 1 4 Mounting brackets	
		Diagram no.	Order no.
210206	141		560935
562655	141		560935

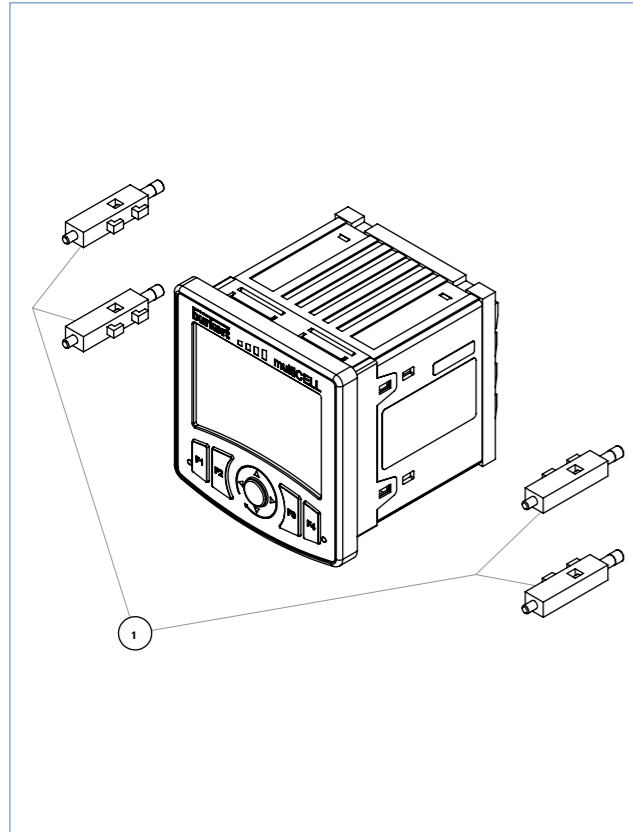
Ordering Chart

Article no. Complete unit	Diagram no.	Pos. 1 Body set		Pos. 2 Device connection		Pos. 3 O-Ring Set 1 EPDM +1 FKM	Pos. 4 Ring for fitting	Pos. 5 Union nut	Pos. 6 Supply circuit board
		Order no.	Order no.	Order no.	Order no.				
431673	139	552400	438811	Cable plug	552111	619205	619204		
431674	140	552398	449755	Cable gland	552111	619205	619204		
431677	139	552398	449755	Cable gland	552111	619205	619204	553168	
431679	140	552398	449755	Cable gland	552111	619205	619204		
431681	139	552398	449755	Cable gland	552111	619205	619204	553168	
440321	139	552401	438811	Cable plug	552111	619205	440229		
440322	140	552399	449755	Cable gland	552111	619205	440229		
440323	139	552399	449755	Cable gland	552111	619205	440229	553168	
440324	140	552399	449755	Cable gland	552111	619205	440229		
440325	139	552399	449755	Cable gland	552111	619205	440229	553168	
558768	139	552400	438811	Cable plug	552111	619205	619204		
558769	140	552398	449755	Cable gland	552111	619205	619204		
558770	140	552398	449755	Cable gland	552111	619205	619204		
558771	139	552398	449755	Cable gland	552111	619205	619204	553168	
558772	139	552398	449755	Cable gland	552111	619205	619204	553168	



MultiCELL - multifunctions transmitter / controller

Diagram 142



Ordering Chart

Article no. Complete unit	Diagram no.	Pos. 1 4 Mounting brackets Order no.	Article no. Complete unit	Diagram no.	Pos. 1 4 Mounting brackets Order no.
560200	142	560225	562982	142	560225
560201	142	560225	562990	142	560225
560202	142	560225	562992	142	560225
560203	142	560225	563018	142	560225
560204	142	560225	563020	142	560225
560205	142	560225	563065	142	560225
560206	142	560225	563082	142	560225
560207	142	560225	563085	142	560225
560208	142	560225	563089	142	560225
560209	142	560225	563090	142	560225
560210	142	560225	563100	142	560225
560211	142	560225	563107	142	560225
560212	142	560225	563117	142	560225
560213	142	560225	563120	142	560225
560214	142	560225	563122	142	560225
560215	142	560225	563126	142	560225
560216	142	560225	563151	142	560225
560217	142	560225	563157	142	560225
560218	142	560225	563160	142	560225
560219	142	560225	563161	142	560225
560220	142	560225	563190	142	560225
560237	142	560225	563204	142	560225
560244	142	560225	563226	142	560225
562237	142	560225	563227	142	560225
562238	142	560225	563268	142	560225
562612	142	560225	563274	142	560225
562637	142	560225	563340	142	560225
562638	142	560225	563341	142	560225
562639	142	560225	563342	142	560225
562640	142	560225	563347	142	560225
562651	142	560225	563358	142	560225
562680	142	560225	563369	142	560225
562695	142	560225	563370	142	560225
562696	142	560225	563414	142	560225
562732	142	560225	563419	142	560225
562738	142	560225	563428	142	560225
562741	142	560225	563429	142	560225
562760	142	560225	563430	142	560225
562768	142	560225	563433	142	560225
562775	142	560225	563435	142	560225
562781	142	560225	563468	142	560225
562782	142	560225	563480	142	560225
562783	142	560225	563490	142	560225
562784	142	560225	563492	142	560225
562785	142	560225	563501	142	560225
562786	142	560225	563526	142	560225
562787	142	560225	563529	142	560225
562795	142	560225			
562849	142	560225			
562889	142	560225			
562890	142	560225			
562891	142	560225			
562894	142	560225			
562896	142	560225			
562914	142	560225			
562915	142	560225			
562917	142	560225			
562930	142	560225			
562943	142	560225			
562950	142	560225			
562969	142	560225			
562978	142	560225			
562981	142	560225			

Worldwide planning

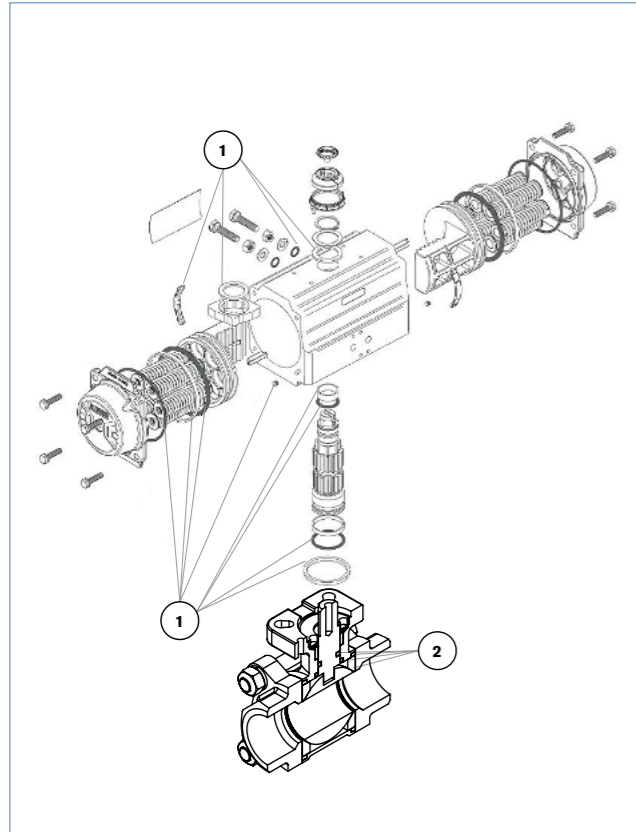
We support our customers with maintenance and commissioning in over 20 countries,





2/2 and 3/2 way ball valve
with pneumatic rotary drive

Diagram 143



Ordering Chart

Article no. Complete unit	Diagram no.	Pos. 1 Consumable parts, actuator		Pos. 2 Consumable parts, fitting	
		Order no.	Actuator size	Order no.	Orifice
217232	143	770811	2051-15		
217233	143	770811	2051-15		
217234	143	770812	2051-30		
217235	143	770813	2051-60		
217236	143	770813	2051-60		
217237	143	770814	2051-100		
217238	143	770815	2051-150		
217239	143	770816	2051-220		
217240	143	770811	2051-15		
217241	143	770811	2051-15		
217242	143	770811	2051-15		
217243	143	770812	2051-30		
217244	143	770812	2051-30		
217245	143	770813	2051-60		
217246	143	770814	2051-100		
217247	143	770814	2051-100		
217250	143	770811	2051-15		
217251	143	770811	2051-15		
217252	143	770812	2051-30	789821	DN15
217253	143	770812	2051-30	789822	DN20
217254	143	770813	2051-60	789823	DN25
217255	143	770813	2051-60	789824	DN32
217256	143	770814	2051-100	789825	DN40
217257	143	770814	2051-100	789826	DN50
217258	143	770815	2051-150	789827	DN65
217259	143	770816	2051-220	789828	DN80
217260	143	770817	2051-300	789829	DN100
217261	143	770811	2051-15	789821	DN15
217262	143	770812	2051-30	789821	DN15
217263	143	770812	2051-30	789822	DN20
217264	143	770813	2051-60	789823	DN25
217265	143	770813	2051-60	789824	DN32
217266	143	770814	2051-100	789825	DN40
217267	143	770814	2051-100	789826	DN50
217268	143	770815	2051-150	789827	DN65
217269	143	770816	2051-220	789828	DN80
217270	143	770817	2051-300	789829	DN100
217271	143	770811	2051-15	789821	DN15
217272	143	770811	2051-15	789821	DN15
217273	143	770811	2051-15	789821	DN15
217274	143	770811	2051-15	789822	DN20
217275	143	770811	2051-15	789823	DN25
217276	143	770812	2051-30	789824	DN32
217277	143	770812	2051-30	789825	DN40
217278	143	770813	2051-60	789826	DN50
217279	143	770814	2051-100	789827	DN65
217280	143	770815	2051-150	789828	DN80
217281	143			789829	DN100
217282	143	770811	2051-15	789821	DN15
217283	143	770811	2051-15	789821	DN15
217284	143	770811	2051-15	789822	DN20
217285	143	770811	2051-15	789823	DN25
217286	143	770812	2051-30	789824	DN32
217287	143	770812	2051-30	789825	DN40
217288	143	770813	2051-60	789826	DN50
217289	143	770814	2051-100	789827	DN65
217290	143	770815	2051-150	789828	DN80
217291	143	770815	2051-150	789829	DN100
217292	143	770811	2051-15	789821	DN15
217293	143	770811	2051-15	789821	DN15
217294	143	770811	2051-15	789821	DN15
217295	143	770811	2051-15	789822	DN20
217296	143	770813	2051-60	789823	DN25
217297	143	770813	2051-60	789824	DN32
217298	143	770814	2051-100	789825	DN40
217299	143	770814	2051-100	789826	DN50
217300	143	770815	2051-150	789827	DN65

Ordering Chart

Article no. Complete unit	Diagram no.	Pos. 1 Consumable parts, actuator		Pos. 2 Consumable parts, fitting	
		Order no.	Actuator size	Order no.	Orifice
217301	143	770816	2051-220	789828	DN80
217302	143	770817	2051-300	789829	DN100
217306	143	770812	2051-30		
217307	143	770813	2051-60		
217308	143	770813	2051-60		
217309	143	770814	2051-100		
217310	143	770815	2051-150		
217311	143	770816	2051-220		
217312	143	770817	2051-300		
217313	143	770817	2051-300		
217314	143	770811	2051-15		
217315	143	770812	2051-30		
217316	143	770812	2051-30		
217317	143	770813	2051-60		
217318	143	770813	2051-60		
217319	143	770814	2051-100		
217320	143	770814	2051-100		
217321	143	770815	2051-150		
217325	143	770812	2051-30		
217326	143	770812	2051-30		
217327	143	770812	2051-30		
217328	143	770813	2051-60		
217329	143	770813	2051-60		
217330	143	770814	2051-100		
217331	143	770814	2051-100		
217332	143	770815	2051-150		
217333	143	770811	2051-15		
217334	143	770811	2051-15		
217335	143	770811	2051-15		
217336	143	770811	2051-15		
217337	143	770812	2051-30		
217338	143	770813	2051-60		
217339	143	770813	2051-60		
217340	143	770814	2051-100		
217342	143	770812	2051-30		
217343	143	770812	2051-30		
217344	143	770812	2051-30		
217345	143	770813	2051-60		
217346	143	770813	2051-60		
217347	143	770814	2051-100		
217348	143	770814	2051-100		
217349	143	770815	2051-150		
217352	143	770811	2051-15		
217353	143	770811	2051-15		
217354	143	770811	2051-15		
217355	143	770811	2051-15		
217356	143	770812	2051-30		
217357	143	770813	2051-60		
217358	143	770813	2051-60		
217359	143	770814	2051-100		

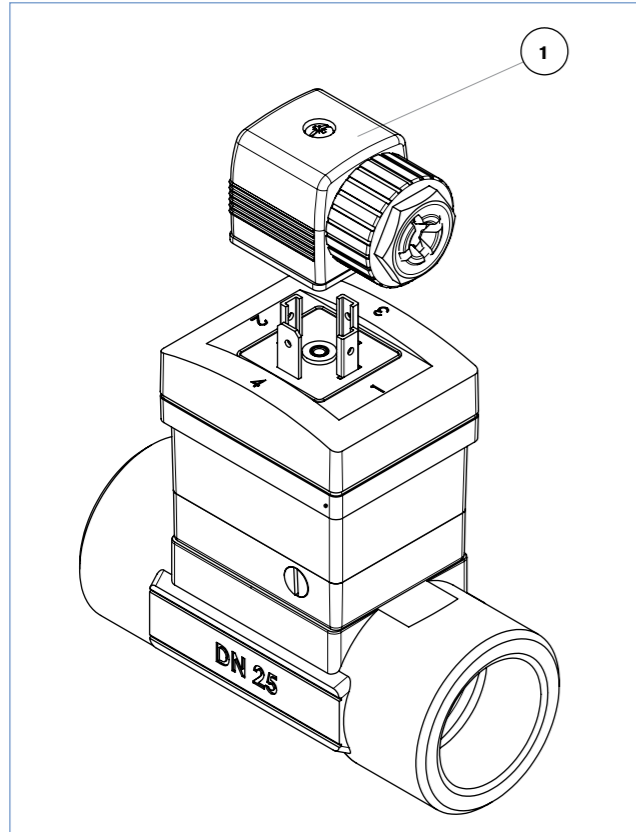
2/2 and 3/2 way ball valve
with pneumatic rotary drive





Inline Flowmeter

Diagram 144



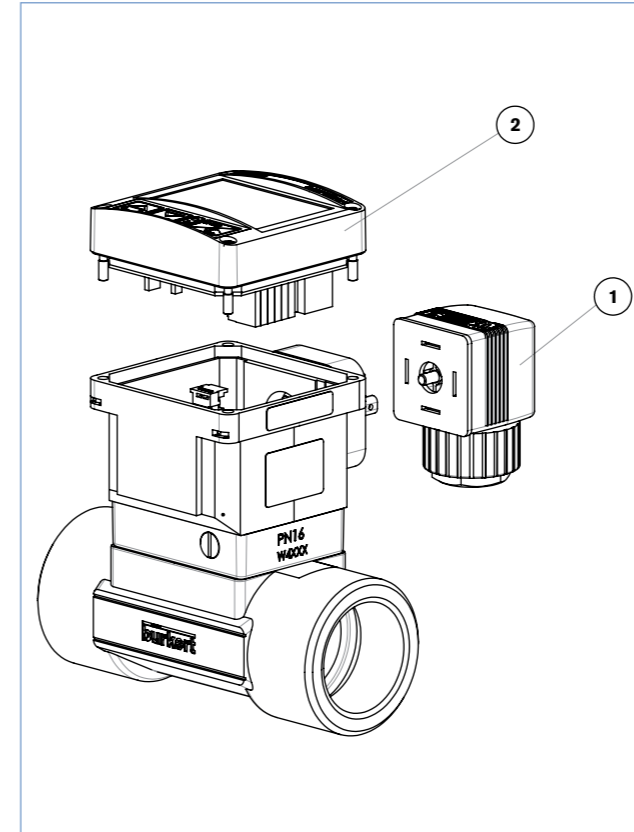
Ordering Chart

Article no. Complete unit	Diagram no.	Pos. 1 Cable plug	
		Order no.	
423913	144	438811	
423914	144	438811	
449693	144	156927	
449694	144	156927	
552901	144	167526	
553455	144	167526	
554723	144	438811	

Flowmeter



Diagram 145



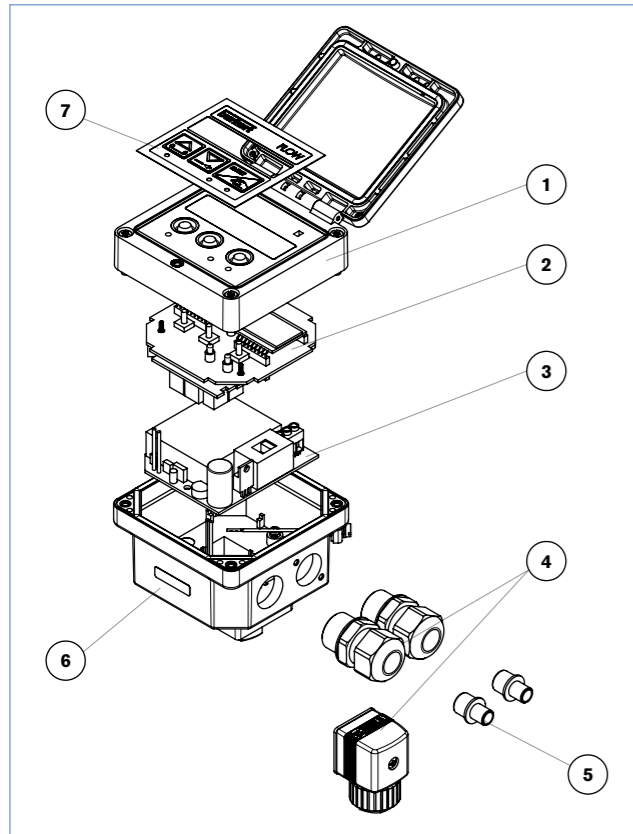
Ordering Chart

Article no. Complete unit	Diagram no.	Pos. 1 Cable plug		Pos. 2 Cover cpl. with circuit board	
		Order no.		Order no.	
434871	145	438811			
436473	145			563103	
436474	145	438811			
436475	145	438811		563104	
444699	145	438811			
553431	145			563103	
560402	145	438811		563106	
560403	145			563105	
560547	145	438811		563106	



Digitaler flow transmitter for continuous measurement

Diagram 146



Ordering Chart

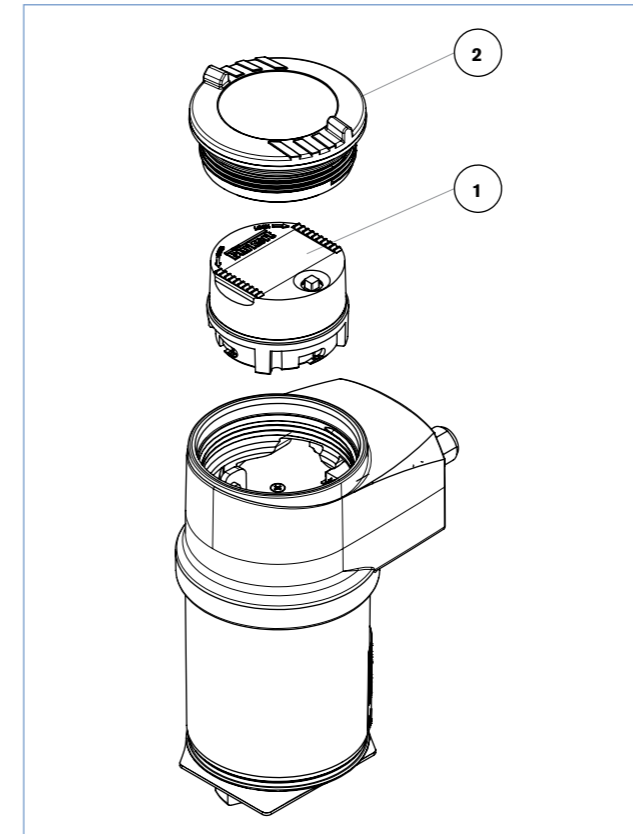
Article no. Complete unit	Diagram no.	Pos. 1 Cover with window		Pos. 2 Electronic circuit board		Pos. 3 Supply circuit board		Pos. 4 Electric device connection		Pos. 5 Stopper for cable gland		Pos. 6 body		Pos. 7 8 films	
		Order no.	Order no.	Order no.	Order no.	Order no.	Order no.	Order no.	Order no.	Order no.	Order no.	Order no.	Order no.	Order no.	
423915	146	553189	553169					438811	Cable plug			425246		553191	
423916	146	553189	553169					449755	Cable gland	551775		425247		553191	
423918	146	553189	553170					449755	Cable gland	551775		425247		553192	
423920	146	553189						449755	Cable gland	551775		425247		553192	
423921	146	553189										425247		553191	
423922	146	553189	553169	553168	449755			449755	Cable gland	551775		425248		553191	
423924	146	553189	553170	553168	449755			449755	Cable gland	551775		425248		553192	
423926	146	553189		553168	449755			449755	Cable gland	551775		425248		553192	
443360	146	553189			449755			449755	Cable gland	551775		425248		553192	
444005	146	553189	553169		438811			425246	Cable plug			425246		553191	
444006	146	553189	553169		449755			425248	Cable gland	551775		425248		553191	
444007	146	553189	553170		449755			425248	Cable gland	551775		425248		553192	
449152	146	553189										425247		553191	
553432	146	553189	553169		449755			425248	Cable gland	551775		425248		553191	
553433	146	553189	553170		449755			425248	Cable gland	551775		425248		553192	
554022	146	553189	553169		449755			425248	Cable gland	551775		425248		553191	
554023	146	553189	553170		449755			425247	Cable gland	551775		425247		553192	
554024	146	553189	553169	553168	449755			425248	Cable gland	551775		425248		553191	
554025	146	553189	553170	553168	449755			425248	Cable gland	551775		425248		553192	
554026	146	553189			449755			425247	Cable gland	551775		425247		553192	
554027	146	553189		553168	449755			425248	Cable gland	551775		425248		553192	
557855	146	553189	553170		449755			425247	Cable gland	551775		425247		553192	
557856	146	553189	553170	553168	449755			425248	Cable gland	551775		425248		553192	

Note: see corresponding manuals on www.burkert.com under the field, documentation manuals.

Flowmeter



Diagram 147



Ordering Chart

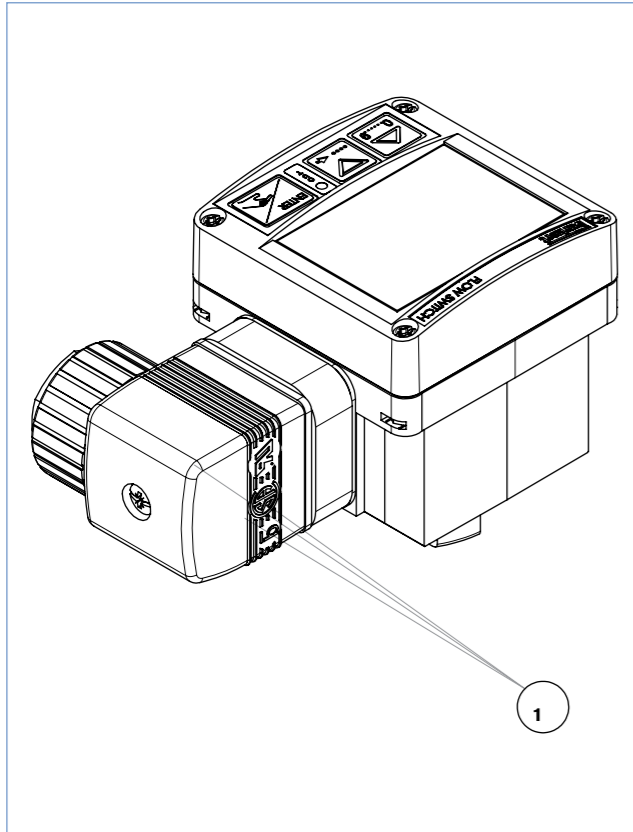
Article no. Complete unit	Diagram no.	Pos. 1 Programming module		Pos. 2 Cover with seal	
		Order no.	Order no.	Order no.	Order no.
560880	147				561843
560881	147				561843
560882	147				561843
560883	147				561843
560884	147				561843
560885	147				561843
561880	147	559168			561843
561881	147	559168			561843
561882	147	559168			561843
561883	147	559168			561843
561884	147	559168			561843
561885	147	559168			561843

If you do not find anything there or have further questions, please call +49 7940 10 91 100.



Paddle wheel flowmeter

Diagram 148



Ordering Chart

Article no. Complete unit	Diagram no.	Pos. 1
		Cable plug
		Order no.
440378	148	438811
440379	148	438811
440382	148	438811
447806	148	438811

Reference measurements

With "Full Service Excellence," you have the ability to perform comparative measurements in your system.





Sensor fitting

Diagram 149

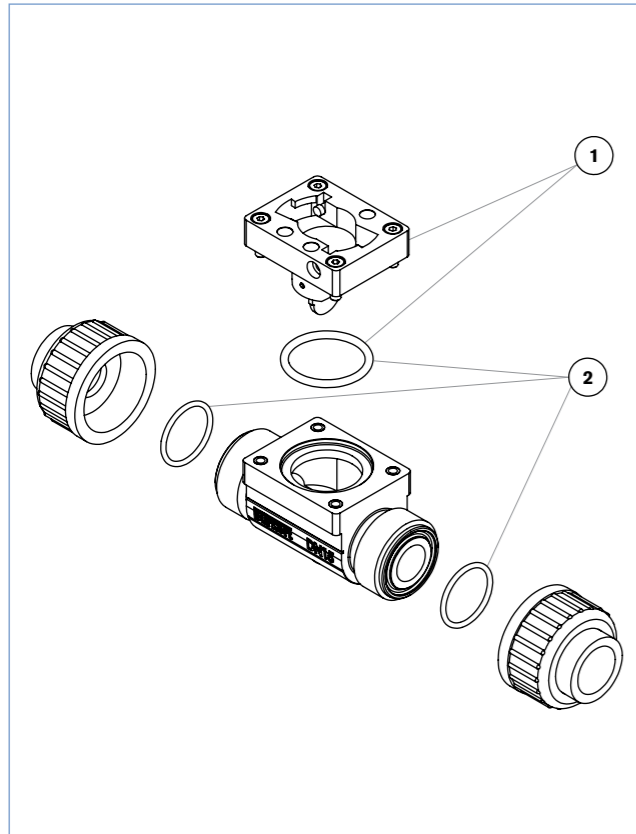
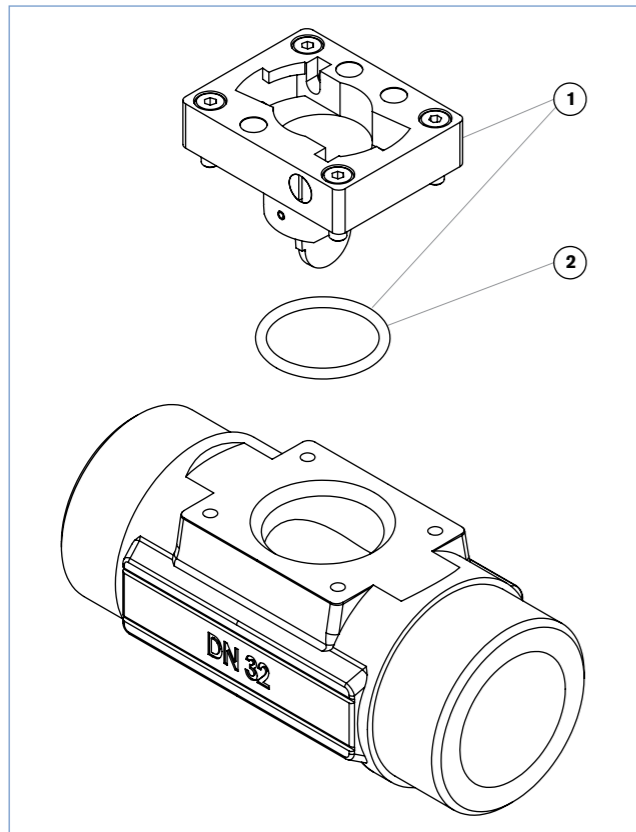


Diagram 150



Ordering Chart

Article no. Complete unit	Diagram no.	Pos. 1 Sensor fittings with seal		Pos. 2 O-Ring set FKM	
		Order no.	Material	Order no.	Orifice
438091	149			431555	DN15
438092	149			431556	DN20
438093	149			431557	DN25
438094	149			431558	DN32
438095	149			431559	DN40
438097	149			431558	DN32
438098	149			431559	DN40
438099	149			431560	DN50
438100	149			431555	DN15
438102	149			431557	DN25
438103	149			431558	DN32
438109	149			431555	DN15
438110	149			431556	DN20
438111	149			431557	DN25
438112	149			431558	DN32
438113	149			431559	DN40
438115	149			431558	DN32
438116	149			431559	DN40
438117	149			431560	DN50
438118	149			431555	DN15
438119	149			431556	DN20
438120	149			431557	DN25
438122	149			431559	DN40
438125	149			431559	DN40
438126	149			431560	DN50
438127	149			431555	DN15
438128	149			431556	DN20
438129	149			431557	DN25
438131	149			431559	DN40
438133	149			431558	DN32
438138	149			431557	DN25
438140	149			431559	DN40
438144	149			431560	DN50
438163	150	561761	Br FKM	426340	DN15 - 50
438164	150	561761	Br FKM	426340	DN15 - 50
438165	150	561761	Br FKM	426340	DN15 - 50
438166	150	561761	Br FKM	426340	DN15 - 50
438167	150	561761	Br FKM	426340	DN15 - 50
438169	150	560906	Br FKM	426340	DN15 - 50
438170	150	560906	Br FKM	426340	DN15 - 50
438171	150	560906	Br FKM	426340	DN15 - 50
438172	150	561761	Br FKM	426340	DN15 - 50
438173	150	561761	Br FKM	426340	DN15 - 50
438174	150	561761	Br FKM	426340	DN15 - 50
438175	150	561761	Br FKM	426340	DN15 - 50
438176	150	561761	Br FKM	426340	DN15 - 50
438178	150	560906	Br FKM	426340	DN15 - 50
438179	150	560906	Br FKM	426340	DN15 - 50
438180	150	560906	Br FKM	426340	DN15 - 50
438181	150	561761	Br FKM	426340	DN15 - 50
438182	150	561761	Br FKM	426340	DN15 - 50
438183	150	561761	Br FKM	426340	DN15 - 50
438184	150	561761	Br FKM	426340	DN15 - 50
438185	150	561761	Br FKM	426340	DN15 - 50
438187	150	560906	Br FKM	426340	DN15 - 50
438188	150	560906	Br FKM	426340	DN15 - 50
438189	150	560906	Br FKM	426340	DN15 - 50
438199	150	560476	StSt FKM	426340	DN15 - 50
438200	150	560476	StSt FKM	426340	DN15 - 50
438201	150	560476	StSt FKM	426340	DN15 - 50
438202	150	560476	StSt FKM	426340	DN15 - 50
438203	150	560476	StSt FKM	426340	DN15 - 50
438205	150			426340	DN15 - 50
438206	150			426340	DN15 - 50

Ordering Chart

Article no. Complete unit	Diagram no.	Pos. 1 Sensor fittings with seal		Pos. 2 O-Ring set FKM	
		Order no.	Material	Order no.	Orifice
438207	150			426340	DN15 - 50
438208	150	560476	StSt FKM	426340	DN15 - 50
438209	150	560476	StSt FKM	426340	DN15 - 50
438210	150	560476	StSt FKM	426340	DN15 - 50
438211	150	560476	StSt FKM	426340	DN15 - 50
438212	150	560476	StSt FKM	426340	DN15 - 50
438214	150			426340	DN15 - 50
438215	150			426340	DN15 - 50
438216	150			426340	DN15 - 50
438217	150	560476	StSt FKM	426340	DN15 - 50
438218	150	560476	StSt FKM	426340	DN15 - 50
438219	150	560476	StSt FKM	426340	DN15 - 50
438220	150	560476	StSt FKM	426340	DN15 - 50
438221	150	560476	StSt FKM	426340	DN15 - 50
438223	150			426340	DN15 - 50
438224	150			426340	DN15 - 50
438225	150			426340	DN15 - 50
438226	150	560476	StSt FKM	426340	DN15 - 50
438227	150	560476	StSt FKM	426340	DN15 - 50
438235	150	560476	StSt FKM	426340	DN15 - 50
438237	150	560476	StSt FKM	426340	DN15 - 50
438243	150			426340	DN15 - 50
438244	150	560476	StSt FKM	426340	DN15 - 50
438245	150	560476	StSt FKM	426340	DN15 - 50
438270	150			426340	DN15 - 50

Sensor fitting





Insertion fitting for flow measurements

Diagram 151

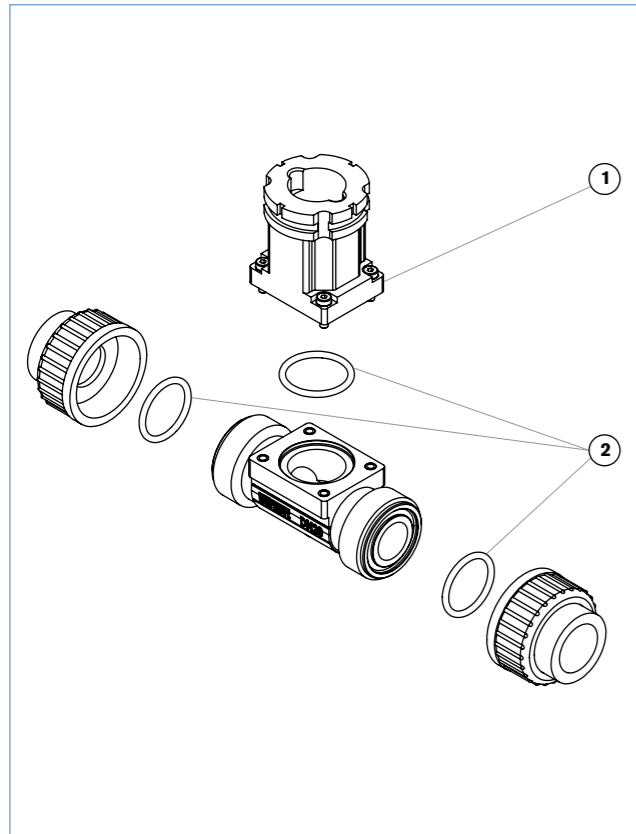
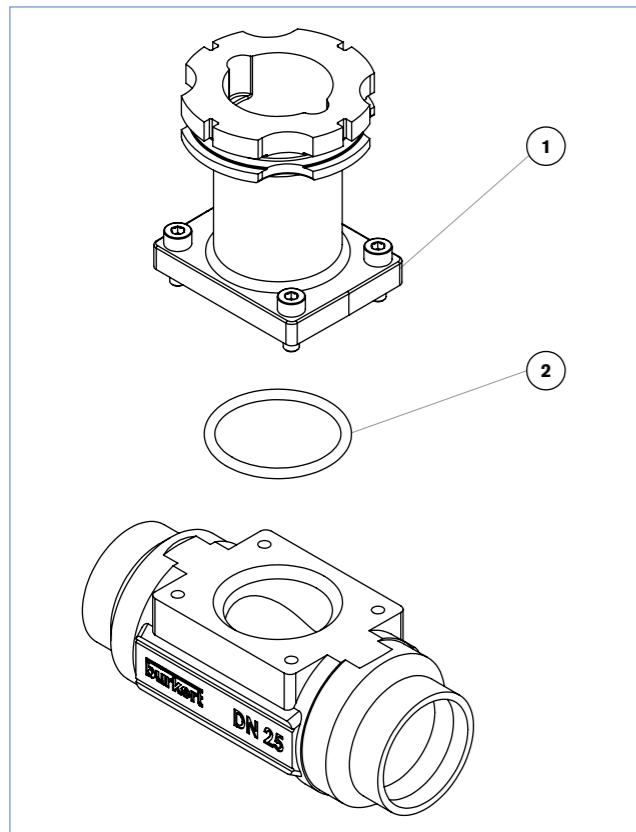


Diagram 152



Ordering Chart

Article no. Complete unit	Diagram no.	Pos. 1 Intermediate support		Pos. 2 O-Ring set	
		Order no.	Material	Order no.	Material
428670	151	561175	PVC	431555	FKM
428671	151	561175	PVC	431556	FKM
428672	151	561175	PVC	431557	FKM
428673	151	561175	PVC	431558	FKM
428674	151	561175	PVC	431559	FKM
428675	151	561175	PVC	431560	FKM
428676	151	561175	PVC	561043	FKM
428677	151	561175	PVC	561043	FKM
428678	151	561175	PVC	561043	FKM
428679	151	561175	PVC	561043	FKM
428680	151	561175	PVC	561043	FKM
428681	151	561175	PVC	561043	FKM
428682	151	561175	PVC	431555	FKM
428683	151	561175	PVC	431556	FKM
428684	151	561175	PVC	431557	FKM
428685	151	561175	PVC	431558	FKM
428686	151	561175	PVC	431559	FKM
428687	151	561175	PVC	431560	FKM
428688	151	561176	PP	431555	FKM
428689	151	561176	PP	431556	FKM
428690	151	561176	PP	431557	FKM
428691	151	561176	PP	431558	FKM
428692	151	561176	PP	431559	FKM
428693	151	561176	PP	431560	FKM
428694	151	561176	PP	561043	FKM
428695	151	561176	PP	561043	FKM
428696	151	561176	PP	561043	FKM
428697	151	561176	PP	561043	FKM
428698	151	561176	PP	561043	FKM
428699	151	561176	PP	561043	FKM
428700	151	561177	PVDF	431555	FKM
428701	151	561177	PVDF	431556	FKM
428702	151	561177	PVDF	431557	FKM
428703	151	561177	PVDF	431558	FKM
428704	151	561177	PVDF	431559	FKM
428705	151	561177	PVDF	431560	FKM
428708	151	561177	PVDF	561043	FKM
428709	151	561177	PVDF	561043	FKM
428710	151	561177	PVDF	561043	FKM
428711	151	561177	PVDF	561043	FKM
428712	152	555484	StSt	428971	FKM
428713	152	555484	StSt	428971	FKM
428714	152	555484	StSt	428971	FKM
428715	152	555484	StSt	428971	FKM
428716	152	555484	StSt	428971	FKM
428717	152	555484	StSt	428971	FKM
428718	152	555484	StSt	428971	FKM
428719	152	555484	StSt	428971	FKM
428720	152	555484	StSt	428971	FKM
428721	152	555484	StSt	428971	FKM
428722	152	555484	StSt	428971	FKM
428723	152	555484	StSt	428971	FKM
428724	152	555484	StSt	428971	FKM
428725	152	555484	StSt	428971	FKM
428726	152	555484	StSt	428971	FKM
428727	152	555484	StSt	428971	FKM
428728	152	555484	StSt	428971	FKM
428729	152	555484	StSt	428971	FKM
428730	152	555484	StSt	428971	FKM
428731	152	555484	StSt	428971	FKM
428732	152	555484	StSt	428971	FKM
428733	152	555484	StSt	428971	FKM
428734	152	555484	StSt	428971	FKM
428735	152	555484	StSt	428971	FKM

Insertion fitting for flow measurements



Ordering Chart

Article no. Complete unit	Diagram no.	Pos. 1 Intermediate support		Pos. 2 O-Ring set	
		Order no.	Material	Order no.	Material
428736	152	555484	StSt	428971	FKM
428737	152	555484	StSt	428971	FKM
428738	152	555484	StSt	428971	FKM
428739	152	555484	StSt	428971	FKM
428740	152	555484	StSt	428971	FKM
428741	152	555484	StSt	428971	FKM
428742	152	555484	StSt	428971	FKM
428743	152	555484	StSt	428971	FKM
428744	152	555484	StSt	428971	FKM
428745	152	555484	StSt	428971	FKM
428746	152	555484	StSt	428971	FKM
428747	152	555484	StSt	428971	FKM
428748	152	555484	StSt	428971	FKM
428749	152	555484	StSt	428971	FKM
428750	152	555484	StSt	428971	FKM
428751	152	555484	StSt	428971	FKM
428752	152	555484	StSt	428971	FKM
428753	152	555484	StSt	428971	FKM
428754	152	555484	StSt	428971	FKM
428755	152	555484	StSt	428971	FKM
428756	152	555484	StSt	428971	FKM
428757	152	555484	StSt	428971	FKM
428758	152	555484	StSt	428971	FKM
428759	152	555484	StSt	428971	FKM
428760	152	555484	StSt	428971	FKM
428761	152	555484	StSt	428971	FKM
428762	152	555484	StSt	428971	FKM
428763	152	555484	StSt	428971	FKM
428764	152	555484	StSt	428971	FKM
428765	152	555484	StSt	428971	FKM
428766	152	555484	StSt	428971	FKM
428767	152	555484	StSt	428971	FKM
428768	152	555484	StSt	428971	FKM
428769	152	555484	StSt	428971	FKM
428770	152	555484	StSt	428971	FKM
428771	152	555484	StSt	428971	FKM
428772	152	555484	StSt	428971	FKM
428773	152	555484	StSt	428971	FKM
428774	152	555484	StSt	428971	FKM
428775	152	555484	StSt	428971	FKM
428776	152	555484	StSt	428971	FKM
428777	152	555484	StSt	428971	FKM
428778	152	555484	StSt	428971	FKM
428779	152	555484	StSt	428971	FKM
428780	152	555484	StSt	428971	FKM
428781	152	555484	StSt	428971	FKM
428782	152	555484	StSt	428971	FKM
428783	152	555484	StSt	428971	FKM
429078	151	561175	PVC	431555	FKM
429079	151	561175	PVC	431556	FKM
429080	151	561175	PVC	431557	FKM
429081	151	561175	PVC	431558	FKM
429082	151	561175	PVC	431559	FKM
429083	151	561175	PVC	431560	FKM
430837	151	561175	PVC	431558	FKM
430838	151	561175	PVC	431558	FKM
430839	151	561175	PVC	431558	FKM
430840	151	561176	PP	431558	FKM
430841	151	561176	PP	431558	FKM
430842	151	561176	PP	431558	FKM
430843	151	561177	PVDF	431558	FKM
430844	151	561177	PVDF	431558	FKM
430845	151	561177	PVDF	431558	FKM
431056	152	555484	StSt	428971	FKM

Article no. Complete unit	Diagram no.	Pos. 1 Intermediate support		Pos. 2 O-Ring set	
		Order no.	Material	Order no.	Material
431058	152	555484	StSt	428971	FKM
443309	152	555484	StSt	428972	EPDM
443310	152	555484	StSt	428972	EPDM
443311	152	555484	StSt	428972	EPDM
443313	152	555484	StSt	428972	EPDM
443314	152	555484	StSt	428972	EPDM
443315	152	555484	StSt	428972	EPDM
443317	152	555484	StSt	428972	EPDM
443318	152	555484	StSt	428972	EPDM
443319	152	555484	StSt	428972	EPDM
443734	152	555484	StSt	428972	EPDM
443735	152	555484	StSt	428972	EPDM
443736	152	555484	StSt	428972	EPDM
443942	152	555484	StSt	428972	EPDM
443943	152	555484	StSt	428972	EPDM
443944	152	555484	StSt	428972	EPDM
443957	152	555484	StSt	428972	EPDM
443958	152	555484	StSt	428972	EPDM
443959	152	555484	StSt	428972	EPDM
443965	152	555484	StSt	428972	EPDM
443966	152	555484	StSt	428972	EPDM
443967	152	555484	StSt	428972	EPDM
443968	152	555484	StSt	428972	EPDM
443969	152	555484	StSt	428972	EPDM
443970	152	555484	StSt	428972	EPDM
443971	152	555484	StSt	428972	EPDM
443972	152	555484	StSt	428972	EPDM
443973	152	555484	StSt	428972	EPDM
443974	152	555484	StSt	428972	EPDM
550062	151	561175	PVC	561044	EPDM
552170	152	555484	StSt	428971	FKM
552432	152	555484	StSt	428971	FKM
552434	152	555484	StSt	428971	FKM
552561	151	561175	PVC	561044	EPDM
552608	151	561175	PVC	431558	FKM
553306	151	561175	PVC	431556	FKM
553707	151	561175	PVC	431558	FKM
559319	152	555484	StSt	428972	EPDM
559320	152	555484	StSt	428972	EPDM
559717	152	555484	StSt	428972	EPDM
560311	152	555484	StSt	428971	FKM
560807	151	561176	PP	431560	FKM
561400	152	555484	StSt	428971	FKM
561782	152	555484	StSt	428972	EPDM
561938	152	555484	StSt	428972	EPDM
562463	152	555484	StSt	428971	FKM



Universal adapter

Diagram 153

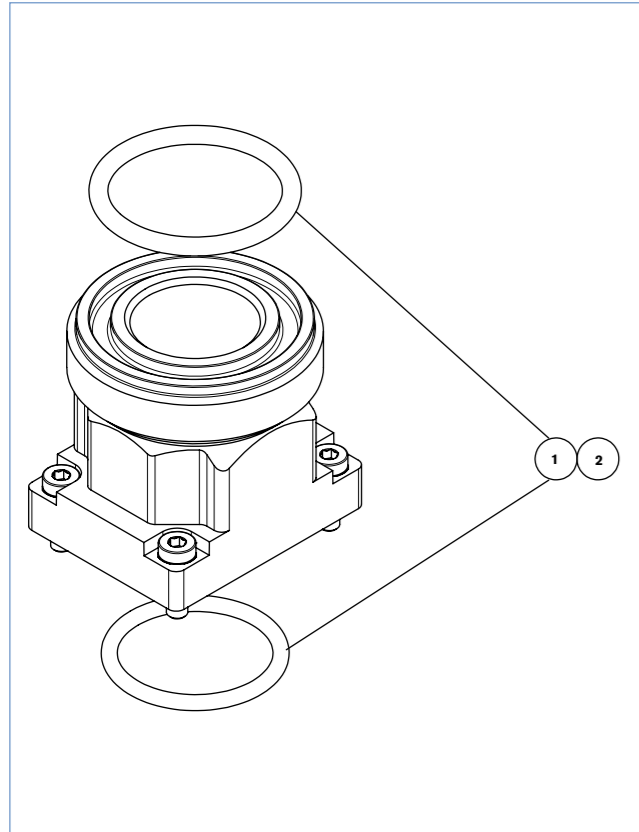


Diagram 155

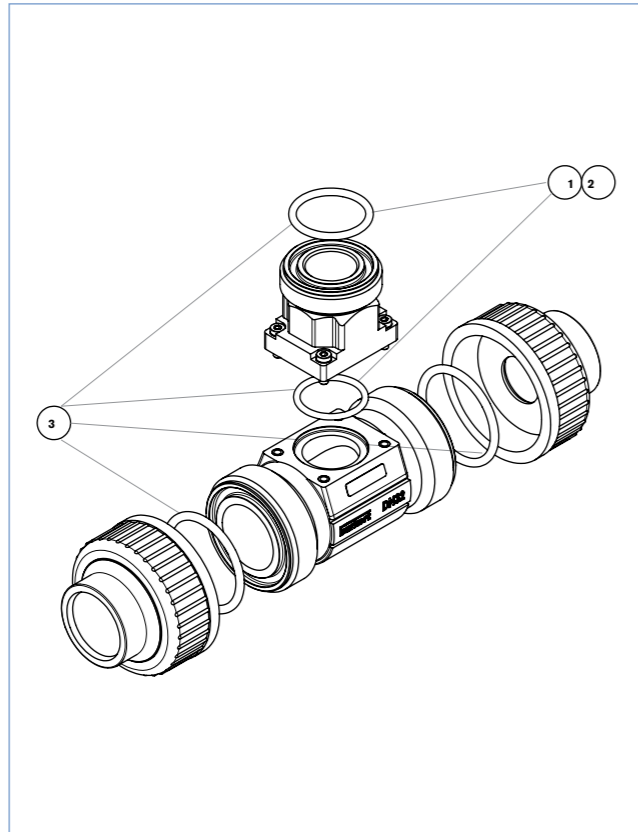
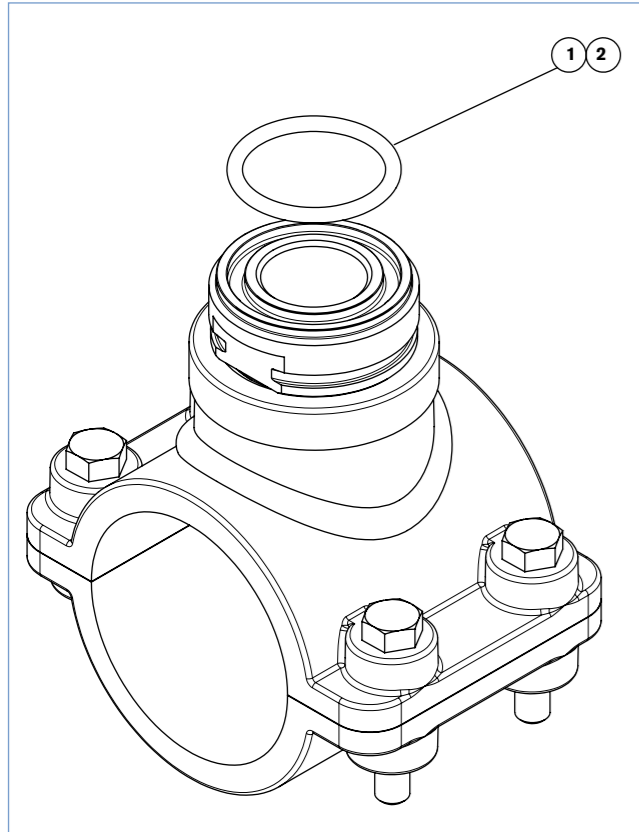


Diagram 154



Universal adapter



Stock of spare parts

For customers with maintenance contracts we stock the spare parts free of charge. This enables us to fix your fault in no time.

Ordering Chart

Article no. Complete unit	Diagram no.	Pos. 1	Pos. 2	Pos. 3	
		FKM Seals Order no.	EPDM Seals Order no.	FKM Seal set Order no. Orifice	
559640	155	561399			
559641	155	561399			
559642	155	561399			
559643	155	561399			
559644	155	561399			
559645	155	561399			
559646	155	561399			
559647	155	561399			
559648	155	561399			
559649	155	561399			
560671	155	561399		431558	DN32
560672	155	561399		431558	DN32
560673	155	561399		431558	DN32
560674	155	561399		431558	DN32
560675	155	561399		431559	DN40
560676	155	561399		431560	DN50
560691	155	561399		431558	DN32
560692	155	561399		431558	DN32
560693	155	561399		431558	DN32
560694	155	561399		431558	DN32
560695	155	561399		431559	DN40
560696	155	561399		431560	DN50
560700	154		561398		
560701	154		561398		
560702	154		561398		
560703	154		561398		
560704	154		561398		
560705	153	561399	561398		
560706	153	561399	561398		
560707	153	561399	561398		
560815	155	561399			
560816	155	561399			
560817	155	561399			
560818	155	561399			
560819	155	561399			
560820	155	561399			
560821	155	561399			
560822	155	561399			
560854	153	561399	561398		
561227	153	561399	561398		
561228	153	561399	561398		
561229	153	561399	561398		
561230	153	561399	561398		
561232	153	561399	561398		
561233	153	561399	561398		
563552	155	561399			





Inline fitting for flow measurements with integral paddle wheel

Diagram 156

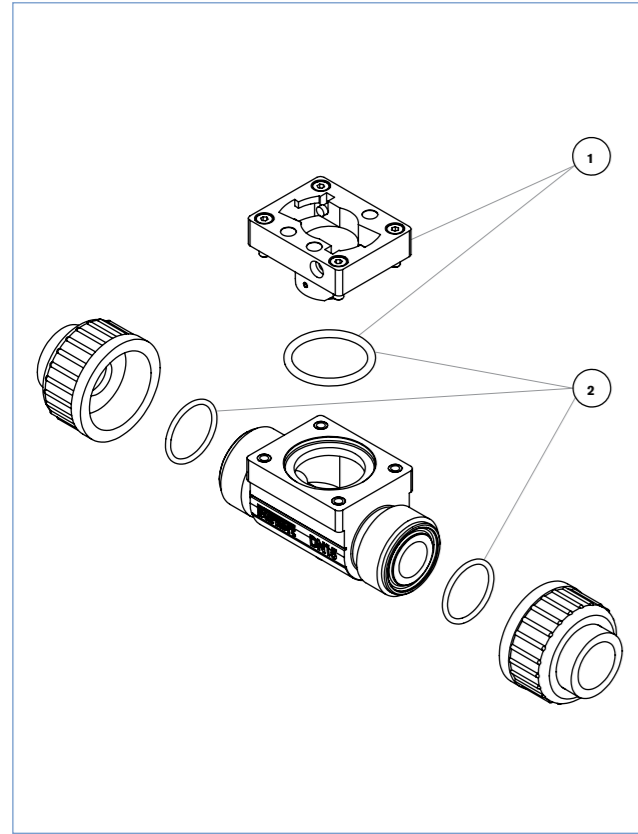
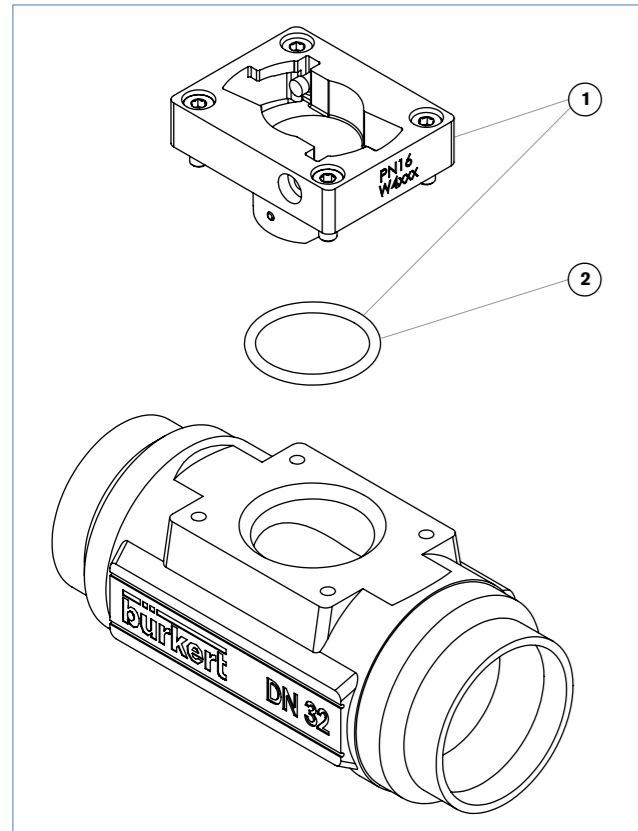


Diagram 157



Ordering Chart

Article no. Complete unit	Diagram no.	Pos. 1 Sensor fittings with seal		Pos. 2 O-Ring set	
		Order no.	Material	Order no.	Material
423939	156	432298	PVC, FKM	431556	FKM
423940	156	432298	PVC, FKM	431557	FKM
423941	156	432298	PVC, FKM	431558	FKM
423942	156	432298	PVC, FKM	431559	FKM
423943	156	432298	PVC, FKM	431560	FKM
423945	156	432298	PVC, FKM	561043	FKM
423946	156	432298	PVC, FKM	561043	FKM
423947	156	432298	PVC, FKM	561043	FKM
423948	156	432298	PVC, FKM	561043	FKM
423949	156	432298	PVC, FKM	561043	FKM
423951	156	432298	PVC, FKM	431556	FKM
423952	156	432298	PVC, FKM	431557	FKM
423953	156	432298	PVC, FKM	431558	FKM
423954	156	432298	PVC, FKM	431559	FKM
423955	156	432298	PVC, FKM	431560	FKM
423957	156	432300	PP, FKM	431556	FKM
423958	156	432300	PP, FKM	431557	FKM
423959	156	432300	PP, FKM	431558	FKM
423960	156	432300	PP, FKM	431559	FKM
423961	156	432300	PP, FKM	431560	FKM
423963	156	432300	PP, FKM	561043	FKM
423964	156	432300	PP, FKM	561043	FKM
423965	156	432300	PP, FKM	561043	FKM
423966	156	432300	PP, FKM	561043	FKM
423967	156	432300	PP, FKM	561043	FKM
423969	156	432302	PVDF, FKM	431556	FKM
423970	156	432302	PVDF, FKM	431557	FKM
423971	156	432302	PVDF, FKM	431558	FKM
423972	156	432302	PVDF, FKM	431559	FKM
423973	156	432302	PVDF, FKM	431560	FKM
423975	156	432302	PVDF, FKM	561043	FKM
423976	156	432302	PVDF, FKM	561043	FKM
423977	156	432302	PVDF, FKM	561043	FKM
423978	156	432302	PVDF, FKM	561043	FKM
423979	156	432302	PVDF, FKM	561043	FKM
423981	157	432304	Br, FKM	426340	FKM
423982	157	432304	Br, FKM	426340	FKM
423983	157	432304	Br, FKM	426340	FKM
423984	157	432304	Br, FKM	426340	FKM
423985	157	432304	Br, FKM	426340	FKM
423987	157	432304	Br, FKM	426340	FKM
423988	157	432304	Br, FKM	426340	FKM
423989	157	432304	Br, FKM	426340	FKM
423990	157	432304	Br, FKM	426340	FKM
423991	157	432304	Br, FKM	426340	FKM
423993	157	432304	Br, FKM	426340	FKM
423994	157	432304	Br, FKM	426340	FKM
423995	157	432304	Br, FKM	426340	FKM
423996	157	432304	Br, FKM	426340	FKM
423997	157	432304	Br, FKM	426340	FKM
423999	157	432304	Br, FKM	426340	FKM
424000	157	432304	Br, FKM	426340	FKM
424001	157	432304	Br, FKM	426340	FKM
424002	157	432304	Br, FKM	426340	FKM
424003	157	432304	Br, FKM	426340	FKM
424005	157	432306	StSt, FKM	426340	FKM
424006	157	432306	StSt, FKM	426340	FKM
424007	157	432306	StSt, FKM	426340	FKM
424008	157	432306	StSt, FKM	426340	FKM
424009	157	432306	StSt, FKM	426340	FKM
424011	157	432306	StSt, FKM	426340	FKM
424012	157	432306	StSt, FKM	426340	FKM
424013	157	432306	StSt, FKM	426340	FKM
424014	157	432306	StSt, FKM	426340	FKM
424015	157	432306	StSt, FKM	426340	FKM
424017	157	432306	StSt, FKM	426340	FKM
424018	157	432306	StSt, FKM	426340	FKM

Article no. Complete unit	Diagram no.	Pos. 1 Sensor fittings with seal		Pos. 2 O-Ring set	
		Order no.	Material	Order no.	Material
424019	157	432306	StSt, FKM	426340	FKM
424020	157	432306	StSt, FKM	426340	FKM
424021	157	432306	StSt, FKM	426340	FKM
424023	157	432306	StSt, FKM	426340	FKM
424024	157	432306	StSt, FKM	426340	FKM
424025	157	432306	StSt, FKM	426340	FKM
424026	157	432306	StSt, FKM	426340	FKM
424027	157	432306	StSt, FKM	426340	FKM
424029	157	432306	StSt, FKM	426340	FKM
424030	157	432306	StSt, FKM	426340	FKM
424031	157	432306	StSt, FKM	426340	FKM
424032	157	432306	StSt, FKM	426340	FKM
424033	157	432306	StSt, FKM	426340	FKM
424035	157	432306	StSt, FKM	426340	FKM
424036	157	432306	StSt, FKM	426340	FKM
424037	157	432306	StSt, FKM	426340	FKM
424038	157	432306	StSt, FKM	426340	FKM
424039	157	432306	StSt, FKM	426340	FKM
424041	157	432306	StSt, FKM	426340	FKM
424042	157	432306	StSt, FKM	426340	FKM
424043	157	432306	StSt, FKM	426340	FKM
424044	157	432306	StSt, FKM	426340	FKM
424045	157	432306	StSt, FKM	426340	FKM
424047	157	432306	StSt, FKM	426340	FKM
424048	157	432306	StSt, FKM	426340	FKM
424049	157	432306	StSt, FKM	426340	FKM
424050	157	432306	StSt, FKM	426340	FKM
424051	157	432306	StSt, FKM	426340	FKM
425729	157	433125	StSt, FKM	426340	FKM
425737	157	433125	StSt, FKM	426340	FKM
427152	157	433125	StSt, FKM	426340	FKM
427153	157	433125	StSt, FKM	426340	FKM
427154	157	433125	StSt, FKM	426340	FKM
429073	156	432298	PVC, FKM	431556	FKM
429074	156	432298	PVC, FKM	431557	FKM
429075	156	432298	PVC, FKM	431558	FKM
429076	156	432298	PVC, FKM	431559	FKM
429077	156	432298	PVC, FKM	431560	FKM
430109	157	432306	StSt, FKM	426340	FKM
430110	157	432306	StSt, FKM	426340	FKM
430111	157	432306	StSt, FKM	426340	FKM
430112	157	432306	StSt, FKM	426340	FKM
430113	157	432306	StSt, FKM	426340	FKM
430735	156	432298	PVC, FKM	431556	FKM
430736	156	432298	PVC, FKM	431557	FKM
430737	156	432298	PVC, FKM	431558	FKM
430738	156	432298	PVC, FKM	431559	FKM
430739	156	432298	PVC, FKM	431560	FKM
430741	156	432297	PVC, EPDM	431562	EPDM
430742	156	432297	PVC, EPDM	431563	EPDM
430743	156	432297	PVC, EPDM	431564	EPDM
430744	156	432297	PVC, EPDM	431565	EPDM
430745	156	432297	PVC, EPDM	431566	EPDM
432154	157			426340	FKM
432156	157	434149	StSt, FKM	426340	FKM
433682	156	432300	PP, FKM	431557	FKM
439484	156	432297	PVC, EPDM	431561	EPDM
442782	157	449425	StSt, EPDM	426341	EPDM
443298	157	432305	StSt, EPDM	426341	EPDM
443299	157	432305	StSt, EPDM	426341	EPDM
443300	157	432305	StSt, EPDM	426341	EPDM
443302	157	432305	StSt, EPDM	426341	EPDM
443303	157	432305	StSt, EPDM	426341	EPDM
443304	157	432305	StSt, EPDM	426341	EPDM
443306	157	432305	StSt, EPDM	426341	EPDM
443307	157	432305	StSt, EPDM	426341	EPDM
443308	157	432305	StSt, EPDM	426341	EPDM

Ordering Chart

Article no. Complete unit	Diagram no.	Pos. 1 Sensor fittings with seal		Pos. 2 O-Ring set	
		Order no.	Material	Order no.	Material
443361	157	434149	StSt, EPDM	426341	EPDM
443362	157			426341	FKM
443363	157	434149	StSt, EPDM	426341	EPDM
443369	157	432305	StSt, EPDM	426341	EPDM
443370	157	432305	StSt, EPDM	426341	EPDM
443371	157	432305	StSt, EPDM	426341	EPDM
443372	157	432305	StSt, EPDM	426341	EPDM
443373	157	432305	StSt, EPDM	426341	EPDM
443374	157	432305	StSt, EPDM	426341	EPDM
443375	157	432305	StSt, EPDM	426341	EPDM
443377	157	434149	StSt, EPDM	426341	EPDM
443387	157	434149	StSt, EPDM	426341	EPDM
443388	157	434149	StSt, EPDM	426341	EPDM
443389	157	434149	StSt, EPDM	426341	EPDM
443395	157	432305	StSt, EPDM	426341	EPDM
443396	157	432305	StSt, EPDM	426341	EPDM
443397	157	432305	StSt, EPDM	426341	EPDM
443398	157	432305	StSt, EPDM	426341	EPDM
443399	157	432305	StSt, EPDM	426341	EPDM
443400	157	434149	StSt, EPDM	426341	EPDM
443572	156	432297	PVC, EPDM	431562	EPDM
443717	157	434149	StSt, EPDM	426341	EPDM
443718	157	434149	StSt, EPDM	426341	EPDM
443719	157	434149	StSt, EPDM	426341	EPDM
443720	157	434149	StSt, EPDM	426341	EPDM
444022	156	448674	PVC, FKM	448679	FKM
444023	157	448677	Br, FKM	426340	FKM
444025	156	448674	PVC, FKM	448679	FKM
444028	156	448676	PVDF, FKM	448679	FKM
444029	157	448678	StSt, FKM	426340	FKM
448668	157	448677	Br, FKM	426340	FKM
448669	157	448678	StSt, FKM	426340	FKM
448775	156			448680	EPDM
449050	157	448678	StSt, FKM	426340	FKM
449182	157	448677	Br, FKM	426340	FKM
449408	157			426340	FKM
449725	157	449723	StSt, FKM	426340	FKM
449726	157	551764	StSt, FKM	426340	FKM
449727	157	551764	StSt, FKM	426340	FKM
449728	157	551764	StSt, FKM	426340	FKM
449729	157	551764	StSt, FKM	426340	FKM
449730	157	551764	StSt, FKM	426340	FKM
449731	157	551764	StSt, FKM	426340	FKM
449732	157	449723	StSt, FKM	426340	FKM
449733	157	551764	StSt, FKM	426340	FKM
449734	157	551764	StSt, FKM	426340	FKM
449735	157	551764	StSt, FKM	426340	FKM
449736	157	551764	StSt, FKM	426340	FKM
449737	157	551764	StSt, FKM	426340	FKM
449738	157	551764</			



Inline fitting for flow measurements with integral paddle wheel

Ordering Chart

Article no. Complete unit	Diagram no.	Pos. 1 Sensor fittings with seal		Pos. 2 O-Ring set	
		Order no.	Material	Order no.	Material
555354	157	434149	StSt, EPDM	426341	EPDM
555362	157	434149	StSt, EPDM	426341	EPDM
555363	157	434149	StSt, EPDM	426341	EPDM
555364	157	434149	StSt, EPDM	426341	EPDM
555365	157	434149	StSt, EPDM	426341	EPDM
555366	157	434149	StSt, EPDM	426341	EPDM
555367	157	434149	StSt, EPDM	426341	EPDM
555368	156	554703	PVDF, EPDM	431561	EPDM
555369	156	432301	PVDF, EPDM	431561	EPDM
555370	156	432301	PVDF, EPDM	431562	EPDM
555371	156	432301	PVDF, EPDM	431563	EPDM
555372	156	432301	PVDF, EPDM	431564	EPDM
555373	156	432301	PVDF, EPDM	431565	EPDM
555374	156	432301	PVDF, EPDM	431566	EPDM
555383	157	551764	StSt, FKM	426340	FKM
555482	157	433125	StSt, FKM	426340	FKM
555488	157			426341	EPDM
555534	157	551763	StSt, EPDM	426341	EPDM
555557	157	434149	StSt, EPDM	426341	EPDM
555577	157	434149	StSt, EPDM	426341	EPDM
555685	157			426341	EPDM
555694	157			426341	EPDM
555695	157			426341	EPDM
555727	157			426340	FKM
555767	157			426341	EPDM
555815	157			426341	EPDM
555879	157	432305	StSt, EPDM	426340	EPDM
557026	157			426341	EPDM
557027	157	557911	StSt, EPDM	426341	EPDM
557028	157	557911	StSt, EPDM	426341	EPDM
557029	157	557911	StSt, EPDM	426341	EPDM
557030	157	557911	StSt, EPDM	426341	EPDM
557141	157			426340	FKM
557170	157	560192	StSt, EPDM	426341	EPDM
557906	157	434149	StSt, EPDM	426341	EPDM
557920	157	560192	StSt, EPDM	426341	EPDM
558656	157			426341	EPDM
558657	157			426341	EPDM
559138	157	434149	StSt, EPDM	426341	EPDM
559139	157			426341	EPDM
559344	157	551764	StSt, FKM	426340	FKM
559356	157	434149	StSt, EPDM	426341	EPDM
559784	157			426340	FKM
559895	156	432302	PVDF, FKM	431560	FKM
559898	156	432302	PVDF, FKM	431558	FKM
559901	156	432302	PVDF, FKM	431555	FKM
560015	156	432302	PVDF, FKM	431556	FKM
560018	156	432302	PVDF, FKM	431557	FKM
560021	156	432302	PVDF, FKM	431559	FKM
560051	157			426341	EPDM
560079	157			426341	EPDM

Article no. Complete unit	Diagram no.	Pos. 1 Sensor fittings with seal		Pos. 2 O-Ring set	
		Order no.	Material	Order no.	Material
560098	157			426340	FKM
560105	157	551764	StSt, FKM	426340	FKM
560110	157			426340	FKM
560119	157	433125	StSt, FKM	426340	FKM
560334	157	551764	StSt, FKM	426340	FKM
560335	157	551764	StSt, FKM	426340	FKM
560336	157	551764	StSt, FKM	426340	FKM
560337	157	551764	StSt, FKM	426340	FKM
560338	157	551764	StSt, FKM	426340	FKM
560339	157	434149	StSt, EPDM	426341	EPDM
560340	157	434149	StSt, EPDM	426341	EPDM
560341	157			426341	EPDM
560366	157	560192	StSt, EPDM	426341	EPDM
560371	157			426340	FKM
560503	157			426341	EPDM
560522	157	551764	StSt, FKM	426340	FKM
560523	157	551764	StSt, FKM	426340	FKM
560524	157	551764	StSt, FKM	426340	FKM
560525	157	551764	StSt, FKM	426340	FKM
560526	157	551764	StSt, FKM	426340	FKM
560527	157	551764	StSt, FKM	426340	FKM
560606	157	449723	StSt, FKM	426340	FKM
560656	156	432299	PP, EPDM	431562	EPDM
560657	156	432299	PP, EPDM	431563	EPDM
560734	157			426341	EPDM
560747	156	432301	PVDF, EPDM	431566	EPDM
561000	156			448680	EPDM
561012	157	449724	StSt, EPDM	426341	EPDM
561013	157	551763	StSt, EPDM	426341	EPDM
561014	157	551763	StSt, EPDM	426341	EPDM
561015	157	551763	StSt, EPDM	426341	EPDM
561029	156	443982	PVC, EPDM	561044	EPDM
561030	156	443982	PVC, EPDM	561044	EPDM
561031	156	443982	PVC, EPDM	561044	EPDM
561032	156	443982	PP, EPDM	561044	EPDM
561045	157	551764	StSt, FKM	426340	FKM
561046	157	551764	StSt, FKM	426340	FKM
561051	157	434149	StSt, EPDM	426341	EPDM
561125	157			426341	EPDM
561129	157	551764	StSt, FKM	426340	FKM
561133	156	443982	PVC, EPDM	431561	EPDM
561134	156	443982	PVC, EPDM	431562	EPDM
561135	156	443982	PVC, EPDM	431563	EPDM
561136	156	443982	PVC, EPDM	431566	EPDM
561146	157			426341	EPDM
561147	157			426341	EPDM
561181	157	448678	StSt, FKM	426340	FKM
561345	157			426341	EPDM
561355	156	448676	PVDF, FKM	448679	FKM
561378	157			426341	EPDM
561379	157			426341	EPDM

Inline fitting for flow measurements with integral paddle wheel



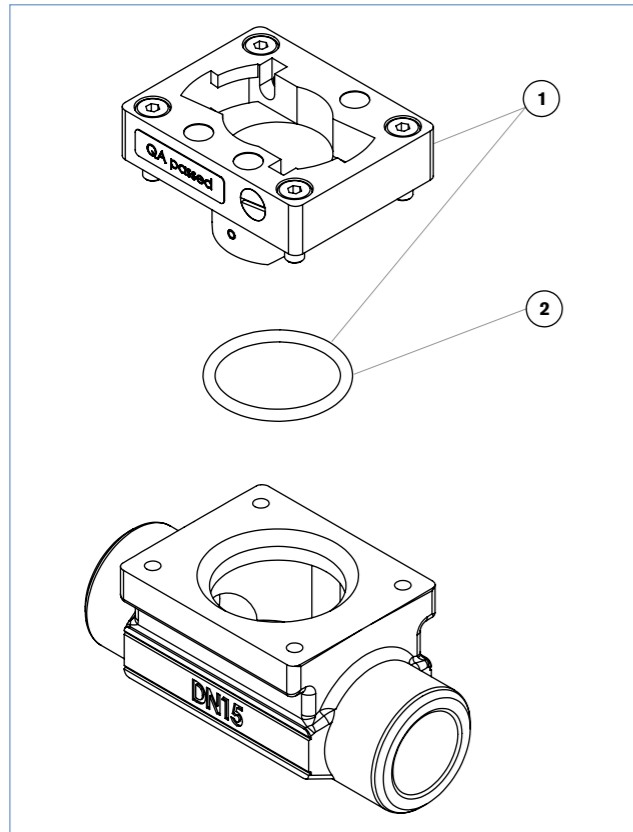
Ordering Chart

Article no. Complete unit	Diagram no.	Pos. 1 Sensor fittings with seal		Pos. 2 O-Ring set	
		Order no.	Material	Order no.	Material
561381	156	443982	PP, EPDM	431564	EPDM
561383	156	443982	PP, EPDM	561044	EPDM
561444	156			448680	EPDM
561508	157	551764	StSt, FKM	426340	FKM
561768	157	449425	StSt, EPDM	426341	EPDM
561775	156	443983	PP, EPDM	431562	EPDM
561895	157	551764	StSt, FKM	426340	FKM
561910	156	448674	PVC, FKM	448679	FKM
562143	156	443983	PP, EPDM	431561	EPDM
562169	157			426340	FKM
562170	157			426340	FKM
562241	157			426340	FKM
562245	157			426341	EPDM
562391	157			426341	EPDM
562421	157	449724	StSt, EPDM	426341	EPDM
562422	157	449425	StSt, EPDM	426341	EPDM
562448	157	449425	StSt, EPDM	426341	EPDM
562461	157	551764	StSt, FKM	426340	FKM
562492	157	560192	StSt, EPDM	426341	EPDM
562495	157	551764	StSt, FKM	426340	FKM
562543	157			426341	EPDM
562544	157			426341	EPDM
562587	157	434149	StSt, EPDM	426341	EPDM
562700	156			431557	FKM
562703	157	432305	StSt, EPDM	426341	EPDM
562892	157	560192	StSt, EPDM	426341	EPDM
563025	157	449425	StSt, EPDM	426341	EPDM
563114	157			426341	EPDM
563133	157	432305	StSt, EPDM	426341	EPDM
563136	157	434149	StSt, EPDM	426341	EPDM
563230	157	449425	StSt, EPDM	426341	EPDM



Flow controller

Diagram 158

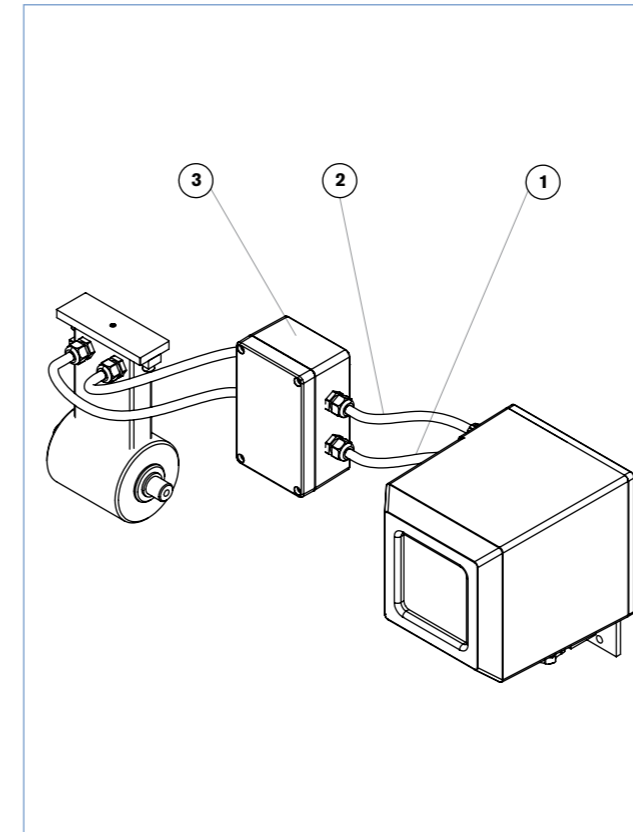


Ordering Chart

Article no. Complete unit	Diagram no.	Pos. 1	Pos. 2
		Sensor fittings Order no.	O-Ring FKM Order no.
440645	158	444657	444655
440646	158	444657	444655
440647	158	444657	444655
440648	158	444657	444655
440649	158	444657	444655
440650	158	444657	444655
444670	158	559602	444655
444671	158	559602	444655
444672	158	444657	444655
444673	158	444657	444655
444674	158	444657	444655
444675	158	444657	444655
444676	158	444657	444655
444677	158	444657	444655
447809	158	444657	444655
447810	158	444657	444655
552414	158	559602	444655
552525	158	559602	444655
552558	158	559602	444655
560120	158	444657	444655
561203	158	559602	444655
561204	158	444657	444655
561482	158	559602	444655
561483	158	559602	444655
561655	158	559602	444655
561656	158	444657	444655
561822	158	444657	444655

Electromagnetic flowmeter fitting
for low flow measurement

Diagram 159



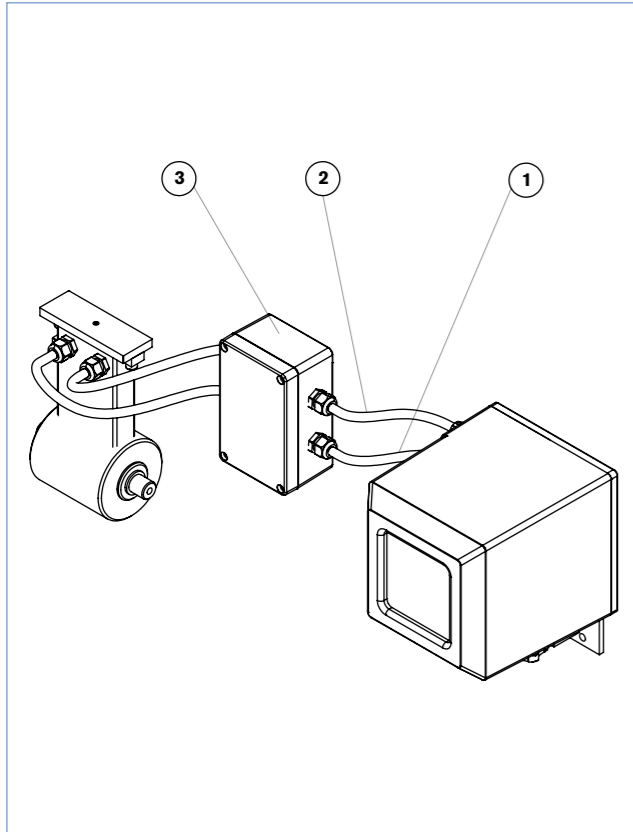
Ordering Chart

Article no. Complete unit	Diagram no.	Pos. 1	Pos. 2	Pos. 3
		10 m Coil cable Order no.	10 m Electrode cable Order no.	Cable extension kit Order no.
448487	159	562852	562851	562853
448488	159	562852	562851	562853
448489	159	562852	562851	562853
448490	159	562852	562851	562853
448491	159	562852	562851	562853
552535	159	562852	562851	562853
553620	159	562852	562851	562853
554102	159	562852	562851	562853
554104	159	562852	562851	562853
554162	159	562852	562851	562853
554529	159	562852	562851	562853
554607	159	562852	562851	562853
555100	159	562852	562851	562853
555907	159	562852	562851	562853
555908	159	562852	562851	562853
557840	159	562852	562851	562853
557865	159	562852	562851	562853
557866	159	562852	562851	562853
558189	159	562852	562851	562853
560096	159	562852	562851	562853
560382	159	562852	562851	562853
560430	159	562852	562851	562853
560439	159	562852	562851	562853
560477	159	562852	562851	562853
561020	159	562852	562851	562853
561075	159	562852	562851	562853
561354	159	562852	562851	562853
561819	159	562852	562851	562853
561935	159	562852	562851	562853
562409	159	562852	562851	562853
562438	159	562852	562851	562853
562456	159	562852	562851	562853
562574	159	562852	562851	562853
562593	159	562852	562851	562853
563854	159	562852	562851	562853



Electromagnetic flowmeter fitting

Diagram 160



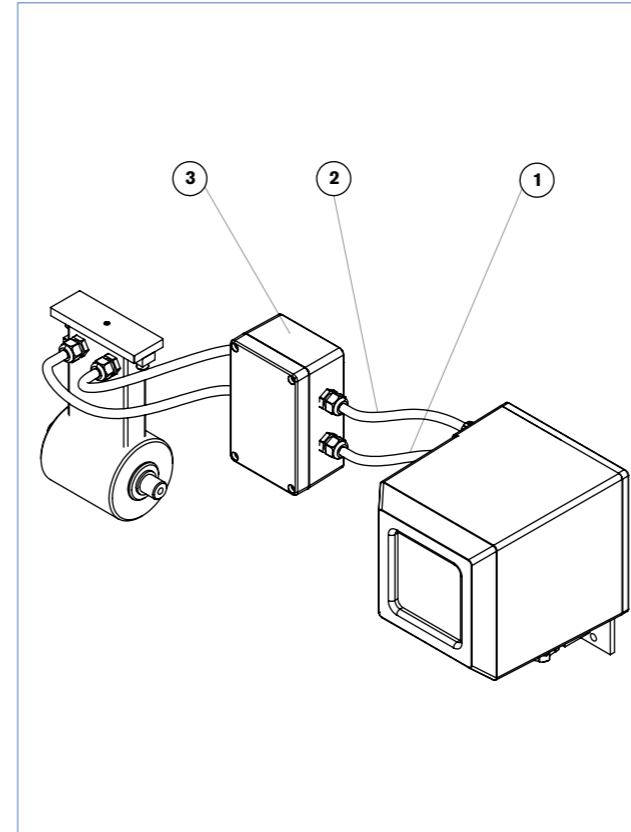
Ordering Chart

Article no. Complete unit	Diagram no.	Pos. 1 10 m Coil cable Order no.	Pos. 2 10 m Electrode cable Order no.	Pos. 3 Cable extension kit Order no.
554065	160	562852	562851	562853
554401	160	562852	562851	562853
554402	160	562852	562851	562853
554758	160	562852	562851	562853
554779	160	562852	562851	562853
554908	160	562852	562851	562853
557801	160	562852	562851	562853
559378	160	562852	562851	562853
560136	160	562852	562851	562853
560383	160	562852	562851	562853
560425	160	562852	562851	562853
560426	160	562852	562851	562853
560427	160	562852	562851	562853
560910	160	562852	562851	562853
561489	160	562852	562851	562853
561703	160	562852	562851	562853
562569	160	562852	562851	562853
562789	160	562852	562851	562853
563348	160	562852	562851	562853

Electromagnetic flowmeter fitting



Diagram 161



Ordering Chart

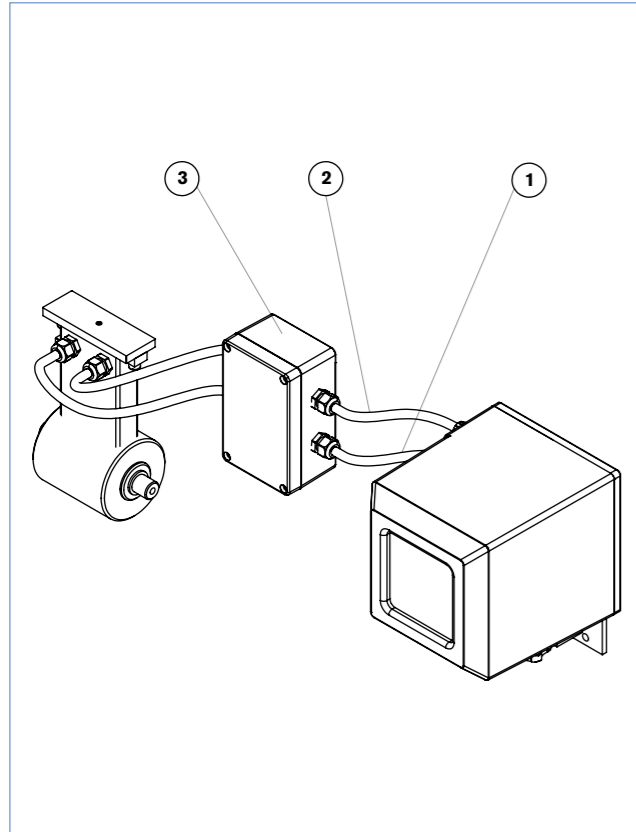
Article no. Complete unit	Diagram no.	Pos. 1 10 m Coil cable Order no.	Pos. 2 10 m Electrode cable Order no.	Pos. 3 Cable extension kit Order no.
448492	161	562852	562851	562853
448493	161	562852	562851	562853
448494	161	562852	562851	562853
448495	161	562852	562851	562853
448496	161	562852	562851	562853
448497	161	562852	562851	562853
448498	161	562852	562851	562853
553331	161	562852	562851	562853
553332	161	562852	562851	562853
553450	161	562852	562851	562853
553451	161	562852	562851	562853
553499	161	562852	562851	562853
553506	161	562852	562851	562853
553508	161	562852	562851	562853
554141	161	562852	562851	562853
554311	161	562852	562851	562853
555101	161	562852	562851	562853
555160	161	562852	562851	562853
555173	161	562852	562851	562853
555666	161	562852	562851	562853
555958	161	562852	562851	562853
557662	161	562852	562851	562853
557668	161	562852	562851	562853
557853	161	562852	562851	562853
557913	161	562852	562851	562853
558146	161	562852	562851	562853
558156	161	562852	562851	562853
558188	161	562852	562851	562853

Article no. Complete unit	Diagram no.	Pos. 1 10 m Coil cable Order no.	Pos. 2 10 m Electrode cable Order no.	Pos. 3 Cable extension kit Order no.
558381	161	562852	562851	562853
558382	161	562852	562851	562853
558778	161	562852	562851	562853
558861	161	562852	562851	562853
559085	161	562852	562851	562853
559590	161	562852	562851	562853
559592	161	562852	562851	562853
559598	161	562852	562851	562853
559599	161	562852	562851	562853
559655	161	562852	562851	562853
559753	161	562852	562851	562853
559986	161	562852	562851	562853
560077	161	562852	562851	562853
560078	161	562852	562851	562853
560099	161	562852	562851	562853
560144	161	562852	562851	562853
560152	161	562852	562851	562853
560354	161	562852	562851	562853
560380	161	562852	562851	562853
560429	161	562852	562851	562853
560446	161	562852	562851	562853
560506	161	562852	562851	562853
560537	161	562852	562851	562853
560650	161	562852	562851	562853
560791	161	562852	562851	562853
560993	161	562852	562851	562853
561016	161	562852	562851	562853
561017	161	562852	562851	562853
561343	161	562852	562851	562853
561421	161	562852	562851	562853
561423	161	562852	562851	562853
561794	161	562852	562851	562853
561900	161	562852	562851	562853
561909	161	562852	562851	562853
561920	161	562852	562851	562853
561932	161	562852	562851	562853
561952	161	562852	562851	562853
561953	161	562852	562851	562853
562048	161	562852	562851	562853
562128	161	562852	562851	562853
562129	161	562852	562851	562853
562136	161	562852	562851	562853
562163	161	562852	562851	562853
562473	161	562852	562851	562853
562474	161	562852	562851	562853
562742	161	562852	562851	562853
562944	161	562852	562851	562853
562945	161	562852	562851	562853
563048	161	562852	562851	562853
563168	161	562852	562851	562853
563169	161	562852	562851	562853
563170	161	562852	562851	562853
563272	161	562852	562851	562853
563273	161	562852	562851	562853
563343	161	562852	562851	562853
563645	161	562852	562851	562853
563646	161	562852	562851	562853
563648	161	562852	562851	562853
563649	161	562852	562851	562853



Electromagnetic flowmeter fitting

Diagram 162



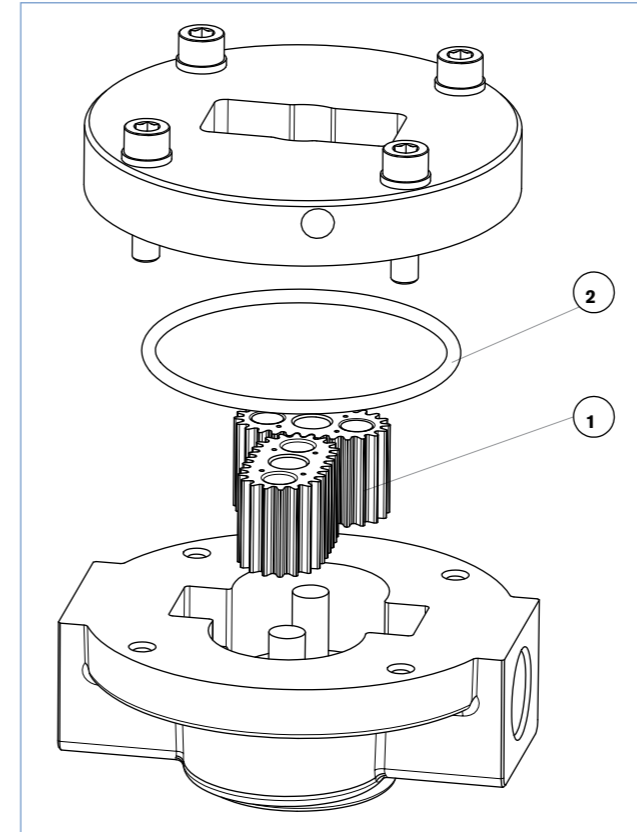
Ordering Chart

Article no. Complete unit	Diagram no.	Pos. 1 10 m Coil cable Order no.	Pos. 2 10 m Electrode cable Order no.	Pos. 3 Cable extension kit Order no.
448480	162	562852	562851	562853
448481	162	562852	562851	562853
448482	162	562852	562851	562853
448483	162	562852	562851	562853
448484	162	562852	562851	562853
448485	162	562852	562851	562853
448486	162	562852	562851	562853
448499	162	562852	562851	562853
448501	162	562852	562851	562853
448502	162	562852	562851	562853
448503	162	562852	562851	562853
448504	162	562852	562851	562853
448505	162	562852	562851	562853
551501	162	562852	562851	562853
551502	162	562852	562851	562853
551503	162	562852	562851	562853
551504	162	562852	562851	562853
551505	162	562852	562851	562853
551509	162	562852	562851	562853
551510	162	562852	562851	562853
551514	162	562852	562851	562853
551515	162	562852	562851	562853
551516	162	562852	562851	562853
552902	162	562852	562851	562853
553925	162	562852	562851	562853
554082	162	562852	562851	562853
554138	162	562852	562851	562853
554147	162	562852	562851	562853
558854	162	562852	562851	562853
559759	162	562852	562851	562853
559787	162	562852	562851	562853
559788	162	562852	562851	562853
559789	162	562852	562851	562853
559790	162	562852	562851	562853
560193	162	562852	562851	562853
560952	162	562852	562851	562853
561835	162	562852	562851	562853
562920	162	562852	562851	562853
562921	162	562852	562851	562853



Fitting for Inline flow measurements

Diagram 163



Ordering Chart

Article no. Complete unit	Diagram no.	Pos. 1 Rotor Set, PPS Order no.	for Size	Pos. 2 FKM O-RING Order no.
443985	163	550933	1/2	550930
443986	163	550937	1	550936
443987	163	550941	1 1/2	550940
443988	163	550941	1 1/2	550940
443989	163	550945	2	550944
443995	163	550933	1/2	550930
443996	163	550937	1	550936
443997	163	550941	1 1/2	550940
443998	163	550941	1 1/2	550940
443999	163	550945	2	550944
553636	163	550937	1	550936
553637	163	550937	1	550936
553640	163	550945	2	550944
553641	163	550945	2	550944

Contents

0131.....	6	8020.....	162
0142.....	8	8022.....	163
0223.....	9	8025.....	164
0253.....	10	8041.....	166
0255.....	11	8045.....	167
0256.....	12	8071.....	168
0262.....	14	8136.....	169
0263.....	15	8137.....	170
0283.....	16	8138.....	171
0290.....	18	8175.....	172
0323.....	21	8176.....	173
0340.....	22	8177.....	174
0343.....	23	8178.....	175
0344.....	24	8185.....	176
0355.....	25	8186.....	178
0404.....	26	8200.....	179
0406.....	28	8202.....	180
0407.....	29	8205.....	182
1062.....	30	8206.....	185
2000.....	32	8220.....	188
2002.....	36	8222.....	190
2012.....	38	8223.....	192
2030.....	41	8225.....	194
2031.....	44	8226.....	196
2712.....	50	8611.....	197
2730.....	56	8619.....	198
2731.....	58	8805.....	200
3232.....	60	SE30.....	202
3233.....	62	SE32.....	203
3234.....	66	SE35.....	204
3235.....	67	SE36.....	205
5281.....	68	SE39.....	206
5282.....	74	S010.....	208
5404.....	77	S020.....	210
5411.....	78	S022.....	212
5413.....	79	S030.....	215
5420.....	80	S039.....	220
6011.....	82	S051.....	221
2051.....	84	S054.....	222
2080.....	85	S055.....	223
2100.....	86	S056.....	224
2101.....	89	S070.....	225
2103.....	90		
2200.....	92		
2300.....	95		
2301.....	103		
2400.....	112		
2655.....	113		
2657.....	114		
2658.....	115		
2702.....	116		
6012.....	118		
6013.....	122		
6014.....	124		
6027.....	127		
6038.....	129		
6211.....	130		
6213.....	133		
6221.....	144		
6240.....	146		
6281 EV.....	148		
6518.....	153		
6519.....	154		
6642.....	156		
8011.....	157		
8012.....	159		